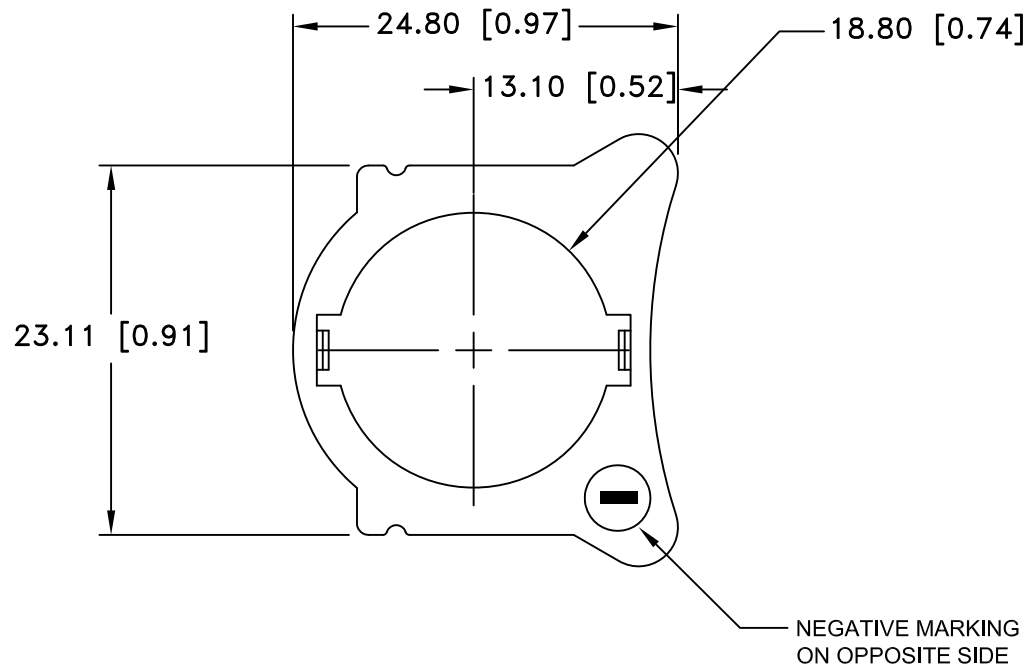
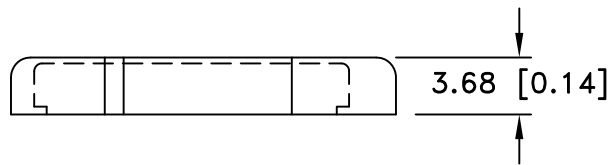


Date	SYM	REVISION RECORD	AUTH	DR.	CK.
07/17/15	A	DIM. 18.80 WAS 14.02	T.B.	B.S.	




INSULATOR



SPECIFICATIONS:

- * Material- Polypropylene, PP-1040, Off White
- * UL Flammability Rating: UL 94-HB
- * ROHS 2 COMPLIANT

Tolerance (Except as noted)	 Memory Protection Devices, Inc 200 Broad Hollow Road, Farmingdale, New York 11735	Scale	Drawn By B.S.
			Approved By T.B.
decimal ±.5 (.020)	Title CR2032 BATTERY INSULATOR		
Fractional ± .8 (.030)	Date 07/17/15	Drawing Number BRX1-0003	
Angular ± 3°			