

Project:	
Type:	
Catalog #:	



## STANDARD



## FEATURES

- Available in 3500k (warm/neutral white), 4000k (neutral white) & 5000k (cool white) color temperatures.\*
- Long-life LEDs provide at least 144,000 hours of operation with at least 70% of initial lumen output (L<sub>70</sub>).\*\*
- Provides 5,240 to 5,323 luminaire lumens, and 120 to 122 lumens per watt.\*
- Uniform illumination with no visible LED pixilation.
- Universal 120-277 AC voltage (50-60Hz) is standard.
- 0-10vdc dimming capability is standard.
- Power factor > 90.
- Total harmonic distortion < 20%.
- Color rendering index > 80.
- Aluminum frame and steel housing backplate.
- PMMA (polymethyl methacrylate) LED lenses for optimal light distribution, efficiency and longevity.
- Easy installation in new construction or retrofit.
- Standard earthquake clips provide secure installation in grid ceilings.
- Standard mounting options include recessed mounting in grid ceilings, or suspended mounting using attached hanging brackets. For mounting in plaster or other hard ceiling, see Mounting Kits.

\* Contact factory for other color temperatures and lumen packages.

\*\* L<sub>70</sub> hours are IES TM-21-11 calculated hours.

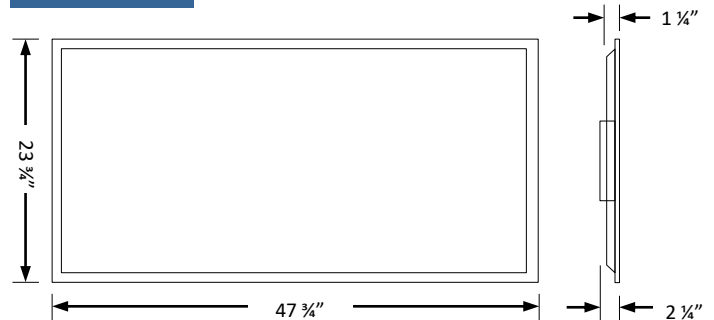
## WARRANTY & LISTINGS

- cULus for damp locations and insulated ceilings (Type IC-rated). Suitable for ambient temperatures from -20°C to 40°C (-4°F to 104°F).
- DLC approved.
- Flicker-free per IEEE1789-2015 (no observable adverse effects of flicker at 100% light output level).
- Complies with RoHS (Restriction on Hazardous Substances) requirements.
- Complies with FCC Part 15, class B.
- Complies with EN61000-4-5, surge immunity protection (1kV).
- 5-year warranty of all electronics and housing.

## MOUNTING KITS

- Optional Surface Mount Kits (SMKT-24) and Flange Mounting Kits (FLANGEKIT24-ET) provide for installation on plaster or other hard ceilings.
- Optional Cable Mounting Kits (CMK) provide additional security, as well as suspended mounting.

## DIMENSIONS



**Weight: 9 lbs.**

## ORDERING INFORMATION

**Example:** CLFPB24-4335-EM20

Series	Nominal Lumens	Color Temperature	Emergency Driver <sup>1,2</sup>		
CLFPB24	43	5,000 lm	EM800 800 lumens EM12 1,200 lumens EM16 1,600 lumens EM20 2,000 lumens EM24 2,400 lumens EC800 800 lumens EC12 1,200 lumens EC16 1,600 lumens EC20 2,000 lumens EC24 2,400 lumens Blank No emergency driver		
		35		3500K	
		40		4000k	
				50	5000k

<sup>1</sup> See list of emergency drivers (page 2).

<sup>2</sup> EC emergency drivers are California Energy Commission (CEC) listed.

## ELECTRICAL DATA

Model	Color Temperature	CRI <sup>1</sup>	Luminaire Lumens	Luminaire Watts	Lumens Per Watt	Input Voltage <sup>2</sup>	Input Current (A)			Power Factor	THD <sup>3</sup>	L <sub>70</sub> Hours <sup>4</sup>
							120V	240V	277V			
CLFPB24-4335	3500K	> 80	5,240	44	120	120-277	0.37	0.18	0.16	> 90%	< 20%	144,000
CLFPB24-4340	4000K	> 80	5,282	44	121	120-277	0.37	0.18	0.16	> 90%	< 20%	144,000
CLFPB24-4350	5000K	> 80	5,323	44	122	120-277	0.37	0.18	0.16	> 90%	< 20%	144,000

<sup>1</sup> Color rendering index.

<sup>2</sup> All 50-60Hz.

<sup>3</sup> Total harmonic distortion.

<sup>4</sup> L<sub>70</sub> refers to the number of hours at which lumen output declines to 70% of the initial level. L<sub>70</sub> hours are IES TM-21-11 calculated hours.

## PHOTOMETRIC DATA

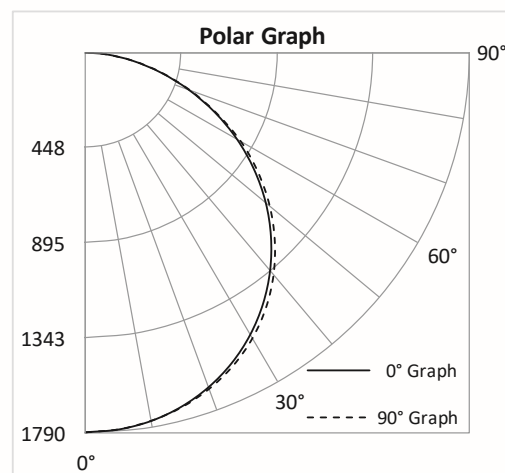
### CLFPB24-4350

#### Luminaire Data

Description	2x4 Back Lit LED Panel - 5K
Total Lumens	5,323
Input Wattage	44
Efficacy (lm/W)	122
Spacing Criterion (0-180°)	1.28
Spacing Criterion (90-270°)	1.30

#### Zonal Lumen Summary

Zone	Lumens	%Fixt
0-20°	658	12.4%
0-30°	1,406	26.4%
0-40°	2,318	43.5%
20-50°	2,615	49.1%
40-70°	2,491	46.8%
0-60°	4,143	77.8%
0-80°	5,202	97.7%
0-90°	5,318	99.9%
90-180°	6	0.1%
0-180°	5,323	100.0%



## COMPATIBLE EMERGENCY DRIVERS

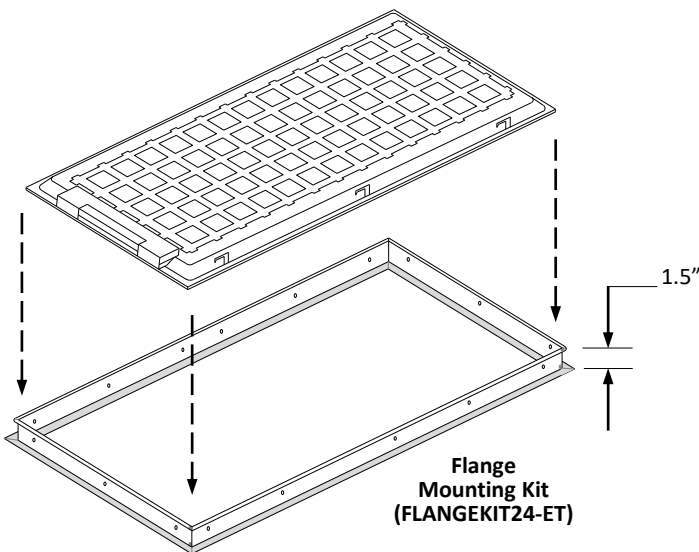
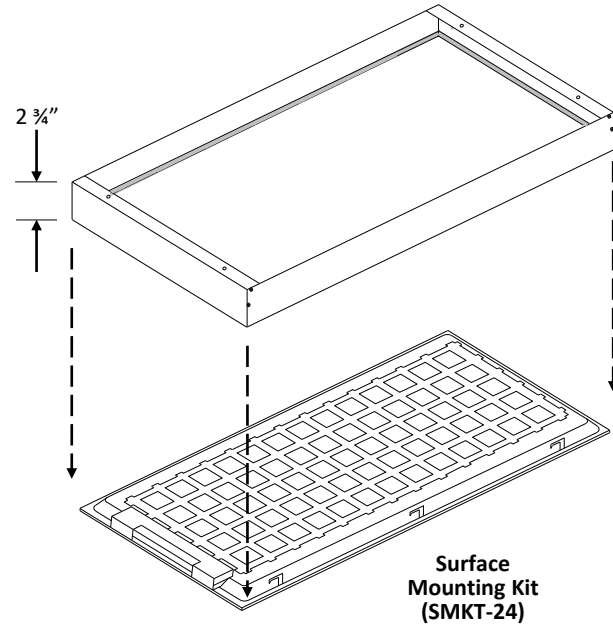
Emergency Driver Part Number	EM800 / EC800		EM12 / EC12		EM16 / EC16		EM20 / EC20		EM24 / EC24		Runtime
Model	Watts	EM Lumens	Watts	EM Lumens	Watts	EM Lumens	Watts	EM Lumens	Watts	EM Lumens	
CLFPB22	5.0	590	7.8	920	10.7	1263	13.7	1617	17.0	2006	90 MINS.
CLFPB24	5.0	600	7.8	936	10.7	1284	13.7	1644	17.0	2040	
CLFPB14-PRM	5.0	640	7.8	998	10.7	1370	13.7	1754	17.0	2176	
CLFPB22-PRM	5.0	645	7.8	1006	10.7	1380	13.7	1767	17.0	2193	
CLFPB24-PRM	5.0	655	7.8	1022	10.7	1402	13.7	1795	17.0	2227	
CLFPB24-PRM (HIGH LUMEN)	5.0	655	7.8	1022	10.7	1402	13.7	1795	17.0	2227	

## Compatible Dimmers

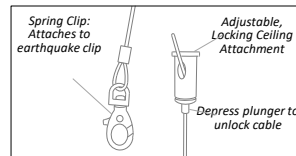
Manufacture	Model Number	Dimming Range	Load Switching Capacity
Lutron	DVSTV	10%-100%	450W
Leviton	IP710-LFZ	10%-100%	1200W
General Protecht	DMD-LED3-102	10%-100%	600W

## MOUNTING MEANS – ORDER SEPERATATLY

- Optional surface mounting kits (SMKT-24) mounts below the ceiling.
- Optional flange mounting kits provide for recessed installation on plaster or other hard ceilings. Attach Flange Mount Kit (FLANGEKIT24-ET) to ceiling joists or other stationary structures, and the panel is mounted flush to the ceiling.
- Optional cable mounting kits provide additional security, as well as suspended mounting. Attach one end of the Cable Mount Kit (CMK) to luminaire earthquake clips using spring clips, and attach the other end to stationary structures using the adjustable, locking ceiling attachment (see picture below right).



### Cable Mounting Kit (-CMK)



### Cable Mount Kit:

- Spring Clip
- Adjustable, locking ceiling attachment