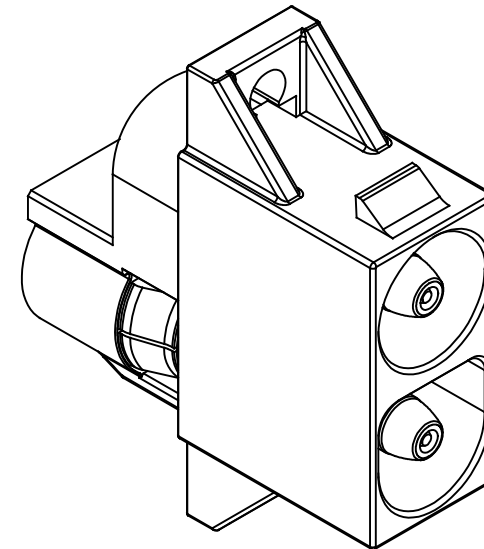
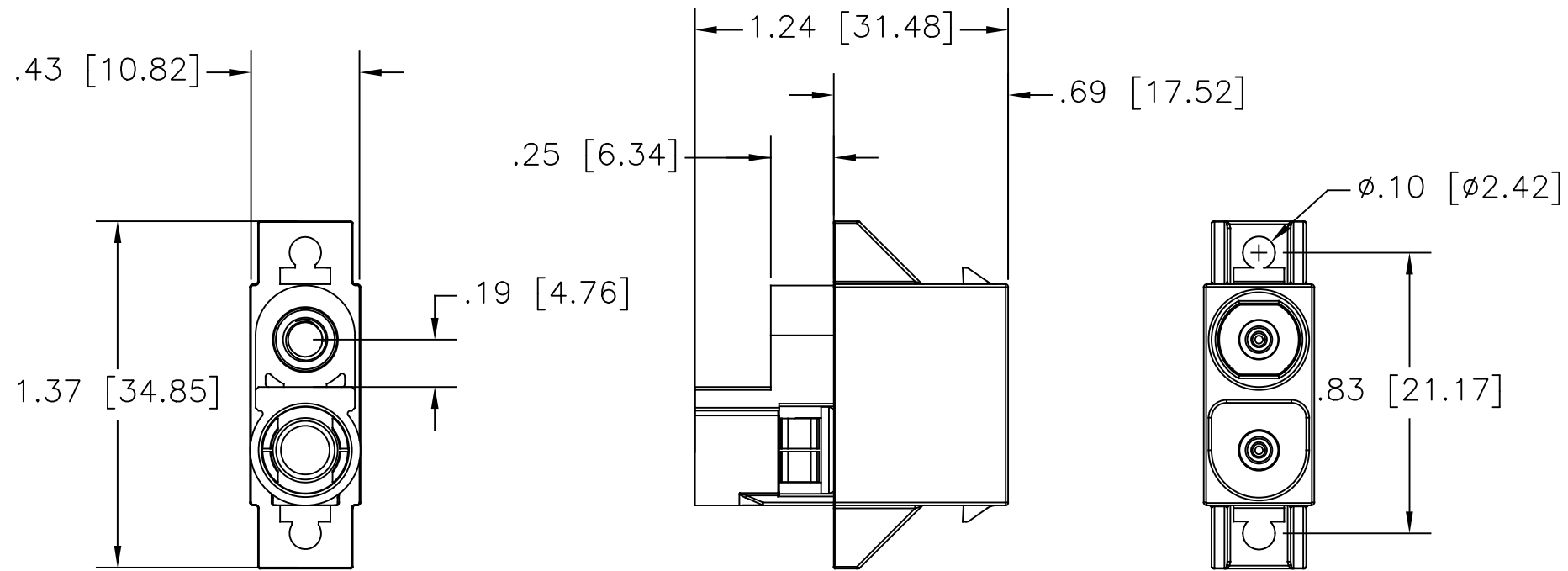
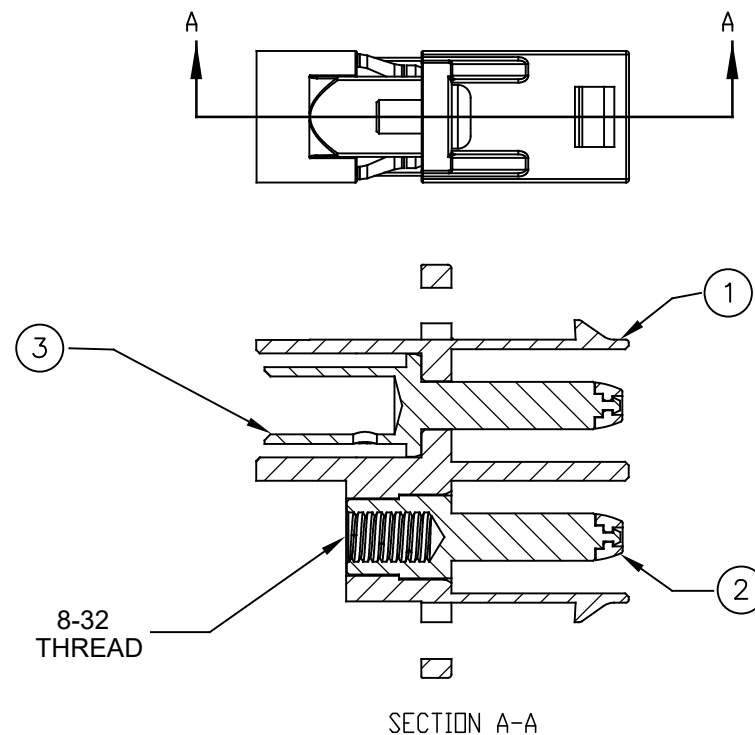


REVISIONS					
REV	ECD	DESCRIPTION	DATE	BY	APPR
A1	-	INITIAL RELEASE	4JAN 20	TZ	-



NOTES:

- CONTACT BARREL RANGE: 8AWG TO 10AWG
- RECOMMENDED CRIMP TOOLS:
HAND CRIMPER: DANIELS M300BT
- MATERIALS:
HOUSING BODY: GF PA 6/6
CONTACT: COPPER ALLOY / SILVER PLATED
- ELECTRICAL DATA:
a) CURRENT (MAX): 70A
b) VOLTAGE (MAX): 250V DC
- TECHNICAL DATA:
a) TEMPERATURE RANGE: -40°C TO 125°C
b) MATING CYCLES: >500
- RoHS COMPLIANT
- UL 94 V-0 FLAME RATING



COMPONENTS CAN BE PURCHASED SERARATELY

QUANTITY	PART NUMBER	DESCRIPTION	ITEM
1	SC000531-8	4MM PIN, 8AWG CRIMPED	3
1	SC000530	4MM PIN, THREADED	2
1	PL-000727	PANEL SIDE, PLASTIC	1

MATERIALS LIST

UNLESS OTHERWISE SPECIFIED		SIGNATURES	DATE	Amphenol	
1) All dimensions are in metric(mm). 2) Tolerances are as follows: 1 PL DEC ±0.30 2 PL DEC ±0.15 3 PL DEC ±0.08		DRAWN: TZ	1JAN20	Sine Systems - www.amphenol-sine.com 44724 Morley Drive Clinton Township, MI 48036	
3) Note reference = $\triangle X$		CHECKED:			
MATERIAL SPECIFICATIONS:		ENGINEER:			
PROCESS SPECIFICATIONS:		APPROVAL:			
NEXT ASSY:		CUSTOMER:		KIT, 2 POSN, MALE RECPT, PINPRM SERIES™ MACH CONT, MATES WITH PRM0400-GX-PLG	
		THIS DRAWING IS SUPPLIED FOR INFORMATION ONLY. DESIGN FEATURES, SPECIFICATIONS AND PERFORMANCE DATA SHOWN HEREON ARE THE PROPERTY OF THE AMPHENOL CORPORATION. NO RIGHTS OF REPRODUCTION ARE IMPLIED. ALL DIMENSIONS ARE SUBJECT TO NORMAL MANUFACTURING VARIATIONS.		SIZE: B	TYPE: C-
				DWG NO: PRM0400-G3-PNL	REVISION: A1
				SCALE: NONE	SHEET 1 OF 1



TITLE: KIT, 2 POSN, MALE RECPT, PINPRM SERIES?

DWG NO:

REV: A1

SH: 1

DF: 1