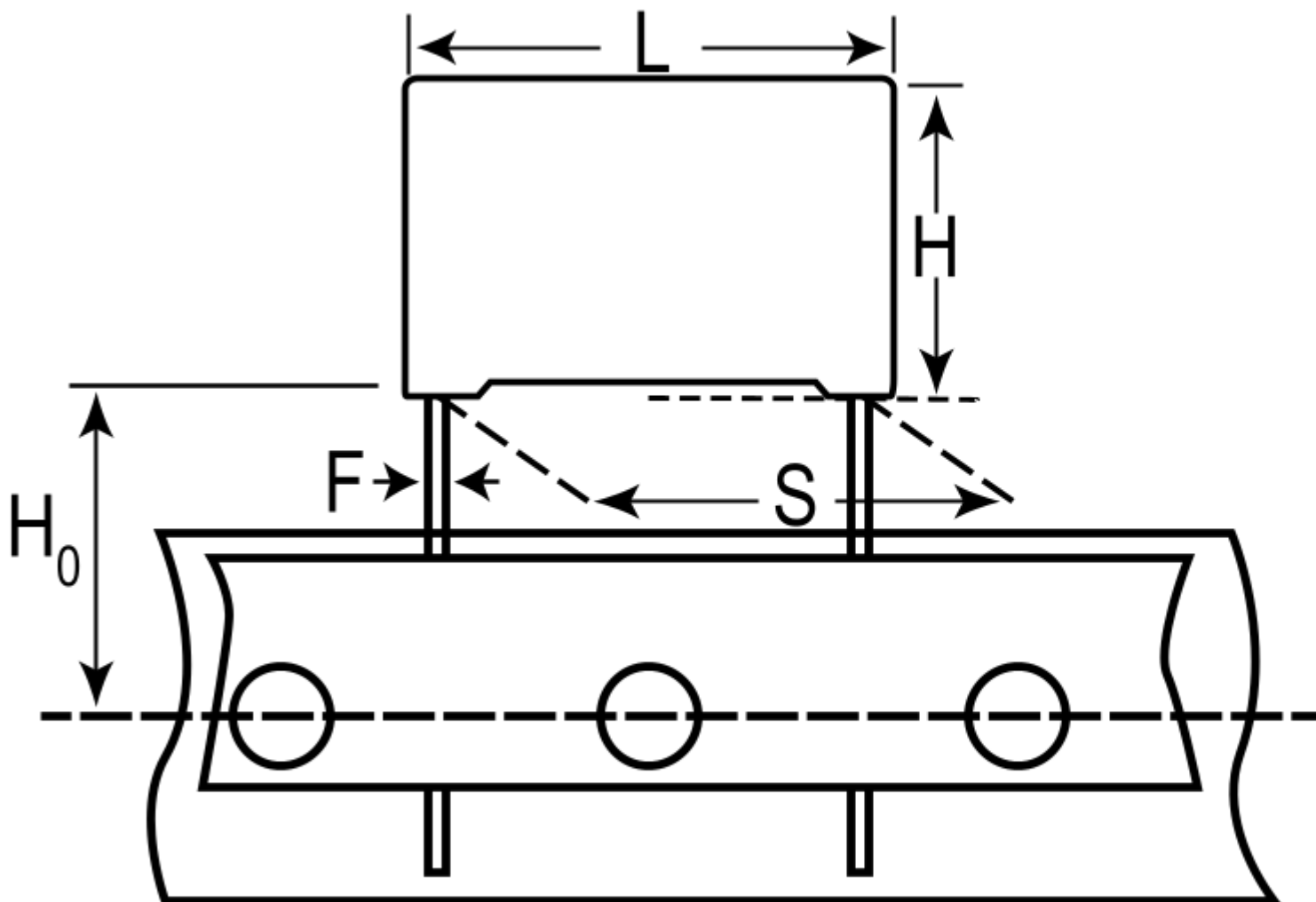


R71VI3220DQ30K

Aliases (71VI3220DQ30K)

R71, Film, Metallized Polypropylene, General Purpose, 0.22 μ F, 10%, 520 VDC, 105°C, Lead Spacing = 15mm



Click [here](#) for the 3D model.

Dimensions

L 18mm +0.3/-0.5mm

H 12mm +0.1/-0.5mm

Dimensions

T 6mm +0.2/-0.5mm
S 15mm +/-0.4mm
H0 18.5mm +/-0.5mm
F 0.6mm +/-0.05mm

Packaging Specifications

Packaging Ammo, 360x340x59mm, Box
Packaging Quantity 680

General Information

Series R71
Dielectric Metallized Polypropylene
Style Radial
Features PFC and Pulse
RoHS Yes
Lead Wire Leads
AEC-Q200 No
Component Weight 1.931 g
Miscellaneous Above 105C DC And AC Voltage Derating Is 4%/C.

Specifications

Capacitance 0.22 uF
Capacitance Tolerance 10%
Voltage AC 250 VAC
Voltage DC 520 VDC
Temperature Range -40/+110°C
Rated Temperature 105°C
Dissipation Factor 0.1% 25C
Insulation Resistance 100 GOhms
Max dV/dt 200 V/us
Resistance 253.2 mOhms (100kHz)
Ripple Current 0.81 Amps (100kHz 85C), 44 Amps (Peak)
Inductance 10 nH

Statements of suitability for certain applications are based on our knowledge of typical operating conditions for such applications, but are not intended to constitute - and we specifically disclaim - any warranty concerning suitability for a specific customer application or use. This Information is intended for use only by customers who have the requisite experience and capability to determine the correct products for their application. Any technical advice inferred from this Information or otherwise provided by us with reference to the use of our products is given gratis, and we assume no obligation or liability for the advice given or results obtained.

Generated 5/18/2023 - 1406e297-20fd-4d56-a313-77a723d73171
© 2006 - 2023 KEMET
Generated 5/18/2023 - 1406e297-20fd-4d56-a313-77a723d73171
© 2006 - 2023 KEMET