

Customer Information Sheet

DRAWING No.: S8091-46R

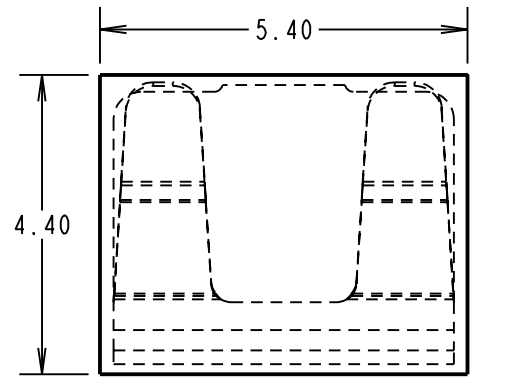
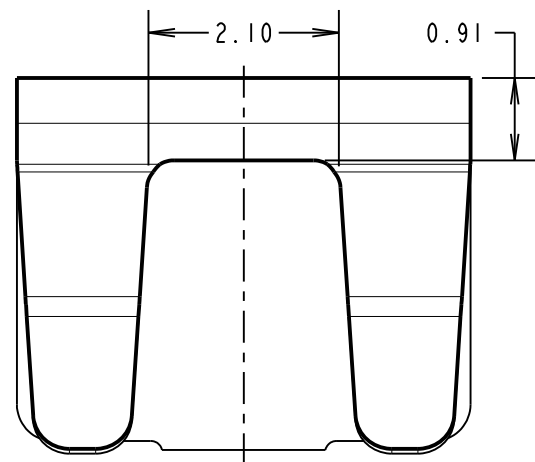
IF IN DOUBT - ASK

©

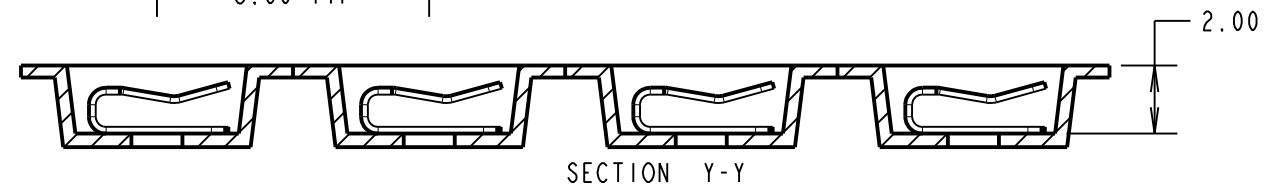
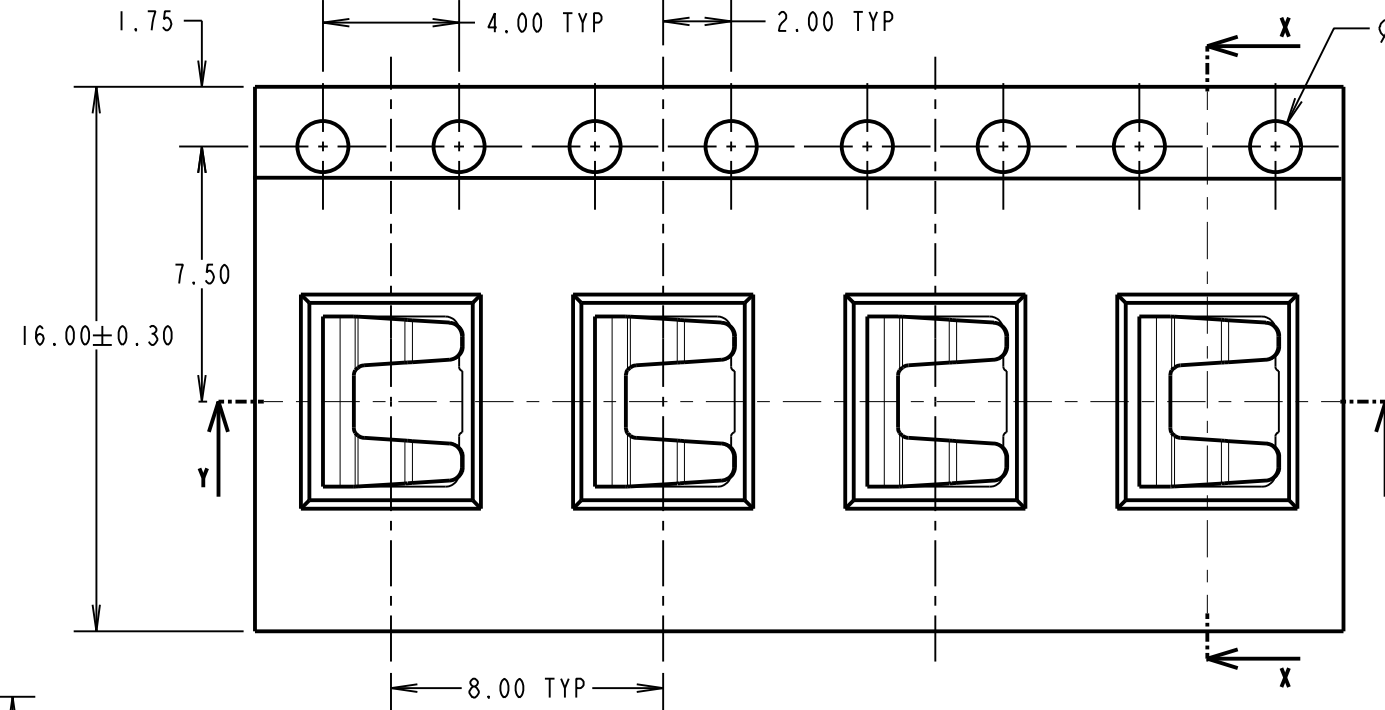
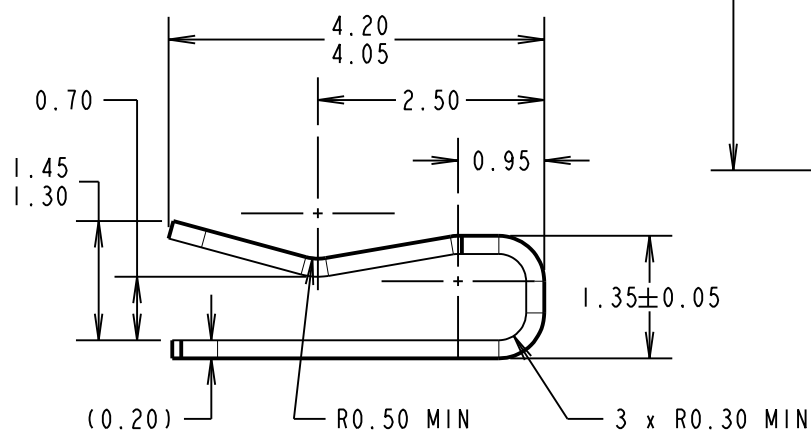
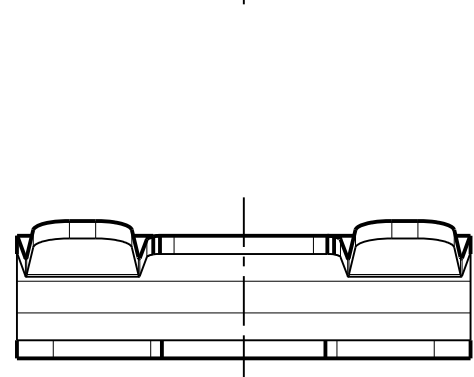
NOT TO SCALE

THIRD ANGLE PROJECTION

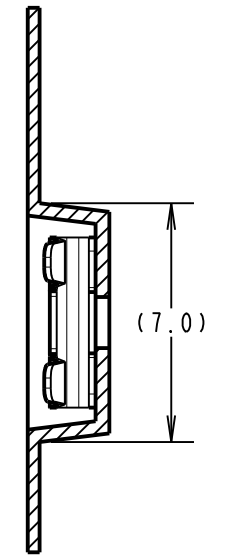
ALL DIMENSIONS IN mm



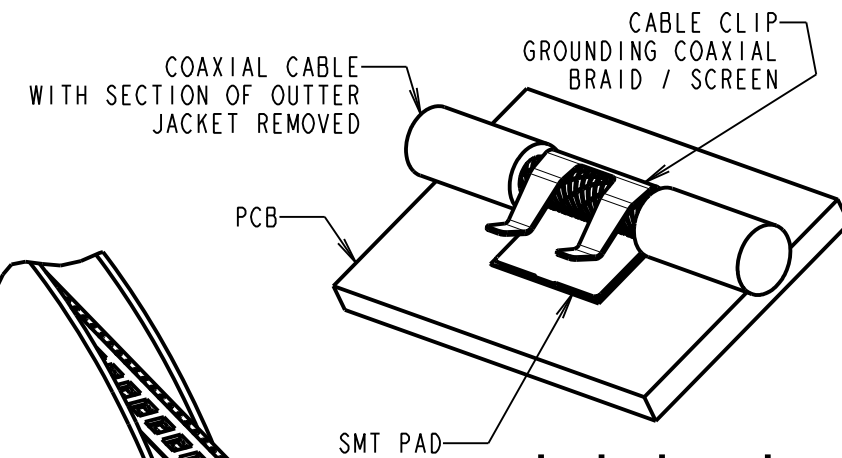
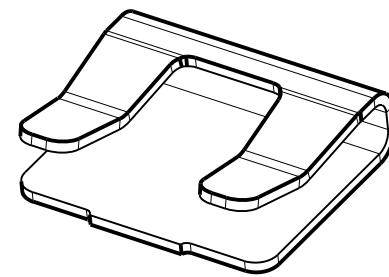
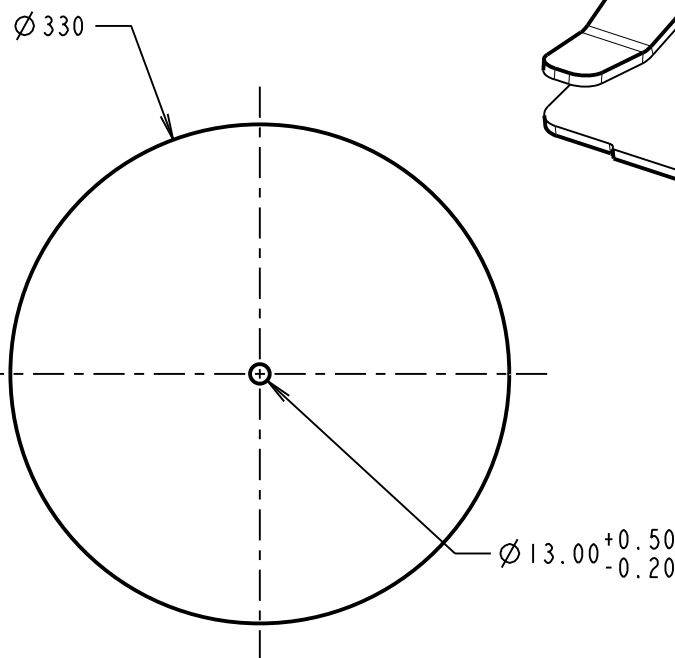
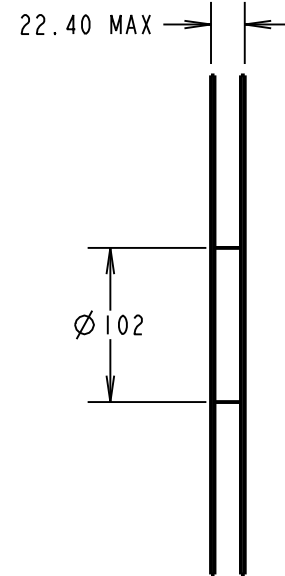
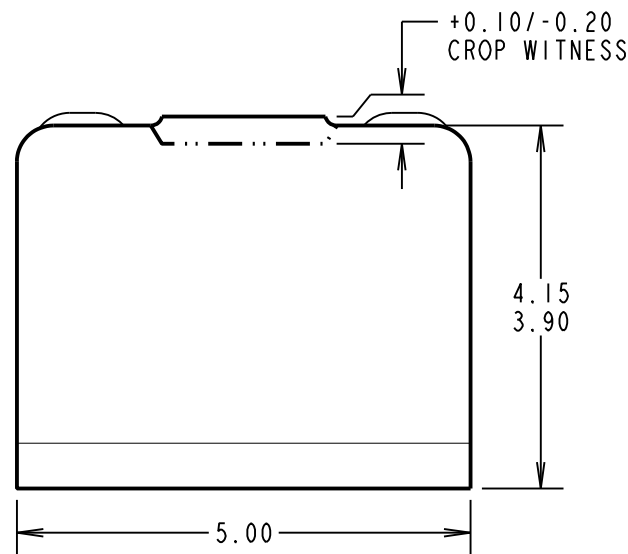
RECOMMENDED PCB PAD LAYOUT



SECTION Y-Y



SECTION X-X



COMPONENT SPECIFICATION:
 MATERIAL: PHOSPHOR BRONZE
 FINISH: 3µ 100% TIN OVER 2µ NICKEL
 CAPACITY MAX: 2 x Ø0.9mm WIRES
 COAX USAGE:
 SUITABLE FOR USE AS A COAXIAL BRAID/SCREEN GROUNDING CLIP WITH UL1745-DSB CX-50, RFX50-DS32-132 AND 1.32mm MINI COAXIAL TYPE CABLE (Ø1.12 BRAIDING).

NOTES:
 1. QUANTITY OF COMPONENTS PER REEL = 3000.
 2. THIS PRODUCT IS TAPED AND REELED IN ACCORDANCE WITH EIA-481 (ELECTRONICS INDUSTRIES ASSOCIATION).

MSP	1	24.07.17	20426
NAME	ISS.	DATE	C/NOTE
APPROVED:		M.PERREN	
CHECKED:		M.PLESTED	
DRAWN:		S.FLOWER	
CUSTOMER REF.:			
ASSEMBLY DRG:			

HARWIN

www.harwin.com
 technical@harwin.com

THIS DRAWING AND ANY INFORMATION OR DESCRIPTIVE MATTER SET OUT HEREON ARE CONFIDENTIAL AND COPYRIGHT PROPERTY OF THE HARWIN GROUP AND MUST NOT BE DISCLOSED, LOANED, COPIED OR USED FOR MANUFACTURING, TENDERING OR FOR ANY OTHER PURPOSE WITHOUT THEIR WRITTEN PERMISSION.

TOLERANCES

X. = ±1mm
 X.X = ±0.25mm
 X.XX = ±0.10mm
 X.XXX = ±0.01mm
 ANGLES = ±5°
 UNLESS STATED

MATERIAL:

SEE ABOVE

FINISH:

S/AREA:

mm²

TITLE: SMT CABLE CLIP FOR Ø0.9mm / COAX UL1745-DSB CX-50, RFX50-DS32-132, 1.32mm MINI COAXIAL CABLE GROUNDING CLIP (Ø1.12 BRAIDING) IN TAPE & REEL

DRAWING NUMBER:

S8091-46R

SHT
 2 OF 2