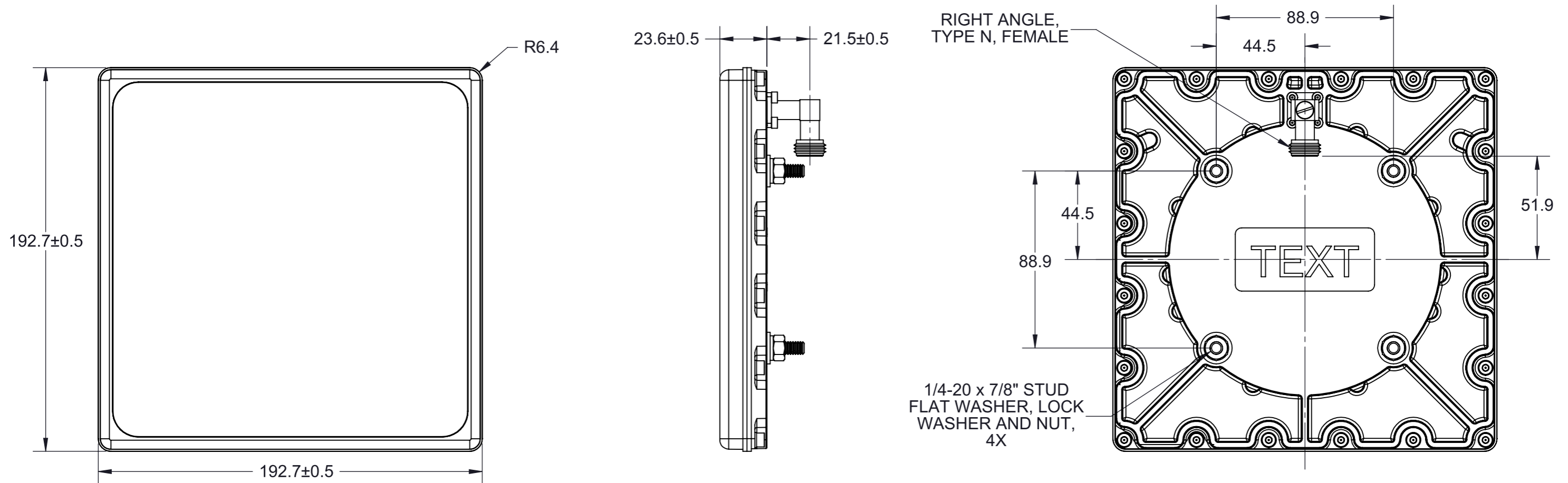




PARAMETER	SPECIFICATION
Part Number	S9026XRRN
Frequency Range	902-928MHz
Typical Gain	6dBic
Typical Axial Ratio	2dB
Input Impedance	50Ω
Maximum VSWR	1.5:1
Maximum Input Power	2W
Front-to-Back Ratio	14dB
3dB Beamwidth Azimuth	85°
Polarization	Circular, Right Hand
Antenna Weight	1kg
Antenna Connector	Right Ang. Type N, Female
Operating Temperature	-30°C to +70°C
Lightning Protection	DC Ground
water/Foreign Body Ingress	IP67

REVISIONS					
REV.	ECR#	ZONE	DESCRIPTION	CHANGED BY/DATE	APPROVED BY/DATE
AA			INITIAL RELEASE	K.S. 04-27-10	K.S. 04-27-10
F01	CRN-IAS-02621		ADDED TO CHART WATER/FOREIGN BODY INGRESS, IP67. CHANGED REV AA TO F01 PER NEW STD ENG-IAS-001	MLC 14JUL14	T.P. 14JUL14



THIS DRAWING IS UNPUBLISHED.	RELEASED FOR PUBLICATION	- , - .
© Copyright 2022 TE Connectivity Ltd.	ALL RIGHTS RESERVED.	

MATERIAL: N/A		THIRD ANGLE PROJECTION			
FINISH: N/A		 DO NOT SCALE DRAWING			
APPROVALS		DATE		TITLE: S9026XRRN	
DRAWN BY	K. SEARL	05-26-09			
PROJ. ENG.	T. PETROPOULOS	04-27-10			
APPL. MECH.	S. JOHNSON	04-27-10			
MFG.	R. CHICOINE	04-27-10		SIZE A3	
				DWG. NO. S9026XRRNMO	
				REV F01	
				SCALE: 1:2 PREVIOUS#	
				SHEET 1 OF 1	