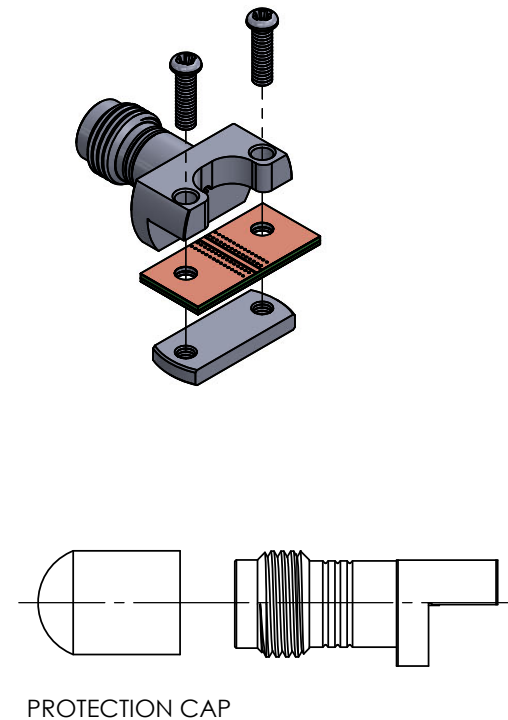
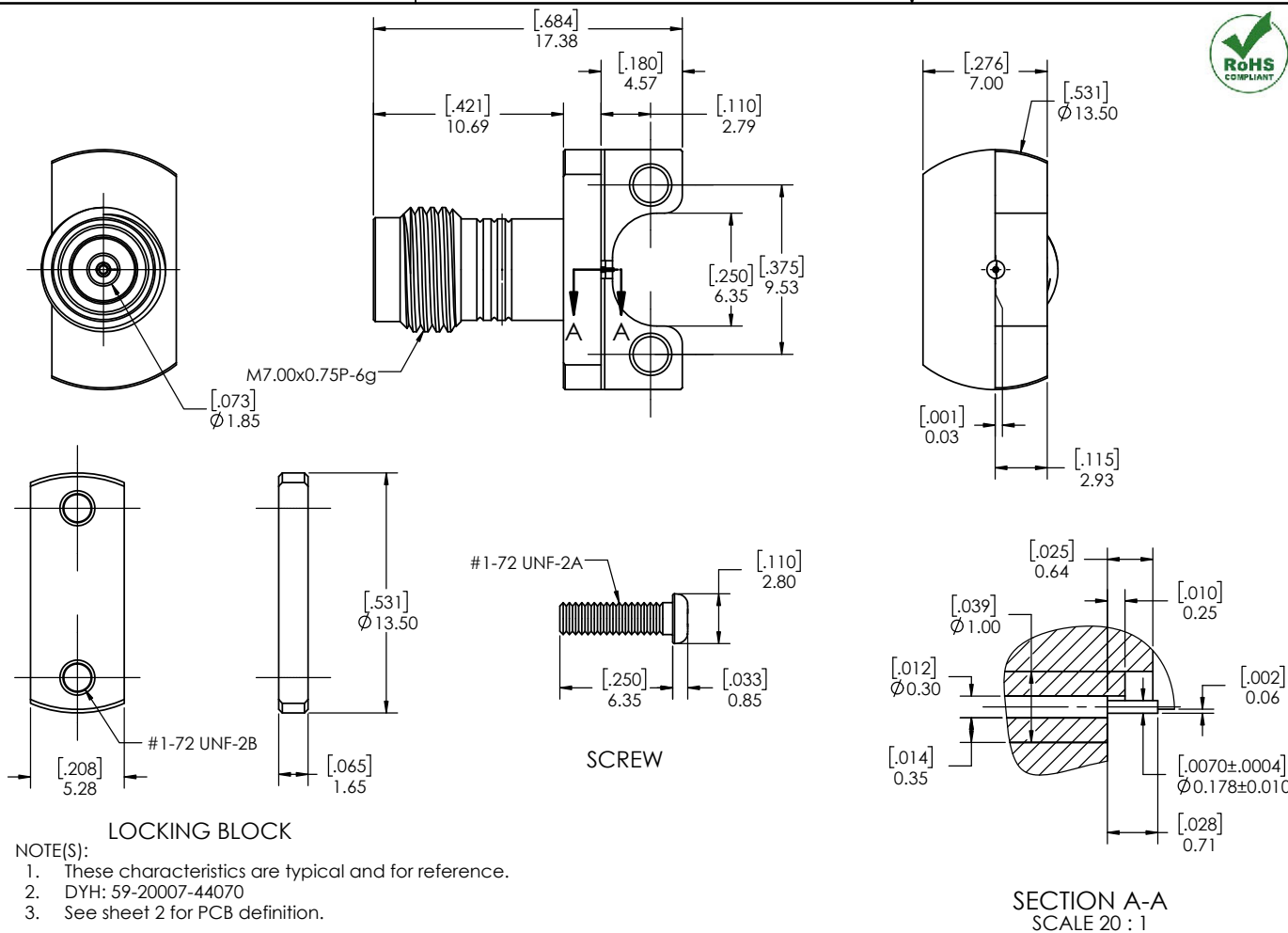




REVISIONS			
REV.	DESCRIPTION	DATE	APPROVED
-	INITIAL RELEASE	07/03/2018	MM
1	UPDATED PART NUMBER AND COLOR	10/26/2018	DL
2	ADDED SHEET 2 PCB DEFINITION	2/20/2019	PV
3	ADDED SECTION VIEW	3/7/2019	PV
4	REVISED MODEL	11/19/2019	PV



**LOCKING BLOCK**

NOTE(S):  
 1. These characteristics are typical and for reference.  
 2. DYH: 59-20007-44070  
 3. See sheet 2 for PCB definition.

**SECTION A-A**  
SCALE 20 : 1

**PROTECTION CAP**

MATERIAL(S) :	ELECTRICAL(S) :	MECHANICAL(S) :	ENVIRONMENTAL(S) :
Body: Stainless Steel Center Conductor: Beryllium Copper Insulator: Insulator 1: PCTFE, white Insulator 2: PTFE, white RoHS Compliant Protective Cap: Soft PVC Color: Green	Impedance: 50 Ohms Nominal Frequency Range: DC to 65 GHz VSWR: 1.3:1 max at 65 GHz Working Voltage: 400 Vrms max @ Sea Level Dielectric Withstand Voltage: 500 Vrms max. Insulation Resistance: 5000 Megohms min. Contact Resistance: Initial: Center Contact: 1.5 Milliohms max Outer Contact: 0.8 Milliohms max	Mating Characteristics: Interface per MIL-STD-348 Force to Engage & Disengage: Torque: 2 inch-pounds max Longitudinal Force: NA Connector Durability: 500 Cycles min. Permeability: Less than 2.0 mu. Center Contact Retention: Axial Force: 6 pounds min. Radial Force: NA	Temperature Range: -65°C to +165°C Moisture Resistance: MIL-STD-202, Method 103, Test Condition B Corrosion: MIL-STD-202, Method 101, Test Condition B Vibration: MIL-STD-202, Method 204, Test Condition A Shock: MIL-STD-202, Method 213, Test Condition 1

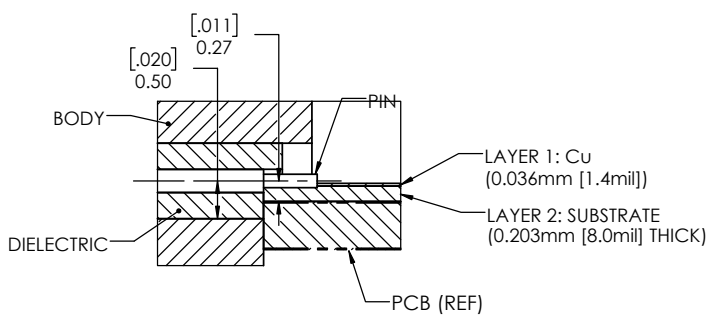
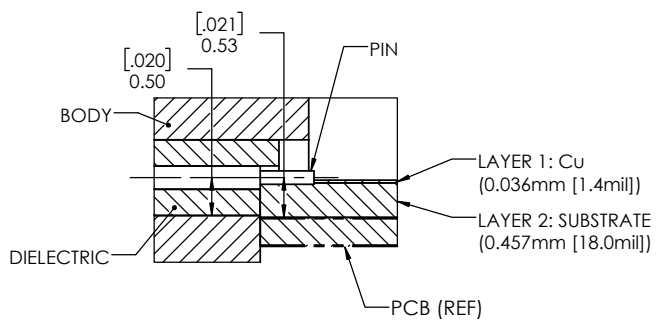
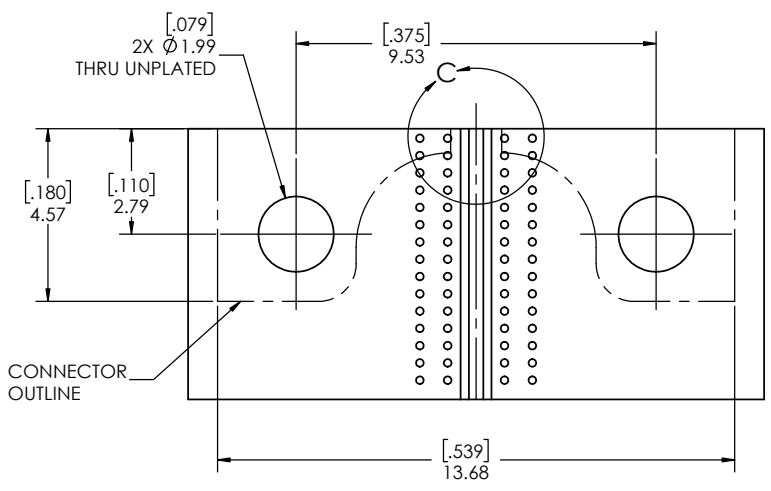
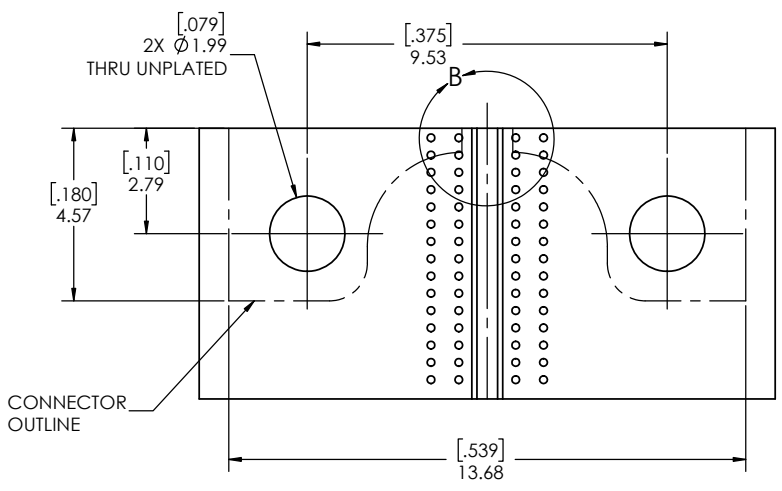
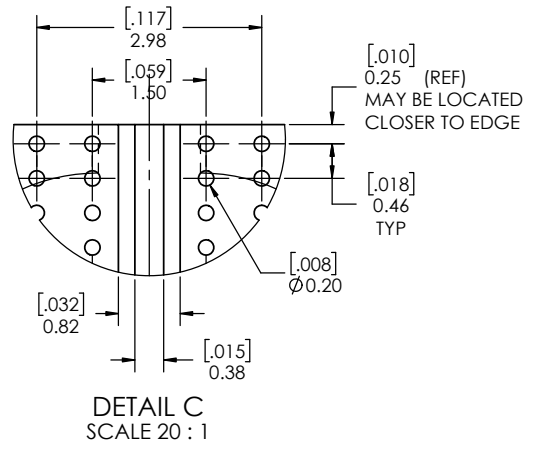
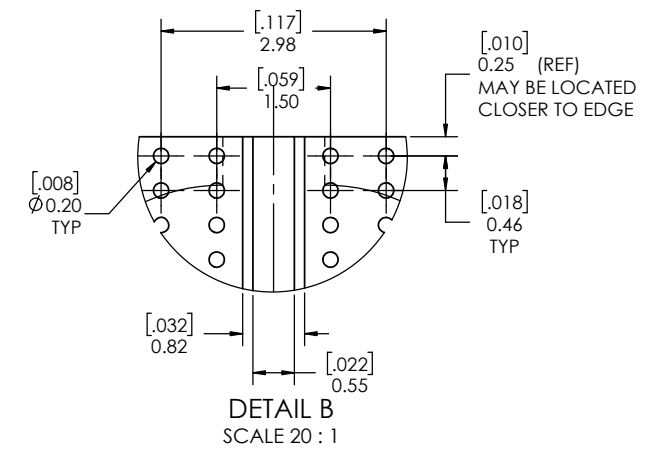
FINISH(ES) :	APPLICABLE CARLISLE IT DOCUMENTS			TOLERANCES AND NOTES EXCEPT AS NOTED	APPROVAL	INITIALS	DATE	 Dongguan City, Guangdong P.R. China 523533
	WORK STANDARD	PROD INSTRUC	ASSY INSTRUC					
Body: Passivated Center Conductor: Gold Plating	NA	NA	NA	THIRD ANGLE PROJECTION	DRAWN BY	MM	07.03.18	TITLE 1.85mm STRAIGHT JACK, EDGE MOUNT (SOLDERLESS) SCALE 5:1 SUB-DIRECTORY/ OUTLINE/ SHEET 1 OF 2 SIZE C DRAWING NO. TMB-E8F2-1L1
				SCALE 5:1	CHECKED BY	KM	07.03.18	
				DIMENSIONS ARE IN [INCHES] MM	DESIGN ENG			
				ANGLES ±2° XX DECIMALS ±.063 .XXX DECIMALS ±.01	APPR BY			

4

3

2

1



**PCB LAYOUT  
(FOR REFERENCE ONLY)**

SCALE 10:1	SUB-DIRECTORY/	SHEET 2 OF 2
SIZE C	CAGE CODE	REV. 4
DRAWING NO. TMB-E8F2-1L1		

4

3

2

1