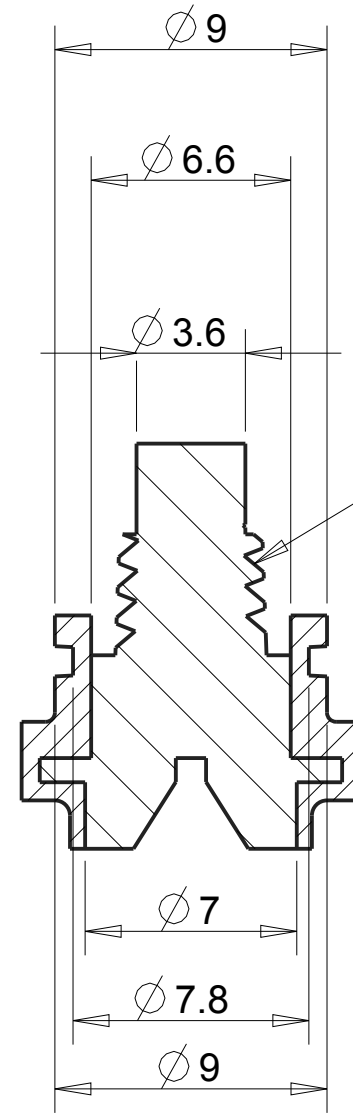
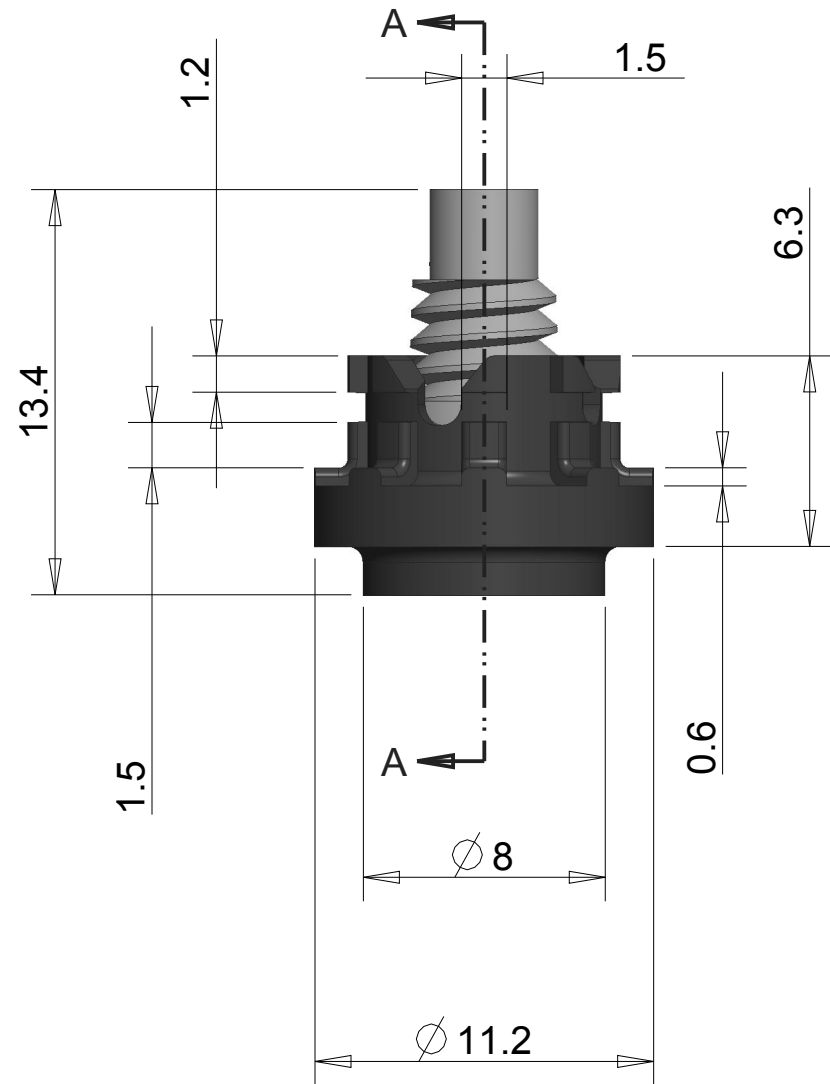


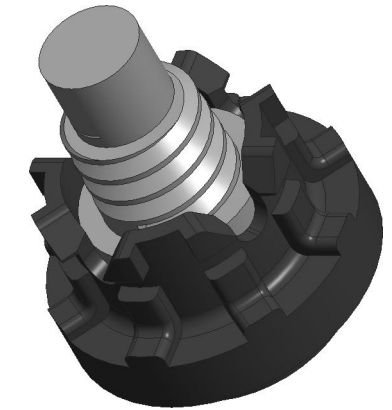


REVISIONS

DRAWN	REV	DESCRIPTION	DATE	APPROVED
E-A-R	01	FOR REV 01 REFER TO OLDER FORMAT DRAWING "UM-445-X"		
CP	02	UPDATED MATERIALS AND FORMAT	6/12/17	



SELF TAPING  $\phi$  5MM



NOTES:

- CRITICAL DIMENSIONS ARE MARKED WITH "\*\*\*".
- CRITICAL DIMENSIONS SHALL HAVE cPK VALUE  $\geq$  1.33 WITH ONGOING SPC DATA REQUIRED.
- FOR THREADED INSERT: Zn COATING, Cr6 FREE, ASTM B-117 (72 HOURS).
- FOR ALL THREADED INSERT: CRITICAL DIM TOL:  $\pm$  0.08MM ALL OTHER DIM TOL:  $\pm$  0.1MM.
- USE THE TOLERANCE TABLE ON THE LEFT FOR ELASTOMERS
- PARTS SHALL BE INSPECTED FOR VISUAL DEFECTS INCLUDING BUT NOT LIMITED TO: OVER-CURED, UNDER-CURED, EXCESS VOIDS, INCOMPLETE FILL, TORN, AND EXCESS FLASH.

AVAILABLE MATERIALS TABLE

PART #	MATERIAL
UM-445-C-1002	C-1002
UM-445-C-8002	C-8002
UM-445-C-8012	C-8012
UM-445-C-6050	C-6050

RANGE	TOL
0<DIM<2	$\pm$ 0.15
2<=DIM<25	$\pm$ 0.25
25<=DIM<50	$\pm$ 0.4
50<=DIM	$\pm$ 0.6

MATERIAL:	AEARO TECHNOLOGIES LLC * a 3M company		
SEE TABLE	TITLE		
UNITS: MM	UNIVERSAL MOUNT, 4.5MM HOLE		
NOTES: ANY FEATURE NOT DIMENSIONED IN PRINT MUST BE VISIBLY PRESENT, UTILIZE 3D CAD FOR CREATION	SIZE	ITEM CODE	DWG NO.
	B		UM-445-X

1

2

3

4

D

D

C

C

B

B

A

A