

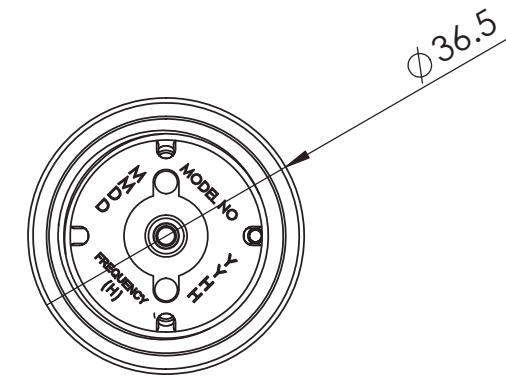
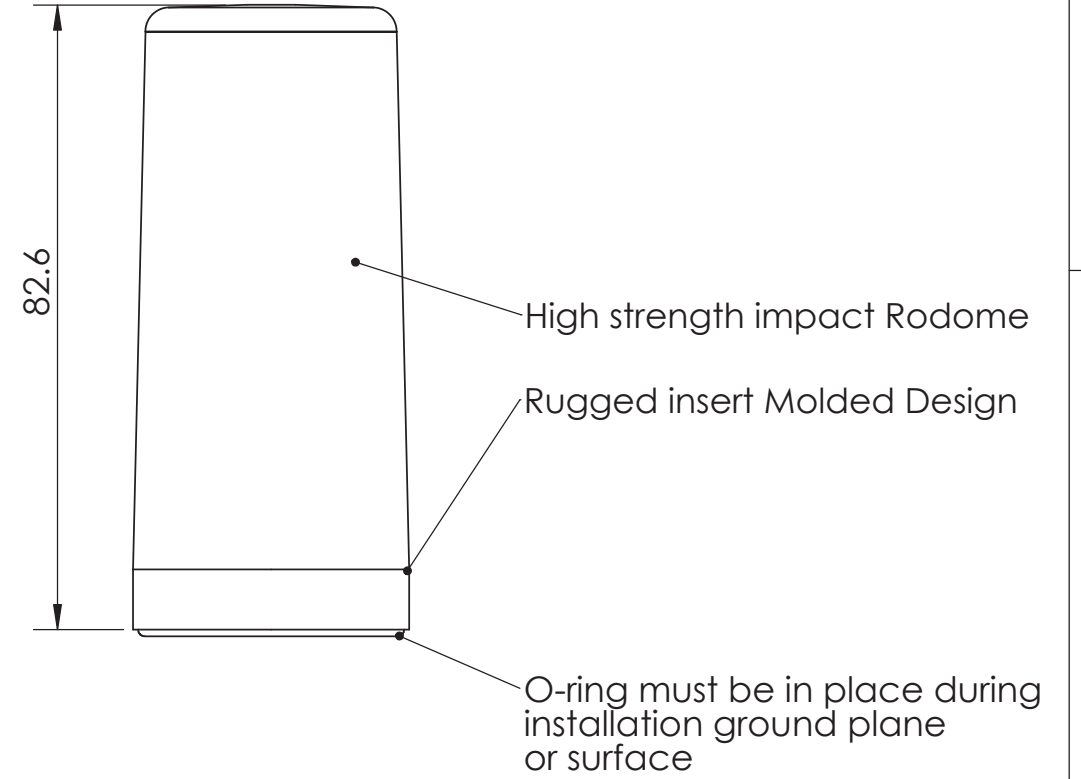
Electrical SPEC

| Item | Model Number | Antenna Color | Frequency | VSWR | Gain (Typical) | Gain (Max) | Input Impedance | Polarization |
|------|------------------|---------------|-------------|--------|----------------|------------|-----------------|--------------|
| 1 | UTRA4061S2NW-001 | WHITE | 406-440 MHz | <2.5:1 | 2.4 dBi | 2.9 dBi | 50 ohm | Vertical |
| 2 | UTRA4061S2NB-001 | BLACK | 406-440 MHz | <2.5:1 | 2.4 dBi | 2.9 dBi | 50 ohm | Vertical |

*Tested on 2ft x 2ft Ground Plane

REVISIONS

| REV. | ECR# | ZONE | DESCRIPTION | CHANGED BY/DATE | APPROVED BY/DATE |
|------|---------------|------|-------------|-----------------|------------------|
| F01 | ECN-IAS-03462 | N/A | MO RELEASED | TPC 8 MAY 13 | CYH 8 MAY 13 |



Parameter

Mechanical SPEC

| | |
|-----------------------|---|
| Model Number | Refer to Config Table Below |
| Antenna Type | Shorted Monopole |
| Weight | 163.3g |
| Mounting | NMO |
| Wind Survival | 282 km/h |
| Antenna Dimension | 82.6(H)X36.5(Dia.)mm (Excludes Gasket Height) |
| Operating Temperature | -45°C ~ +85°C |
| Storage Temperature | -50°C ~ +85°C |
| Ingression Protection | IP67 |
| Installation Torque | 5.43~8.14 Nm |

| | | | | | |
|---------------------------------------|---------|--------------------------|--|---|--|
| MATERIAL: N/A | | THIRD ANGLE PROJECTION | | | |
| FINISH: N/A | | DO NOT SCALE DRAWING | | | |
| APPROVALS | | DATE | | TITLE: MOUNTING & OUTLINE | |
| DRAWN BY | TP CHEE | 8 MAY 13 | | | |
| ELEC. ENG. | | | | | |
| MECH. ENG. | TP CHEE | 8 MAY 13 | | | |
| MFG./OPS. | | | | INTERPRET DIMENSIONING AND TOLERANCING IN ACCORDANCE WITH ASME Y14.5M-2009 TOLERANCES UNLESS OTHERWISE SPECIFIED DIMENSIONS ARE IN MILLIMETERS | |
| THIS DRAWING IS UNPUBLISHED. | | RELEASED FOR PUBLICATION | | SIZE A3 DWG. NO. UTRA4061S2NMO REV F01 | |
| © Copyright 2022 TE Connectivity Ltd. | | ALL RIGHTS RESERVED. | | SCALE: 1:2 PREVIOUS# SHEET 1 OF 1 | |