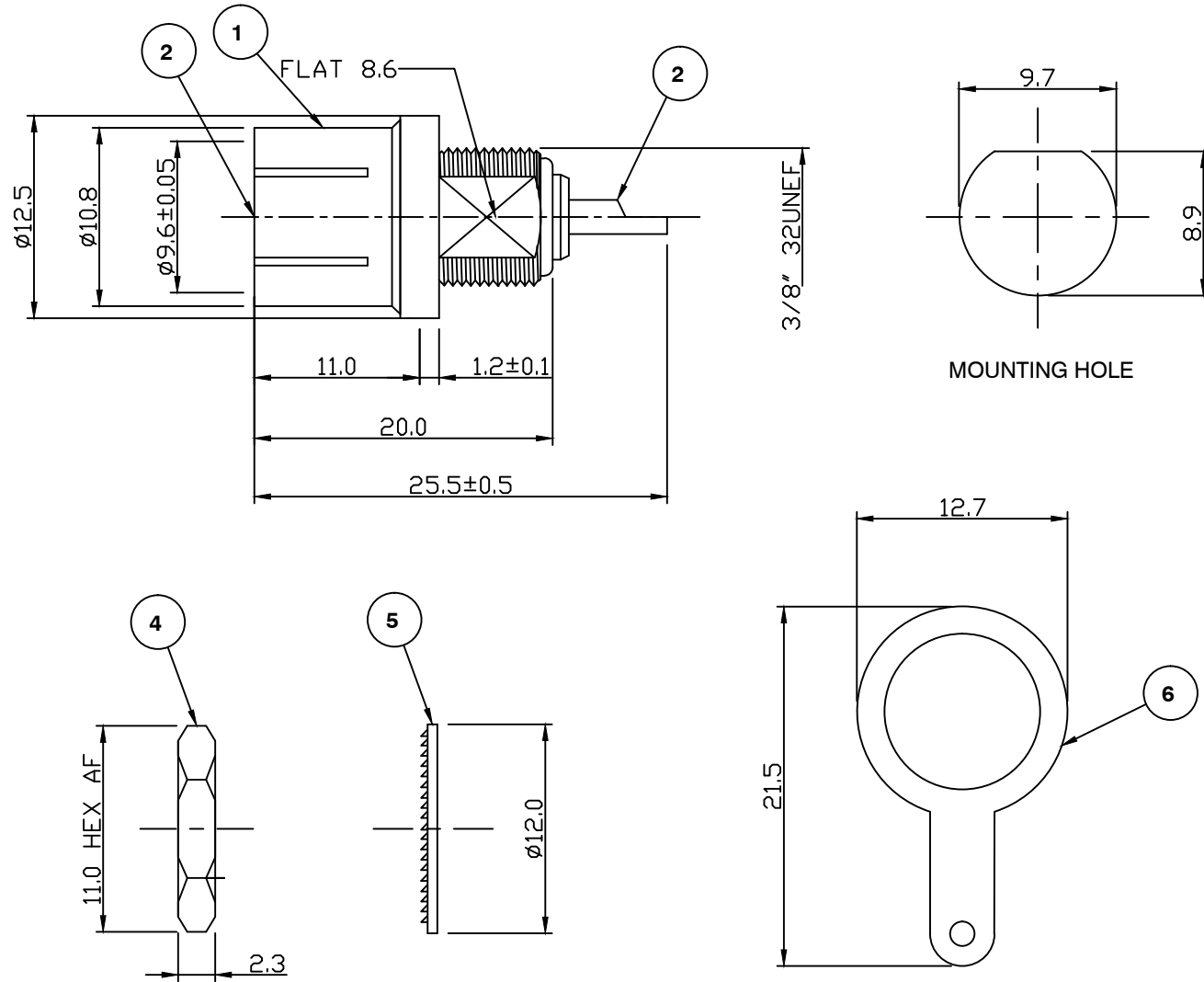


RoHS COMPLIANT



Electrical Characteristics

Nominal Impedance:	60-75 Ohms
Frequency Range:	DC to 900 MHz
VSWR:	1.35:1 maximum
Operating Voltage (DC):	4000 V maximum
Dielectric Withstand Voltage (rms):	1500 V maximum at sea level
Contact Resistance:	3.0 milliohms maximum
Insulation Resistance:	10000 megohms minimum

Mechanical Characteristics

Mating Cycles:	50 cycles (subject to cable)
Interface Dimensions:	Conform to MIL-C-39012

Environmental Characteristics

Temperature Range:	-55 °C to +85 °C
--------------------	------------------

	PART	DESCRIPTION
1	Body	Brass, nickel plated
2	Contact	Brass, nickel plated
3	Dielectric	POM
4	Nut	Brass, nickel plated
5	Washer	Brass, nickel plated
6	Washer	Brass, nickel plated

First Issue	SN	1	14 Feb 02
DESCRIPTION OF REVISION	APPVD	ISS	DATE



CINCH CONNECTIVITY SOLUTIONS
11 Bilton Road,
Chelmsford, Essex,
CM1 2UP, UK
Tel: +44 (0) 1245 359515
Fax: +44 (0) 1245 358938

SCALE: Not To Scale	DRAWN BY: S Nash
DIMENSIONS: mm	CHECKED BY: P Couzens
TOLERANCES: ± 0.2 mm unless otherwise stated	APPROVED BY: P Couzens
DATE: 14 Feb 02	

TITLE: Euro Panel Mount Jack
--

PART NUMBER: VEU1094
PAGE: 1 of 1