

# SIM CARD CONNECTORS

## Locking SIM 9162-300



For 9162 Slide-IN & 9162 SIM/microSD

- Accepts GSM Standard 11.11 cards
- Secure locking latch mechanism
- Robust, good resistance against shock and vibration
- SIM Installed Height – 1.50mm
- Polarized to eliminate improper insertion of the card

### APPLICATIONS

- Cellular Phones
- Radios

### FEATURES AND BENEFITS

- SMT with locking hinged guide
- 2.50mm connector height
- Selective gold on mating surface/tin on solder tails
- Tape and reel packaging

### ELECTRICAL

- Current Rating: 0.3 Amp / Contact
- Voltage Rating: 30 VAC

### ENVIRONMENTAL

- Operating Temperature:  
-55°C to +125°C

### MECHANICAL

- Insulator Material: High Temperature Plastic; UL94 V-0
- Contact Material: Copper Alloy
- Plating: Gold over Nickel
- Durability: 10,000 Cycles

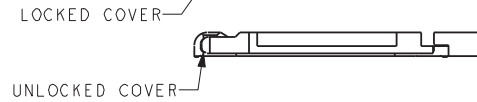
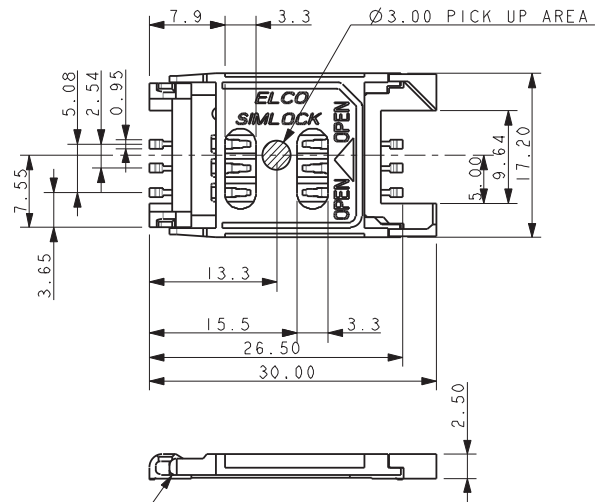
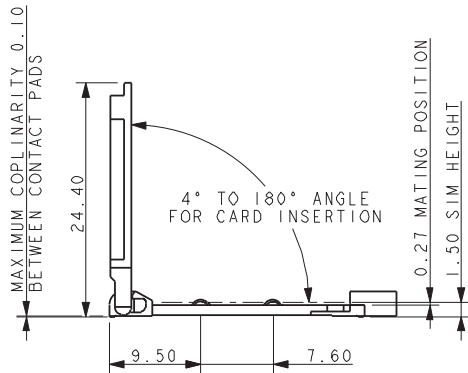
### HOW TO ORDER

<b>00</b>	<b>9162</b>	<b>006</b>	<b>30</b>	<b>1</b>	<b>150</b>
Prefix	Series	Number of Contacts	SIM Type	Contact Plating	SIM Height
			30 = SMT with Locking Hinge SIM Guide	1 = Selective Gold on Contact Surface and Tin on Solder Tails	150 = 1.50mm on SIM Card 2.50mm on Connector

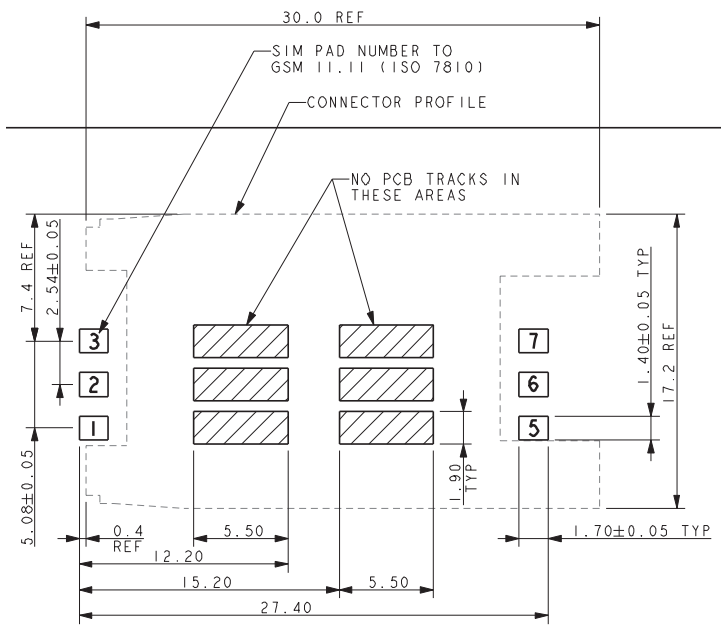
# SIM CARD CONNECTORS

## Locking SIM 9162-300

### CONNECTOR DETAILS



### SUGGESTED PCB LAYOUT



#### NOTES:

1. SALES DRAWING FOR SIMLOCK SIM READER.
2. ALL DIMENSIONS ARE REFERENCE DIMENSIONS UNLESS TOLERANCED.
3. FOR PRODUCT SPECIFICATION REFER TO ELCO SPEC. 201-01-111.
4. PACKING IN TAPE AND REEL, 600 PIECES IN A 330MM REEL.
5. MATERIAL: COVER AND HOUSING: HIGH TEMPERATURE THERMOPLASTIC UL94 V-0, COLOR BLACK. CONTACT: COPPER ALLOY, GOLD PLATING IN CONTACT AREA, TIN PLATING ON SOLDER TAILS, NICKEL UNDERCOAT ON ALL SURFACES.

### PACKING DETAILS

#### CONTACT FUNCTIONS (ISO78161):

1. SSUPPLY VOLTAGE  $V_{cc}$ .
2. RESET
3. CLOCK
4. GROUND
5. PROGRAM VOLTAGE  $V_{pp}$ .
6. I/O

