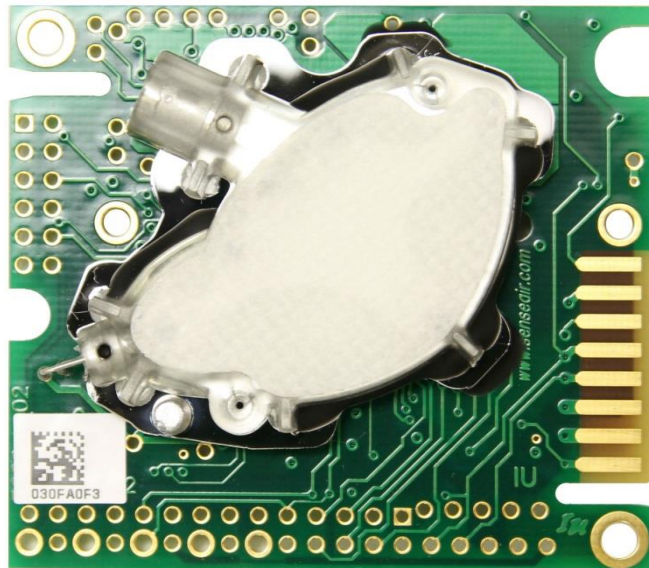


Product Specification

Senseair K30 FR

Fast Response CO₂ sensor



General

- The Senseair K30 sensor platform, in its default appearance named Senseair K30 FR, can be customised for a variety of sensing and control applications. This platform is designed to be an OEM module for built-in applications in a host apparatus, and hence should be optimised for its tasks during a dialog between Senseair and the OEM customer. This document describes a certain model of this platform optimised for fast response measurements, named Senseair K30 FR, and is to be considered as the starting point for such a dialog.
- Senseair K30 FR is a high performance, linear transmitter CO₂ sensor module optimised for fast response time. It is designed to be built-in into equipment that requires a fast update rate of CO₂ measurements. The sample cell is well protected by a particle filter and is designed for fast diffusion without any need for external pump. In addition, there is a tube inlet for on-line test gas feed-through. In spite of being based on reliable infrared gas sensing technology, and being very precise, the design is very cost efficient.

The unit is designed to run at 4.5 – 14 V stabilised supply voltages provided that load and line regulation of power supply is within $\pm 5\%$.

During normal operation, the sensor module measures ambient gas CO₂ concentrations twice every second. The measurement register can be monitored via an I²C bus or UART serial interface. The measured CO₂ concentration is filtered by a configurable digital filter and is also transmitted to the Analogue linear voltage outputs.



| Item | Senseair K30 FR Art. No.: 030-8-0010 |
|--------------------------------|---|
| Target gas | Carbon dioxide (CO ₂) |
| Operating principle | Non-dispersive infrared (NDIR) |
| Measurement range | 0 – 5000 ppm _{vol} |
| Accuracy | ±30 ppm ±3% of reading ¹ |
| Response time _{T90} | 2 seconds @ 0,5 l/min tube gas flow, 20 sec diffusion time |
| Rate of measurement | 2 Hz |
| Operating temperature | 0 – 50 °C |
| Operating humidity | 0 – 95% RH non condensed |
| Storage temperature | -30 – 70 °C |
| Dimensions (mm) | 51 x 57 x 14 mm (Length x Width x approximate Height) |
| Power supply | 4.5 – 14.0 V DC maximum rating (without reverse polarity protection) stabilised to ±5% over load and line changes. Ripple voltage less than 100 mV. ² |
| Power consumption | <600 mA peak, 70 mA average |
| Warm Up time to spec precision | 1 min |
| Life expectancy | > 3 years |
| Serial communication | UART, Modbus protocol. Direction control pin for direct connection to RS485 transceiver integrated circuit. |
| OUT 1 | D/A Resolution: 10 mV (10 bit) Linear Conversion Range: 0 – 10 V = 0 – 5 000 ppm Electrical Characteristics: R _{OUT} <100 Ohm, R _{LOAD} >5 kOhm |
| OUT 2 | D/A Resolution: 5 mV (10 bit) Linear Conversion Range: 0 – 5 V = 0 – 5000 ppm Electrical Characteristics: R _{OUT} <100 Ohm, R _{LOAD} >5 kOhm |
| OUT 3 | Digital (High/Low) output, 700/800 ppm |
| OUT 4 | Digital (High/Low) output, 900/1000 ppm |
| Maintenance interval | Subject for discussion with customer |

Table 1. Key technical specification for the Senseair K30 FR

* PATENTED: WO 97/18460, WO 98/09152, WO 2005/015175

¹ Accuracy is specified over operating temperature range at normal pressure 101.3 kPa. Specification is referenced to certified calibration mixtures. Uncertainty of calibration gas mixtures (±2% currently) is to be added to the specified accuracy for absolute measurements.

² Notice that absolute maximum rating is 14 V, so that sensor can be used with a 12 V±10% supply.

Terminal descriptions

The table below specifies what terminals and I/O options are available in the general Senseair **K30** platform. Please note, however, that in the Senseair K30 FR default configuration, only OUT1, OUT2, Din1, Din2 and Status have any pre-programmed functions. These are described in the chapter “Default configuration”.

| Functional group | Descriptions and ratings |
|---|--|
| Power supply | |
| G+ referred to G0: | Absolute maximum ratings 4.5 – 14 V, stabilised to within 5% 5.0 – 9V preferred operating range. Unprotected against reverse connection! |
| Outputs | |
| OUT1 | Buffered linear output 0 – 5 or 1 – 5 V DC or 0 – 10 V or 2 – 10 V, depending on specified power supply and sensor configuration. Load to ground only! Resolution: 10 mV (8.5 bits in the range 1 – 5 V). Can be used as an overview alternative to OUT2, or in an independent linear control loop, such as housing temperature stabilisation. |
| OUT2 | Buffered linear output 0 – 5 or 1 – 5 V DC, depending on specified power supply and sensor configuration. Load to ground only! Resolution: 5 mV (10 bits) |
| OUT3 | CMOS unprotected . Digital (High/Low) output. High Output level in the range 2.3 V min to DVDD = 3.3 V. (1 mA source) Low output level 0.75 V max (4 mA sink) Can be used for gas alarm indication, or for status indication etc. |
| OUT4 | CMOS unprotected . Digital (High/Low) output. High Output level in the range 2.3 V min to DVDD = 3.3 V. (1 mA source) Low output level 0.75 V max (4 mA sink) Can be used for gas alarm indication, or for status indication etc. |
| Status | CMOS unprotected . High Output level in the range 2.3 V min to DVDD = 3.3 V. (1 mA source) Low output level 0.75 V max (4 mA sink) |
| Serial communication | |
| UART (TxD, RxD) | CMOS, ModBus communication protocol. Logical levels corresponds 3.3 V powered logics. Refer TDE2336 “ModBus on Senseair K30, Senseair K33 and eSENSE” for electrical specification. |
| I²C extension. | |
| Contact Senseair | Pull-up of SDA and SCL lines to 3.3 V. |
| Inputs & optional jumper field | |
| Din0, Din1, Din2, Din3, Din4 | Digital switch inputs have pull-up 120 kOhm to DVCC 3.3 V most of the time. Pull-up resistance is decreased to 4 – 10 kOhm only during read of input / jumper to provide cleaning of the contacts by larger currents. They are the same as inputs on IDC connector. Can be used to initiate calibration or to switch output range or to force output to predefined state. All depends on customer needs. |

Table 2. I/O notations used in this document for the Senseair K30 platform with some descriptions and ratings. Beware of the **bold texts that pinpoint important features** for the system integration!

General PCB overview

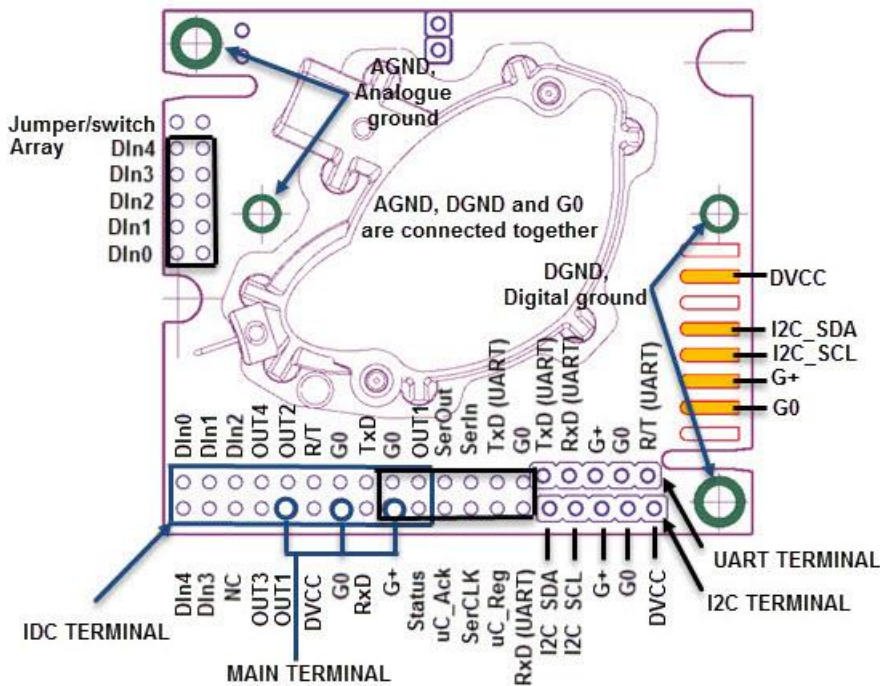


Figure 1. Senseair K30 FR I/O notations and terminal positions (Top view).

See mechanical drawing

Installation

The modules are factory calibrated and ready for use directly after power up. There are several alternative ways to connect the Senseair K30 FR to a host system:

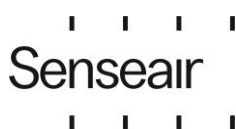
Do not use edge connector for connection to the host system without discussion with Senseair!

1. Using "UART connector", including terminals for power supply (G+ and G0), UART (Tx/D, Rx/D).
2. Using the 3 pins **main terminal**. Available signals are power supply (G+ and G0) and the buffered analogue output (OUT1). A variety of user selections exists for this option regarding standard 5.08 mm pitch components and mounting alternatives (top/bottom).
3. Using 20 pin connector strips, or IDC connector, most of the system information is reached.

Host integration considerations and EMI shielding

If an IDC connector is being used to connect the Senseair K30 module to a host PCB, this connector can in some situations be used as the only fixture. If instead fixing the Senseair K30 PCB using mechanical poles and screws, no more than two (2) positions should be considered. This is because the PCB should not be exposed to any mechanical stress, and it is small and lightweight enough for just two (2) attachment points.

To provide means for attachments, there are four (4) possible screw holes available, all of them having a collar that is electrically connected to ground (G0). These connections are, however, not totally equivalent:



- The two screw points in the upper left corner (having the IDC and edge connectors faced downwards) are connected to the *analogue* ground. They are the preferred choice for connection to some EMI shield, if so is required. This is normally necessary only if the application is such that large EMFs are foreseen. If this option is being used, precaution must be taken so as to exclude any power supply currents! Sensor reading instability is an indication of the need for shielding, or of improper enclosure system groundings.
- The two screw points in the right bottom corner are connected to the *digital* ground. Connection to some EMI housing shield is less effective when this option is used, but on the other hand the sensor may be powered via these connections.

Note 1: To avoid ground loops, one should avoid connecting the analogue and digital grounds externally! They are connected internally on the Senseair K30 PCB.

Note 2: The terminals are not protected against reverse voltages and current spikes! Proper ESD protection is required during handling, as well as by the host interface design.

Default functions /configurations

Outputs

The basic K30 FR configuration is a simple analogue output sensor transmitter signal directed to OUT1 and OUT2. Output OUT1 is configured to give a measurement overview, whereas OUT2 by default is to provide more exact measurements. Via the edge connector serial communication terminal, the CO₂ readings are available to an even higher precision (Modbus protocol), together with additional system information such as sensor status, analogue outputs, and other variables.

The user can modify the output ranges at any time using a dedicated development kit, including PC software and a special serial communication cable.

| Terminals | Output | Correspondence |
|-----------|-----------------|------------------------------|
| OUT1 | 0.0 – 10.0 V DC | 0 – 5000 ppm CO ₂ |
| OUT2 | 0.0 – 5.0 V DC | 0 – 5000 ppm CO ₂ |

Table 3. Default analogue output configuration for Senseair K30 FR

Calibration

Single-point Calibration restore switch Din1

For highest possible accuracy, the sensor can be re-calibrated just before the important measurement is to be carried out. This is possible to do by a qualified operator, provided that the sensor is exposed to a reference gas, which by default should contain exactly 400 ppm CO₂. This number can be selected to any other value of preference using serial interface and PC software provided by Senseair.

During a calibration process the sensor must be carefully exposed to the calibration gas in a manner that assure no dilution air of the reference gas from the ambient, and that no overpressure is created in the sensor sample cell. One way to achieve this is to position the sensor in a deep and soft plastic bag and flush the reference gas inside this bag for a while.



Creating an electrical shortcut between the two holes labeled Din1 actuates the calibration process. A closure here will ground one of the micro-controller I/O pins. As soon as the micro-controller detects this manually grounded switch terminal, a new zero constant sensor parameter is calculated replacing the old parameter, so as to push the current sensor reading to what is being defined for the reference gas (default = 400 ppm CO₂). If the operator leaves the sensor with Din1 closed for some period of time, the sensor will continue to recalibrate for the 400ppm target value until the switch closure eventually is released.

Zero Calibration restore switch Din2

The Din2 switch operates exactly in the same way as the Din1 switch, but assumes that the reference gas contains no Carbon dioxide at all, such as Nitrogen, for instance. Hence, a calibration executed by shorting the Din2 switch performs a true zero point calibration adjustment.

| Input Switch Terminal <i>(normally open)</i> | Default function <i>(when closed for minimum 8 seconds)</i> |
|---|--|
| Din1 | bCAL (background calibration) assuming 400ppm CO ₂ sensor exposure |
| Din2 | CAL (zero calibration) assuming 0ppm CO ₂ sensor exposure |

Table 4. Switch input default configurations for Senseair K30 FR

Note: To make a full sensor recalibration, includes also a change of the sensor span constant, a serial communication interface is required. Contact Senseair for technical support on this matter if this is required.

Maintenance

Self-diagnostics

The system contains complete self-diagnostic procedures. A full system test is executed automatically every time the power is turned on. In addition, constantly during operation, the sensor probes are checked against failure by checking the valid dynamic measurement ranges. All EEPROM updates, initiated by the sensor itself, as well as by external connections, are checked by subsequent memory read back and data comparisons. These different system checks return error bytes to the system RAM. If this byte is not zero, the logic output terminal **Status** would be put into Low level state. The full error codes are available from the UART port or via I²C communication. *Offset regulation error* and *Out of range* are the only bits that are reset automatically after return to normal state. All other error bits have to be reset after return to normal by UART overwrite, or by power off/on.

| Output terminal | Default function |
|-----------------|-------------------------------------|
| Status | High level = OK ; Low level = Fault |

Table 5. Default Logic output configured for Senseair K30 FR



Error code and action plan

(error code can be read via one of communication channels)

| Bit # | Error code | Error description | Suggested action |
|-------|------------|--|---|
| 0 | 1 | Fatal error | Try to restart sensor by power OFF/ON. Contact local distributor. |
| 1 | 2 | Offset regulation error | Try to restart sensor by power OFF/ON. Contact local distributor. |
| 2 | 4 | Algorithm error. Indicate wrong EEPROM configuration. | Try to restart sensor by power OFF/ON. Check detailed settings and configuration with software tools. Contact local distributor. |
| 3 | 8 | Output error Detected errors during output signals calculation and generation. | Check connections and loads of outputs. Check detailed status of outputs with software tools. |
| 4 | 16 | Self-diagnostic error. May indicate the need of zero calibration or sensor replacement. | Check detailed self-diagnostic status with software tools. Contact local distributor. |
| 5 | 32 | Out of range error Accompanies most of other errors. Can also indicate overload or failures of sensors and inputs. Resets automatically after source of error disappearance. | Check connections of temperature and relative humidity probe (if mounted). Try sensor in fresh air. Perform CO ₂ background calibration. Check detailed status of measurements with software tools. (see Note) |
| 6 | 64 | Memory error Error during memory operations. | Check detailed settings and configuration with software tools. |
| 7 | 128 | Reserved | |

Table 6. Error code and action plan

Note. Any probe is out of range. It occurs, for instance, during over-exposure of CO₂ sensor, in which case the error code will automatically reset when the measurement values return to normal. It could also indicate the need of zero point calibration. If the CO₂ readings are normal, and still the error code remains, any other sensor probe mounted (if any) can be defect, or the connection to this probe is broken.

Remark: If several errors are detected at the same time the different error code numbers will be added together into one single error code!

IMPORTANT NOTICE

1. Senseair reserves the right to make changes to the information contained in this document without notice. When you consider any use or application of Senseair product stipulated in this document ("Product"), please make inquiries the sales office of Senseair or authorised distributors as to current status of the Products.
2. All information included in this document are provided only to illustrate the operation and application examples of Senseair Products. Senseair neither makes warranties or representations with respect to the accuracy or completeness of the information contained in this document nor grants any license to any intellectual property rights or any other rights of Senseair or any third party with respect to the information in this document. You are fully responsible for use of such information contained in this document in your product design or applications. Senseair ASSUMES NO LIABILITY FOR ANY LOSSES INCURRED BY YOU OR THIRD PARTIES ARISING FROM THE USE OF SUCH INFORMATION IN YOUR PRODUCT DESIGN OR APPLICATIONS.
3. The Product is neither intended nor warranted for use in equipment or systems that require extraordinarily high levels of quality and/or reliability and/or a malfunction or failure of which may cause loss of human life, bodily injury, serious property damage or serious public impact, including but not limited to, equipment used in nuclear facilities, equipment used in the aerospace industry, medical equipment, equipment used for automobiles, trains, ships and other transportation, traffic signaling equipment, equipment used to control combustions or explosions, safety devices, elevators and escalators, devices related to electric power, and equipment used in finance-related fields. Do not use Product for the above use unless specifically agreed by Senseair in writing.
4. Though Senseair works continually to improve the Product's quality and reliability, you are responsible for complying with safety standards and for providing adequate designs and safeguards for your hardware, software and systems which minimise risk and avoid situations in which a malfunction or failure of the Product could cause loss of human life, bodily injury or damage to property, including data loss or corruption.
5. Do not use or otherwise make available the Product or related technology or any information contained in this document for any military purposes, including without limitation, for the design, development, use, stockpiling or manufacturing of nuclear, chemical, or biological weapons or missile technology products (mass destruction weapons). When exporting the Products or related technology or any information contained in this document, you should comply with the applicable export control laws and regulations and follow the procedures required by such laws and regulations. The Products and related Technology may not be used for or incorporated into any products or systems whose manufacture, use, or sale is prohibited under any applicable domestic or foreign laws or regulations.
6. Please contact Senseair sales representative for details as to environmental matters such as the RoHS compatibility of the Product. Please use the Product in compliance with all applicable laws and regulations that regulate the inclusion or use of controlled substances, including without limitation, the EU RoHS Directive. Senseair assumes no liability for damages or losses occurring as a result of noncompliance with applicable laws and regulations.
7. Resale of the Product with provisions different from the statement and/or technical features set forth in this document shall immediately void any warranty granted by Senseair for the Product and shall not create or extend in any manner whatsoever, any liability of Senseair.
8. This document may not be reproduced or duplicated, in any form, in whole or in part, without prior written consent of Senseair.

www.senseair.com

The logo consists of four vertical bars of varying heights above the word "Senseair" in a bold, sans-serif font.

An Asahi Kasei Group Company

©2022 Senseair AB. All rights reserved.

Document
PSP0109

Rev
9

Page
9 (9)