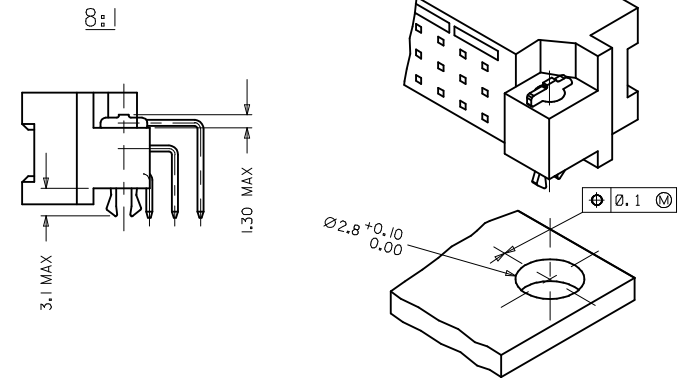


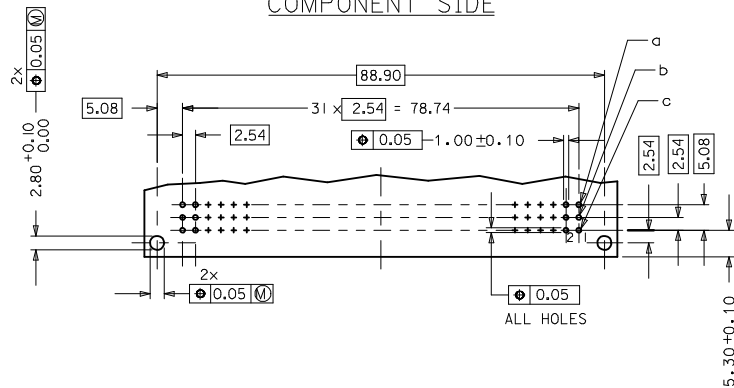
WITH MOUNTING CLIPS



NOTES:

- 1) MATERIAL : THERMOPLASTIC POLYESTER, GLASS FILLED
UL94 V-0, COLOR : PEBBLE GREY RAL 7032
TERMINAL - BRASS
MOUNTING CLIP : STEEL
- 2) FINISH : TERMINAL CONTACT AREA
1) PERFORMANCE LEVEL 3: SELECTIVE GOLD (Au), THICKNESS = 0.3 MICROMETER
OVER NICKEL, THICKNESS = 1.25 MICROMETER
TERMINATION AREA:
SELECTIVE TIN, THICKNESS = 2.5 MICROMETER
OVER NICKEL, THICKNESS = 1.25 MICROMETER OVERALL
- 3) MOUNTING CLIP :
TIN (Sn), THICKNESS = 5-10 MICROMETER
OVER NICKEL (Ni) THICKNESS = 2.5 MICROMETER
- 4) FOR NON MOUNTING CLIP OPTION, CONNECTOR TO BE SECURED WITH
RIVETS : 2 TUBULAR RIVETS 2.5 X 0.3 ... DIN 7340
SCREWS : 2 CHEESEHEAD SCREWS M2.5 X ... DIN 84 AND HEXAGONAL NUTS M2.5 DIN 934
- 5) MATERIAL NUMBER, BATCH CODE, UL AND CSA MARKING TO BE PRINTED ON THE CONNECTOR
- 6) CUT FACE OF TIP WITHOUT PLATING PERMITTED
- 7) PRODUCT SPECIFICATION PS: 36502-001

RECOMMENDED PCB LAYOUT
COMPONENT SIDE

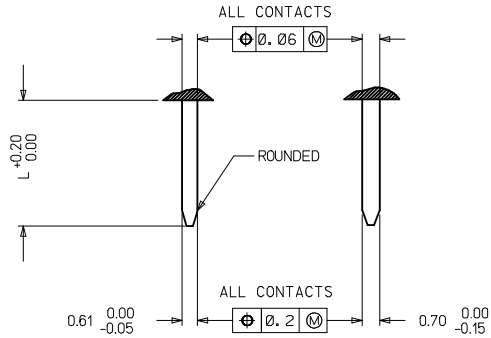


RoHS COMPLIANT

EC NO: I2009-0311 DRAWN BY: DRWNPJT CHKD BY: HARSR APPR: SPANDI DATE: 2009/02/03	QUALITY SYMBOLS ▽ 0 ▽ - 0	GENERAL TOLERANCES (UNLESS SPECIFIED)		SCALE: 1:1	DESIGN UNITS: METRIC	THIRD ANGLE PROJECTION	REVISE ON CAD ONLY
		DIMENSION STYLE: MM ONLY		DRAWN BY: SHIVA	DATE: 2004/05/17	TITLE: ASSEMBLY, DIN 41612 C MALE, 96 POS CODING	
B2	DESCRIPTION	4 PLACES ± --- ± ---	3 PLACES ± --- ± ---	CHECKED BY: KPRASAD	DATE: 2004/05/17	MATERIAL NO: 36504-0049	
		2 PLACES ± 0.15 ± ---	1 PLACE ± 0.2 ± ---	APPROVED BY: DATHA	DATE: 2004/05/17	DOCUMENT NO: SD-36504-004	SHEET NO: 1 OF 2
DRAFT WHERE APPLICABLE MUST REMAIN WITHIN DIMENSIONS		THIS DRAWING CONTAINS INFORMATION THAT IS PROPRIETARY TO MOLEX INCORPORATED AND SHOULD NOT BE USED WITHOUT WRITTEN PERMISSION					

20	19	18	17	16	15
MATERIAL NUMBER	PERF LEVEL	PLATING	STD. CONTACT SEQUENCE/ROW	PREMATING CONTACT POS.	MOUNTING CLIP
36504-0049	3	Au+Ni	a2-31, b1-32, c2-31	a1, a32, c1, c32	YES

DETAILY DETAILX



PRE MATING CONTACTS	5.4
NORMAL CONTACTS	4.8
	L

RoHS COMPLIANT

EC NO: 12009-0311 DRAWN BY: DRWNPJT 2009/02/02 CHKD BY: HARSR#09/02/02 APPR: SPANDI 2009/02/03	QUALITY SYMBOLS ▽ 0 ▽ -0	GENERAL TOLERANCES (UNLESS SPECIFIED)		SCALE: 1:1	DESIGN UNITS: METRIC	THIRD ANGLE PROJECTION	REVISE ON CAD ONLY	
		4 PLACES ± 0.15	3 PLACES ± 0.2	2 PLACES ± 0.15	1 PLACE ± 0.2	DIMENSION STYLE: MM ONLY		TITLE: ASSEMBLY, DIN 41612 C MALE, 96 POS CODING
B2	DESCRIPTION	DRAFT WHERE APPLICABLE MUST REMAIN WITHIN DIMENSIONS		DRAWN BY: SHIVA DATE: 2004/05/17	CHECKED BY: KPRASAD DATE: 2004/05/17	APPROVED BY: DATHA DATE: 2004/05/17		
		MATERIAL NO. 36504-0049		DOCUMENT NO. SD-36504-004	SHEET NO. 2 OF 2		MATERIAL NO. 36504-0049	
THIS DRAWING CONTAINS INFORMATION THAT IS PROPRIETARY TO MOLEX INCORPORATED AND SHOULD NOT BE USED WITHOUT WRITTEN PERMISSION								A1