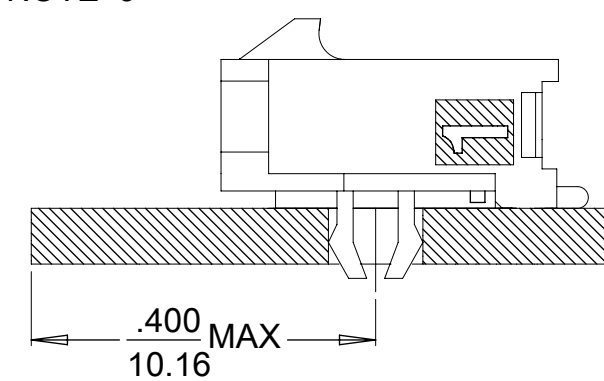
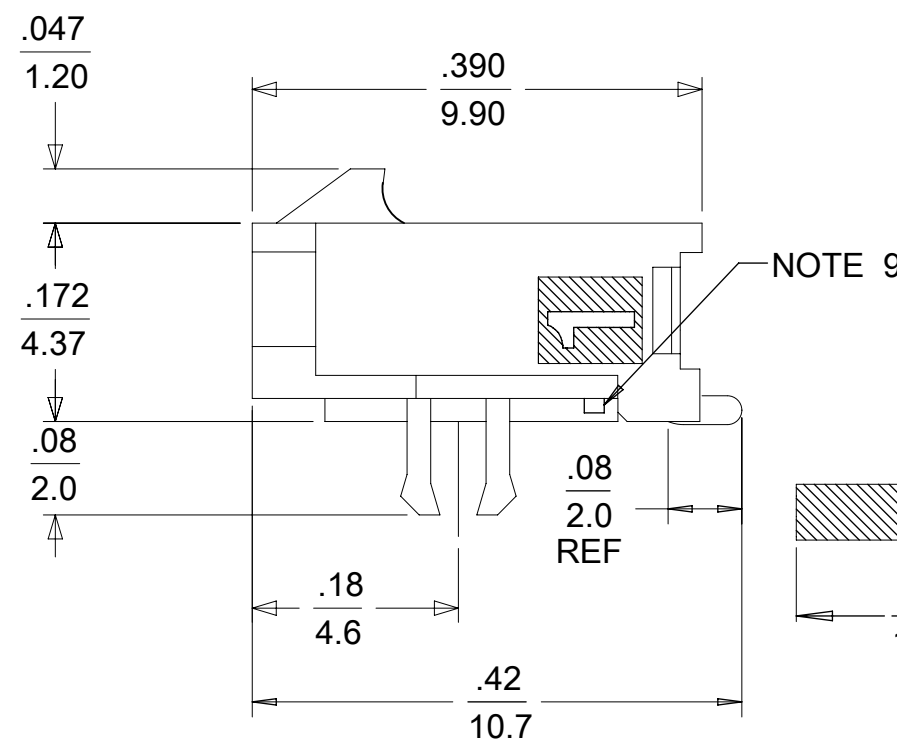
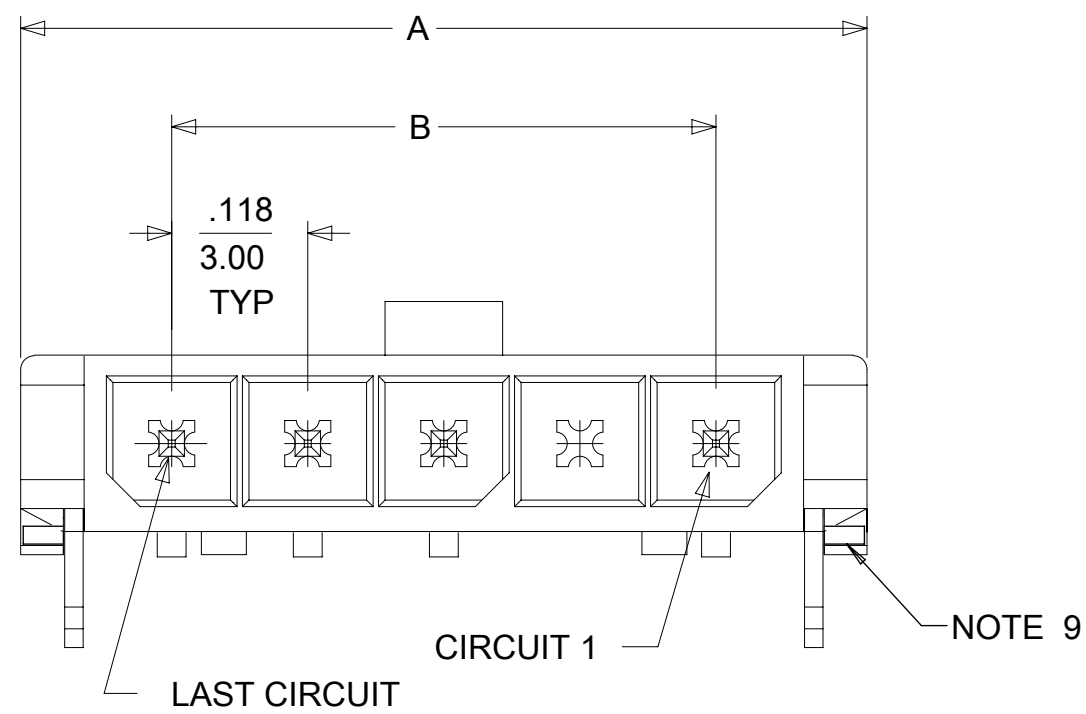
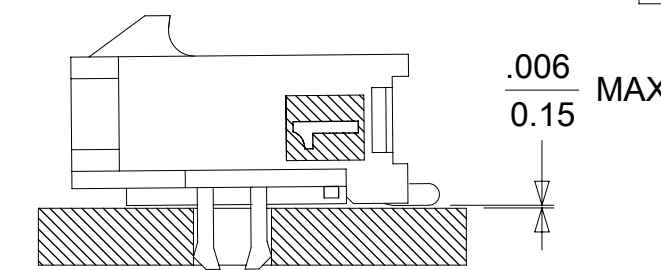


PCB LAYOUT: COMPONENT SIDE
RECOMMENDED PCB THICKNESS: .062/1.57

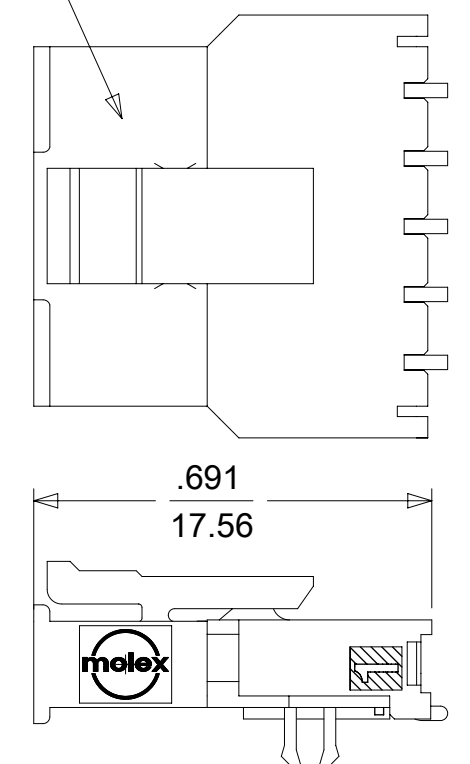


LOCATION DETAIL
SEE NOTE 8



COPLANARITY DETAIL
SEE NOTE 7

RECEPTACLE #43645



MATED MICRO FIT CONNECTORS

NOTES:

- HOUSING MATERIAL: LIQUID CRYSTAL POLYMER, GLASS FILLED, UL94V-0, COLOR: BLACK
TERMINAL MATERIAL: BRASS ALLOY
- FINISH:
A = $.000060$ /(0.00152) MIN. REFLOWED MATTE TIN OVER
 $.000050$ /(0.00127) MIN. NICKEL
(FINISH IS BRIGHT IN APPEARANCE, THICKNESS AS APPLIED PRIOR TO REFLOW)
B = $.000015$ /(0.00038) MIN. SELECT GOLD IN CONTACT AREA
 $.000100$ /(0.00254) MIN. SELECT MATTE TIN ON SOLDER TAILS
BOTH OVER $.000050$ /(0.00127) NICKEL OVERALL
C = $.000030$ /(0.00076) MIN. SELECT GOLD IN CONTACT AREA
 $.000100$ /(0.00254) MIN. SELECT MATTE TIN ON SOLDER TAILS
BOTH OVER $.000050$ /(0.00127) NICKEL OVERALL
- PRODUCT SPECIFICATION: PS-43650
- TAPE & REEL PACKAGED PER MOLEX DRAWING 436500001-PK
- MATES WITH: RECEPTACLE NUMBER 43645
- TO MINIMIZE INSERTION FORCE ON MOUNTING CLIPS DURING ROBOTIC PLACEMENT, HOLE DIAMETER SPECIFICATIONS MUST BE INCREASED MAKING THEM MORE COMPATIBLE WITH PICK AND PLACE EQUIPMENT. HOLE DIAMETERS SHOULD BE INCREASED TO APPROXIMATELY $.100 \pm .002$ /(2.54 ± 0.05) AND EVALUATED PER PLACEMENT EQUIPMENT.
- THE COPLANARITY DIMENSION IS ESTABLISHED BY PLACING THE ASSEMBLY ON A FLAT SURFACE. THE DISTANCE FROM THAT SURFACE TO THE BOTTOM OF ANY ANY TERMINAL MUST NOT EXCEED $.006$ /0.15
- TO AVOID INTERFERENCE BETWEEN RECEPTACLE AND PCB, HEADER MUST BE PLACED WITHIN $.400$ /(10.16) MAX. FROM EDGE OF PCB, AS SHOWN IN LOCATION DETAIL.
- METAL TAB MAY BE FLUSH WITH PCB. NO EXPOSED TRACES OR VIAS ALLOWED NEAR THESE AREAS.
- PARTS CONFORM TO CLASS 'B' REQUIREMENTS OF COSMETIC SPECIFICATION PS-45499-002.
- TEXT ON PART IS FOR REFERENCE ONLY. TEXT AND TEXT LOCATION MAY VARY DEPENDING ON PART NUMBER AND/OR TOOL.
- HOLES FOR CLIPS SHOULD BE PTH AND CLIPS SHOULD BE SOLDERED FOR BEST RETENTION TO PCB.

CKTS	FINISH A		FINISH B		FINISH C	
	MATERIAL NO:	VOID CKT	MATERIAL NO:	VOID CKT	MATERIAL NO:	VOID CKT
02	43650-0209		43650-0210		43650-0211	
03	43650-0309		43650-0310		43650-0311	
04	43650-0409		43650-0410		43650-0411	
05	43650-0509		43650-0510		43650-0511	
06	43650-0609		43650-0610		43650-0611	
07	43650-0709		43650-0710		43650-0711	
08	43650-0809		43650-0810		43650-0811	
09	43650-0909		43650-0910		43650-0911	
10	43650-1009		43650-1010		43650-1011	
11	43650-1109		43650-1110		43650-1111	
12	43650-1209		43650-1210		43650-1211	
03					43650-1311	02
04			43650-1410	02		

FUNCTIONAL SYMBOLS	THIS DRAWING CONTAINS INFORMATION THAT IS PROPRIETARY TO MOLEX ELECTRONIC TECHNOLOGIES, LLC AND SHOULD NOT BE USED WITHOUT WRITTEN PERMISSION		CURRENT REV DESC: CORRECT INCH/MM DIMENSIONS IN PCB LAYOUT		
	FA = 0	INCH/MM	SCALE	NTS	
DIVISIONAL SYMBOLS	FC = 0	GENERAL TOLERANCES (UNLESS SPECIFIED)		EC NO: 739185 DRWN: MKIPPER CHK'D: MKIPPER APPR: FSMITH 2023/02/17	
	FP = 0	MM	INCH		2023/02/17
		4 PLACES	±	±	INITIAL REVISION: DRWN: SAMIEC 2000/07/07 APPR: FSMITH 2016/03/18
		3 PLACES	±	± 0.01	
		2 PLACES	±	± 0.25 ± 0.014	2023/02/17
		1 PLACE	±	± 0.36 ±	
		0 PLACES	±	±	
		ANGULAR TOL	±	± 0.5 °	
		DRAFT WHERE APPLICABLE MUST REMAIN WITHIN DIMENSIONS			
		THIRD ANGLE PROJECTION			
		DRAWING			
		SERIES			
		C-SIZE		43650	

DOCUMENT STATUS				P1	RELEASE DATE	2023/02/17	17:01:09
DOCUMENT NUMBER		SD-43650-004	DOC TYPE		PSD	DOC PART	000
CUSTOMER		GENERAL MARKET	SHEET NUMBER		1 OF 1		

molex

MICRO FIT (3.0) RIGHT ANGLE SMT CLIPS
SINGLE ROW / TAPE AND REEL

PRODUCT CUSTOMER DRAWING

DOCUMENT NUMBER

SD-43650-004

DOC TYPE

PSD

DOC PART

000

E4

MATERIAL NUMBER

CUSTOMER

SEE CHART

GENERAL MARKET

SHEET NUMBER

1 OF 1