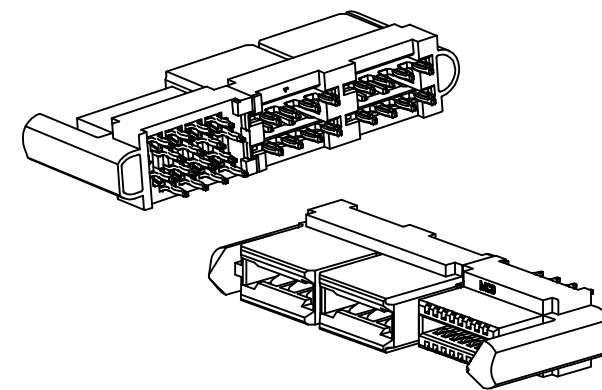
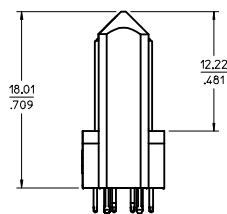
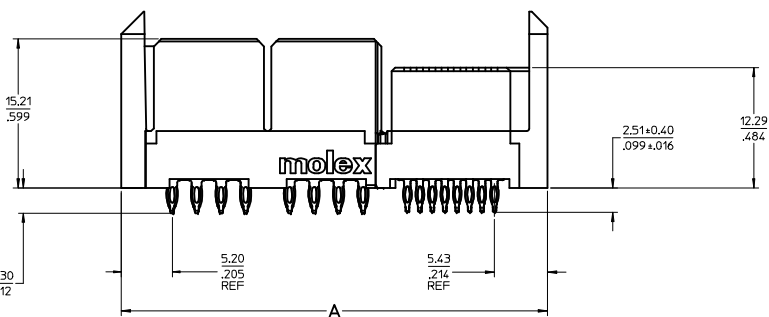
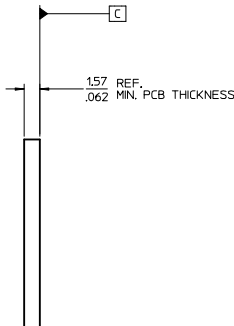
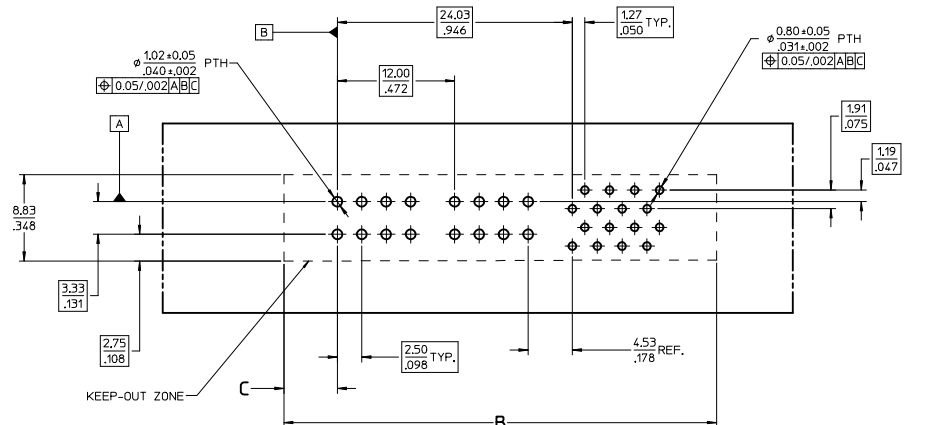


NO OF SIGNALS	MATERIAL NUMBER	COMPLIANT PIN PLATING	DIM A	DIM B	DIM C
12	46114-4120	TIN	4.10/1.615	4.15/1.634	5.45/2.15
16	46114-4160	TIN	4.355/1.715	44.05/1.734	
20	46114-4200	TIN	4.609/1.815	4.659/1.834	
24	46114-4240	TIN	4.863/1.915	49.13/1.934	
28	46114-4280	TIN	5.117/2.015	51.67/2.004	
32	46114-4320	TIN	5.371/2.115	54.21/2.134	
36	46114-4360	TIN	5.625/2.215	56.75/2.234	
40	46114-4400	TIN	5.879/2.315	59.29/2.334	



MATERIAL # 46114-4160 SHOWN

- NOTES:
- MATERIAL: HOUSING: LCP, 94-VO, COLOR: BLACK. POWER CONTACTS: COPPER ALLOY. SIGNAL CONTACTS: MODIFIED TIN BRASS.
 - FINISH: SELECT GOLD - 0.75 μM/30 μ INCHES. SELECTED TIN - 2.50 μM/100 μ INCHES. BOTH OVER NICKEL - 1.25 μM/50 μ INCHES.
 - POWER TERMINALS ARE LUBRICATED IN CONTACT AREA.
 - PARTS ARE RHIS COMPLIANT.
 - MATES TO MOLEX P/N 45985-SERIES OR CARD EDGE 1571.062.
 - PRODUCT SPECIFICATION PS-46114-001.
 - PACKAGING: PER PK-46114-003.

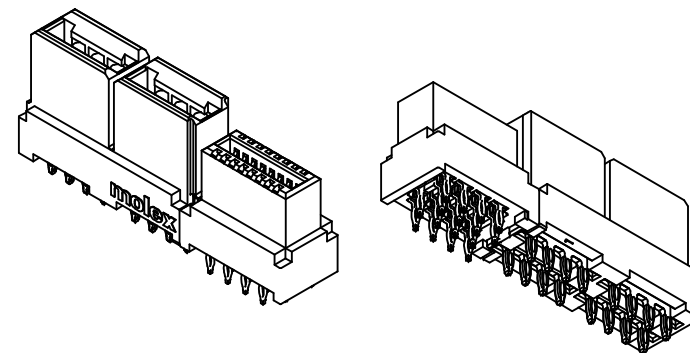
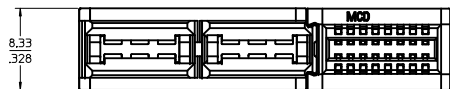


PCB COMPONENT SIDE
SCALE 4:1

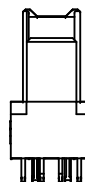
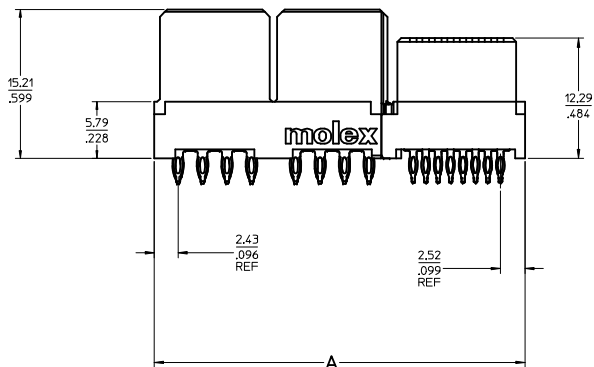
CHG MX TO MCD EC NO: S2017-0362 DRAWN BY: 2016/12/15 CHKD: JZENG APPR: KHLIN REV	QUALITY SYMBOLS	GENERAL TOLERANCES (UNLESS SPECIFIED)		DIMENSION STYLE		SCALE 4:1	DESIGN UNITS METRIC	THIRD ANGLE PROJECTION
		mm	INCH	MM/IN	DATE			
▽=0	4 PLACES ±---	±---	±---	DRAWN BY	DATE	TITLE LPH VERTICAL RECEPTACLE ASSEMBLY 4 CIRCUIT PWR CONNECTOR, PRESS FIT	DOCUMENT NO. SD-46114-400	SHEET NO. 1 OF 3
▽=0	3 PLACES ±---	±.010	CHECKED BY	DATE				
▽=0	2 PLACES ±0.25	±---	APPROVED BY	DATE				
▽=0	1 PLACE ±---	±---	JCOMERCI	2009/12/03	MATERIAL NO. SEE CHART			
▽=0	0 PLACE ±	±	ANGULAR ±1/2°		THIS DRAWING CONTAINS INFORMATION THAT IS PROPRIETARY TO MOLEX INCORPORATED AND SHOULD NOT BE USED WITHOUT WRITTEN PERMISSION			
DRAFT WHERE APPLICABLE MUST REMAIN WITHIN DIMENSIONS								

20 19 18 17 16 15 14 13 12 11 10 9 8 7 6 5 4 3 2 1

NO OF SIGNALS	MATERIAL NUMBER	COMPLIANT PIN PLATING	DIM A	DIM B	DIM C
12	46114-4121	TIN	35.34/1.391	35.84/1.411	2.691/106
16	46114-4161	TIN	37.88/1.491	38.38/1.511	
20	46114-4201	TIN	40.42/1.591	40.92/1.611	
24	46114-4241	TIN	42.96/1.691	43.46/1.711	
28	46114-4281	TIN	45.50/1.791	46.00/1.811	
32	46114-4321	TIN	48.04/1.891	48.54/1.911	
36	46114-4361	TIN	50.58/1.991	51.08/2.011	
40	46114-4401	TIN	53.12/2.091	53.62/2.111	



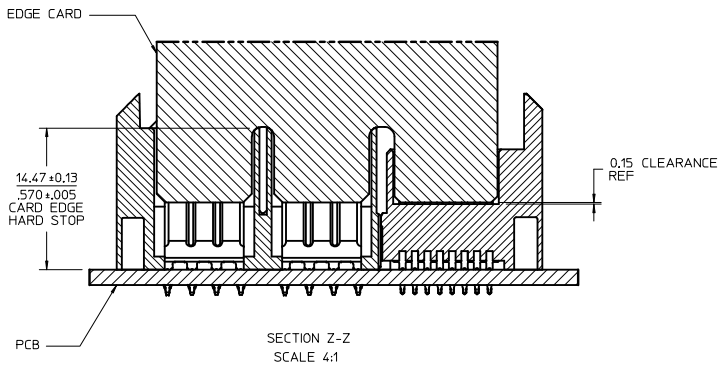
MATERIAL # 46114-4161 SHOWN



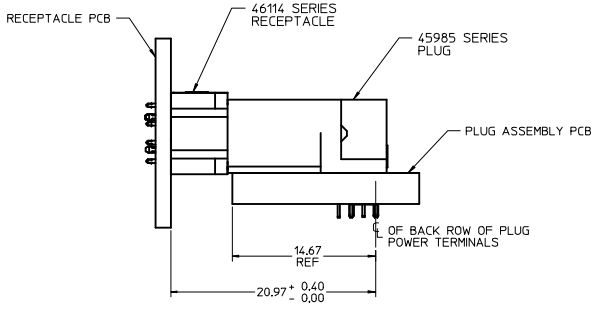
SEE SHEET 1 ELEC NO: S2017-0362 DRAWN BY: DRWALIN06 CHKD: JZENG APPR: KHLIN	2016/12/15 2016/12/21 2016/12/21	QUALITY SYMBOLS ▽=0 ▽=0 ▽=0	GENERAL TOLERANCES (UNLESS SPECIFIED)		DIMENSION STYLE MM/IN	SCALE 4:1	DESIGN UNITS METRIC	THIRD ANGLE PROJECTION	
			4 PLACES ±.010 3 PLACES ±.010 2 PLACES ±0.25 1 PLACE ±.010 0 PLACE ±.010		DRAWN BY: MKARADI MAS CHECKED BY: APATEL APPROVED BY: JCOMERC I	DATE: 07/18/07 DATE: 07/20/07 DATE: 2009/12/03	TITLE LPH VERTICAL RECEPTACLE ASSEMBLY 4 CIRCUIT PWR CONNECTOR, PRESS FIT		
DRAFT WHERE APPLICABLE MUST REMAIN WITHIN DIMENSIONS			ANGULAR ±1/2°		MATERIAL NO. SEE CHART		DOCUMENT NO. SD-46114-400		
THIS DRAWING CONTAINS INFORMATION THAT IS PROPRIETARY TO MOLEX INCORPORATED AND SHOULD NOT BE USED WITHOUT WRITTEN PERMISSION								SHEET NO. 2 OF 3	

19 18 17 16 15 14 13 12 11 10 9 8 7 6 5 4 3 2 1

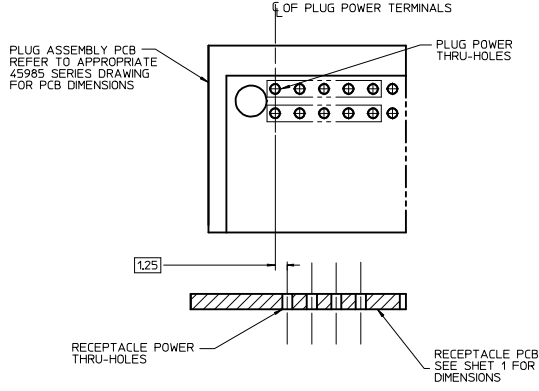
NO OF SIGNAL	DIM. D
12	8.00/315
16	10.54/415
20	13.08/515
24	15.62/615
28	18.16/715
32	20.70/815
36	23.24/915
40	25.78/1015



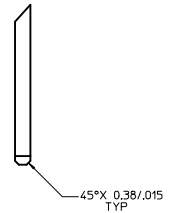
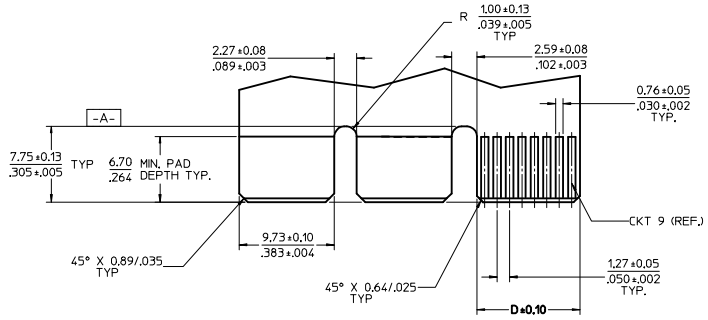
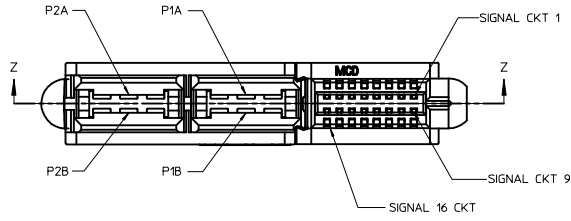
CARD EDGE MATING



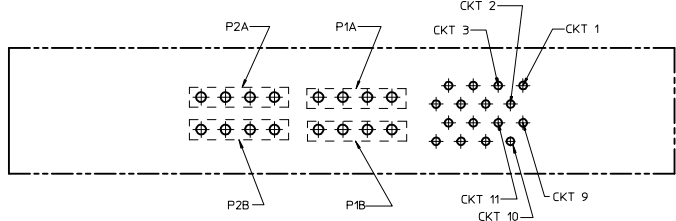
PLUG ASSEMBLY MATING



ASSEMBLY PCB ALIGNMENT



RECOMMENDED EDGE CARD LAYOUT
EDGE CARD THICKNESS: 1.57/0.62 ± 0.15/0.06
PLATING: GOLD 30 μ INCHES MIN.
OVER 150 μ INCHES NICKEL.



PCB LAYOUT: COMPONENT SIDE
SEE SH1 FOR DIMENSIONS

SEE SHEET 1 ELEC NO: SZ017-0362 DRAWN: JIN06 CHKD: JZNG APPR: KHLIM DATE: 2016/12/15 DATE: 2016/12/21 DATE: 2016/12/21	QUALITY SYMBOLS ∇=0 ∇=0 ∇=0	GENERAL TOLERANCES (UNLESS SPECIFIED) DIMENSION STYLE: MM/INCH SCALE: 4:1 DESIGN UNITS: METRIC THIRD ANGLE PROJECTION	DRAWN BY: MKARADIMAS CHECKED BY: APATEL APPROVED BY: JCOMERCI DATE: 07/18/07 DATE: 07/20/07 DATE: 2009/12/03	TITLE: LPH VERTICAL RECEPTACLE ASSEMBLY 4 CIRCUIT PWR CONNECTOR, PRESS FIT MATERIAL NO.: DRAWING NO.: SD-46114-400 SHEET NO.: 3 OF 3
	ANGULAR ±1/2° DRAFT WHERE APPLICABLE MUST REMAIN WITHIN DIMENSIONS	SEE CHART THIS DRAWING CONTAINS INFORMATION THAT IS PROPRIETARY TO MOLEX INCORPORATED AND SHOULD NOT BE USED WITHOUT WRITTEN PERMISSION		