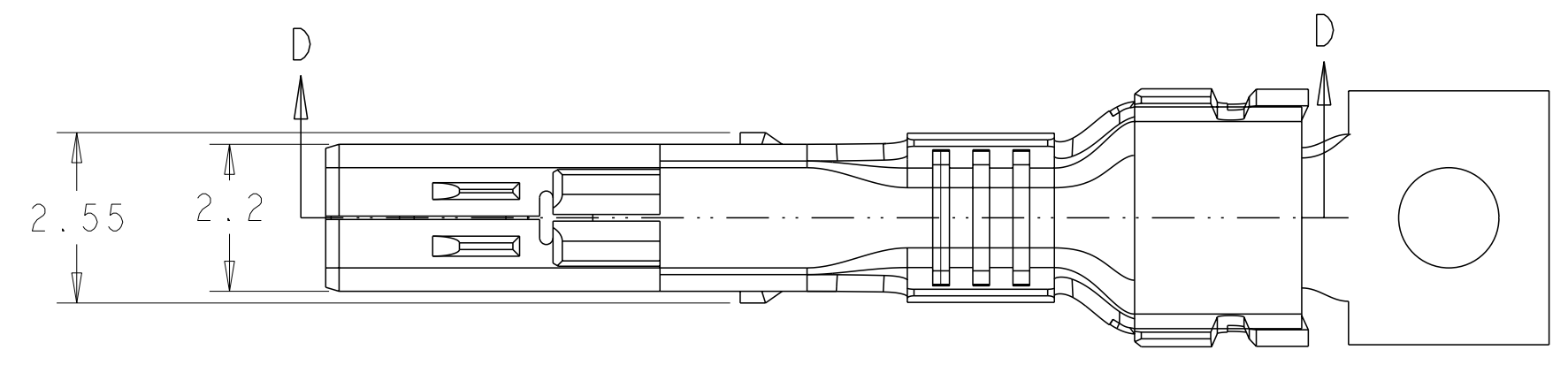
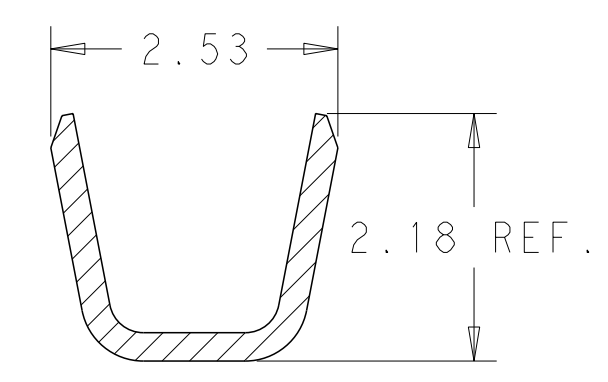
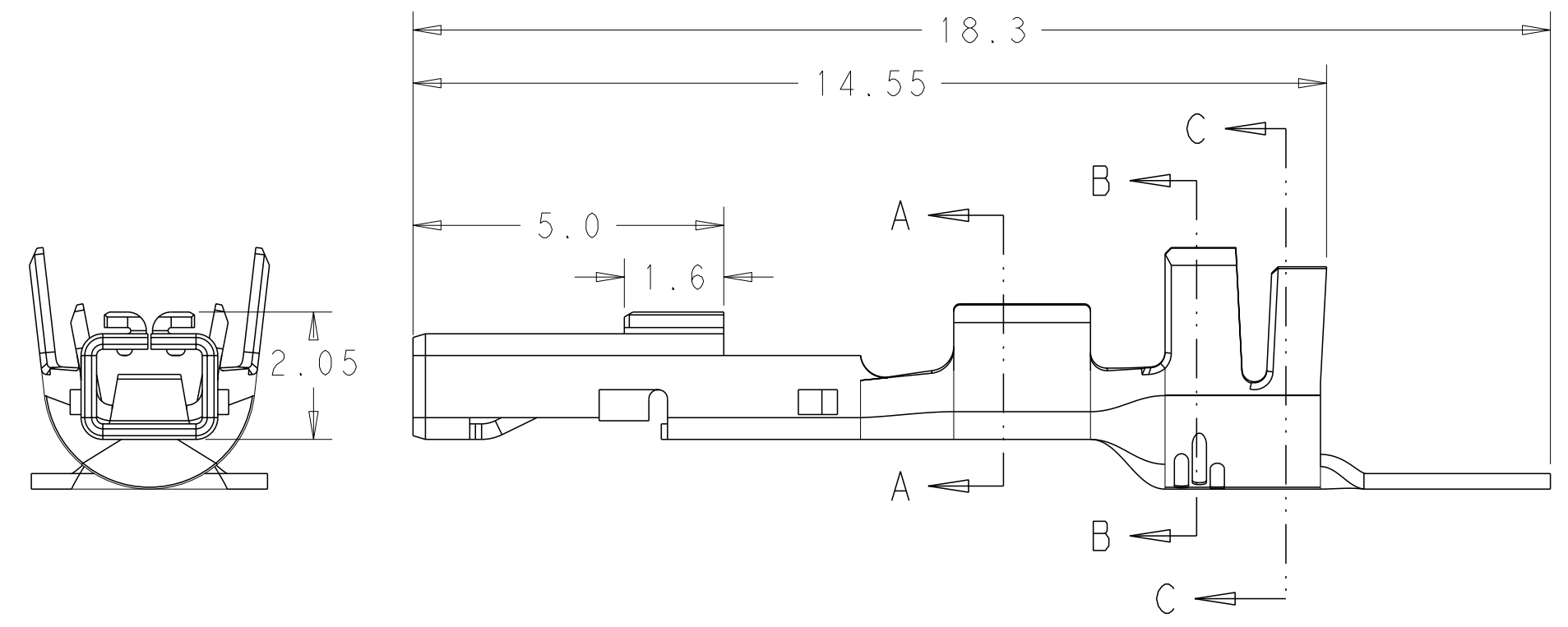


THIS DRAWING IS UNPUBLISHED. RELEASED FOR PUBLICATION
 © COPYRIGHT copyright.d8te ALL RIGHTS RESERVED.

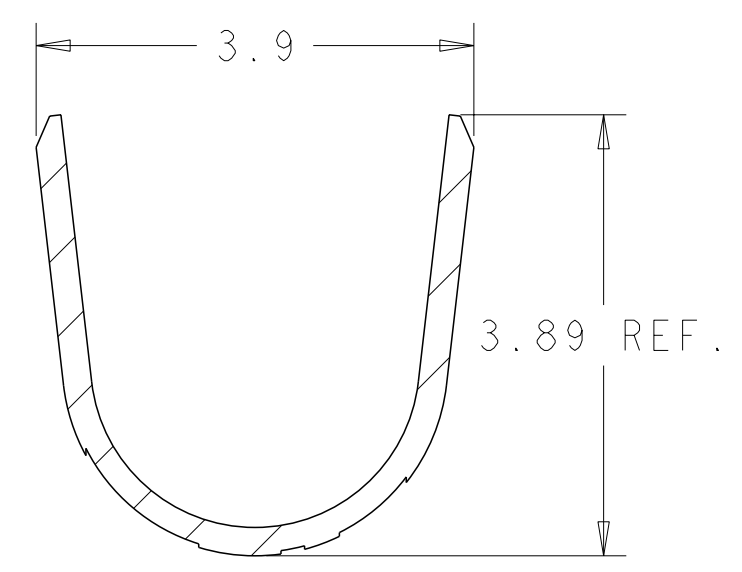
REVISIONS				
P	LTR	DESCRIPTION	DATE	APVD
A		FIRST RELEASE	24FEB2018	N.L D.Z
B		REVISED PER ECR-19-018628	29NOV2019	M.G D.Z
C		REVISED PER ECO-20-001134	18FEB2020	M.G D.Z
C1		REVISED PER ECR-20-100273	10AUG2020	M.G D.Z



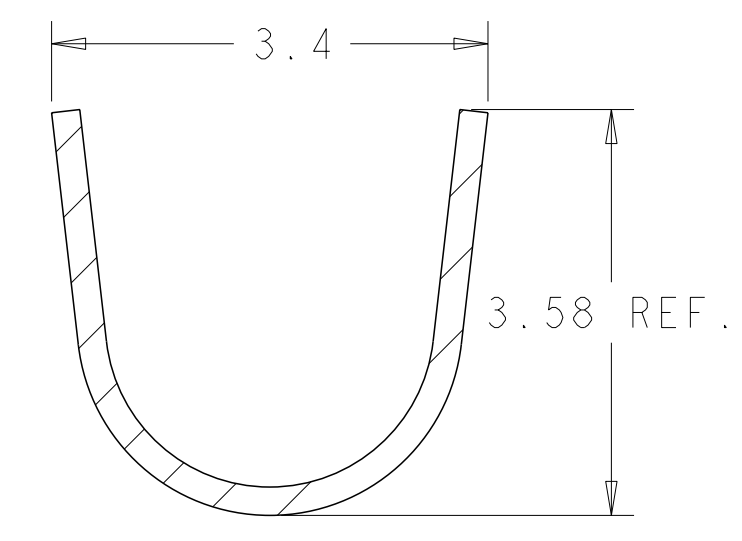
1. MATERIAL: COPPER ALLOY, PRE-TIN.
2. WIRE RANGE: 0.51-0.81mm² [20-18AWG] STRANDED.
3. INSULATION RANGE: 1.75~2.5.



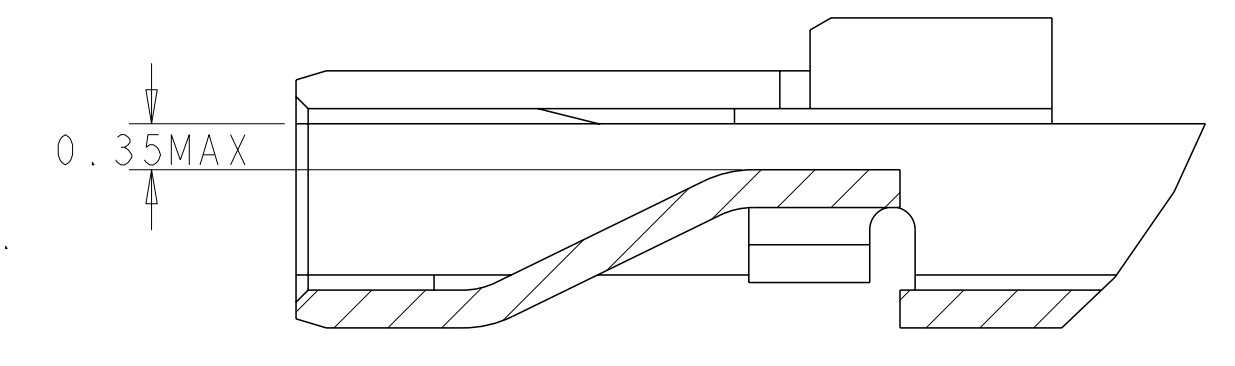
SECTION A-A
SCALE 15:1



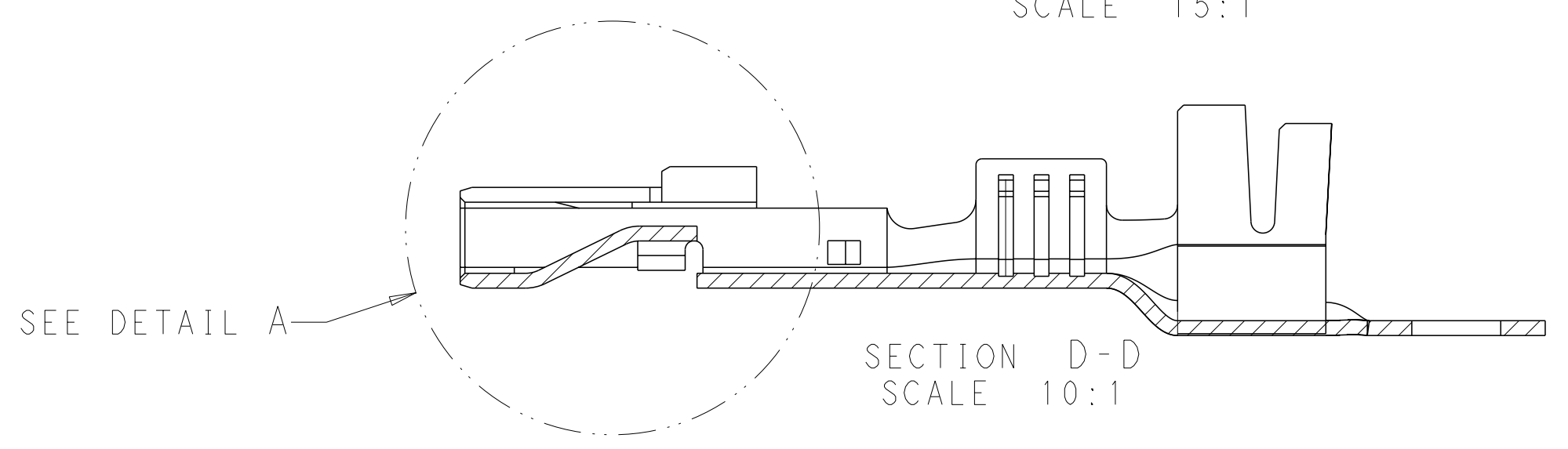
SECTION B-B
SCALE 15:1



SECTION C-C
SCALE 15:1



DETAIL A
SCALE 20:1



SECTION D-D
SCALE 10:1

LUBRICANT	1-2323832-1
	2323832-1
FINISH	PART NUMBER

THIS DRAWING IS A CONTROLLED DOCUMENT.		DWN	8SEP2017	Nina Liu	
		CHK	8SEP2017	Daniel Z	
		APVD	8SEP2017	Trevis L	
DIMENSIONS:		TOLERANCES UNLESS OTHERWISE SPECIFIED:		PRODUCT SPEC	
mm		0 PLC ±0.50		108-5410	
		1 PLC ±0.40		APPLICATION SPEC	
		2 PLC ±0.30		114-5175	
		3 PLC ±		WEIGHT	
		4 PLC ±		-	
		ANGLES ±3°		FINISH	
				-	
MATERIAL		-		CUSTOMER DRAWING	
				SCALE 5:1 SHEET 1 OF 1 REV C1	
				STE TE Connectivity	
				NAME PDL REC TERMINAL	
				SIZE A2 CAGE CODE - DRAWING NO C-2323832 RESTRICTED TO -	