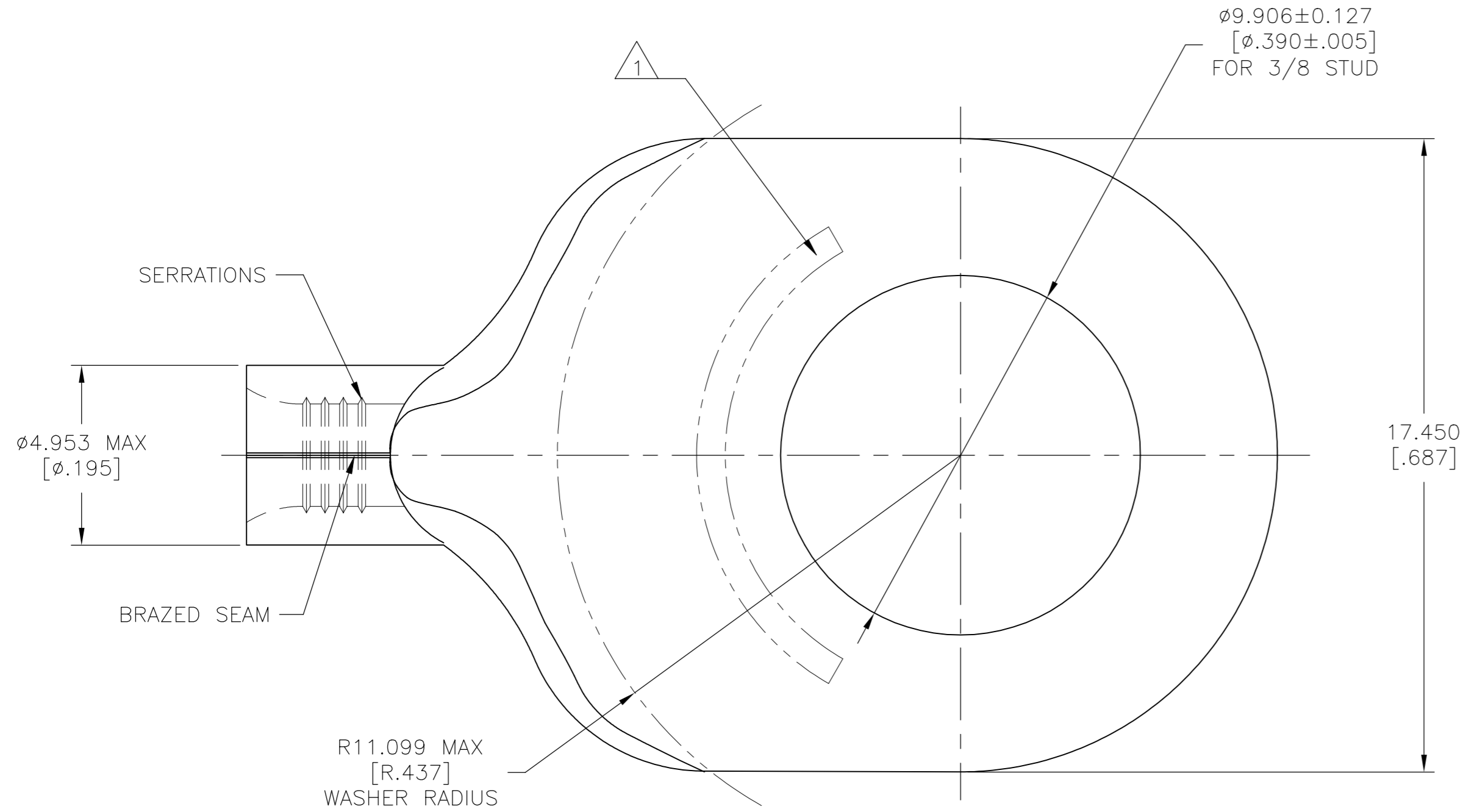


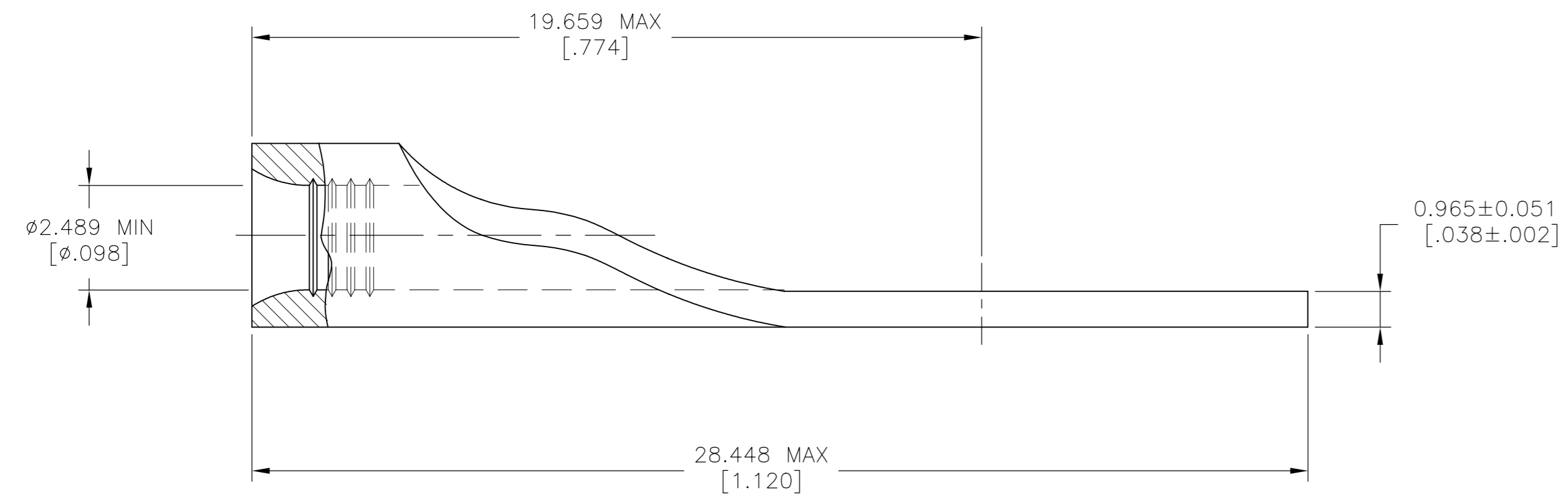
THIS DRAWING IS UNPUBLISHED. RELEASED FOR PUBLICATION  
 © COPYRIGHT - TE Connectivity Ltd. ALL RIGHTS RESERVED.

REVISIONS					
P	LTR	DESCRIPTION	DATE	DWN	APVD
E		REV/ 0G10-0141-98	28SEP98	-	MB
E1		REVISED PER ECO-17-008806	21FEB2018	RS	DR



<b>AMP</b> WIRE RANGE	E13288 Listed
14-12 AWG SOLID OR STRANDED	14-12 AWG STRANDED
LR7189 Certified	MILITARY P/N AND CLASS
14-12 AWG SOLID OR STRANDED	NOT APPLICABLE

1 STAMP AMP 14-12\* APPROX AS SHOWN



500	LOOSE PIECE	34486
QTY	PACKAGE TYPE	PART NUMBER

AMP INCORPORATED CUSTOMER SERVICE SYSTEMS		THIS DRAWING IS A CONTROLLED DOCUMENT.		DWN TA BRINKMAN 3-17-93	TE Connectivity Ltd. NAME TERMINAL, RING TONGUE, SOLISTRAND 14-12 AWG
FOR ADDITIONAL PRODUCT INFORMATION OR COPIES OF DRAWINGS AND TECHNICAL DOCUMENTS	PRODUCT INFORMATION CENTER 1-800-522-6752	MAX RECOMMENDED OPERATING TEMPERATURE: 170°C [338°F] MAX	DIMENSIONS: mm [INCHES]	CHK DA PATTERSON 3-17-93	
FOR APPLICATION	TOOLING ASSISTANCE CENTER	VOLTAGE RATING: NOT APPLICABLE	 0 PLC ± - 1 PLC ± - 2 PLC ± - 3 PLC ± 0.127[.005] 4 PLC ± - - ANGLES ± -	APVD DE MILLER 3-17-93	RESTRICTED TO
TOOLING INFORMATION	1-800-722-1111	WIRE CROSS SECTIONAL AREA RANGE, 1.65-4.17mm²[3,260-8,230] CIR MILS SOLID OR STRANDED		MATERIAL COPPER PER ASTM B-152 ANNEALED	PRODUCT SPEC UL 486 A-B
FOR ORDER ENTRY	1-800-526-5142			FINISH TIN PLATE 0.00254[.000100] MIN THK PER ASTM B545	CAGE CODE 00779
				WEIGHT	DRAWING NO 34486
				CUSTOMER DRAWING	SCALE 8:1
					SHEET 1 OF 1
					REV E1