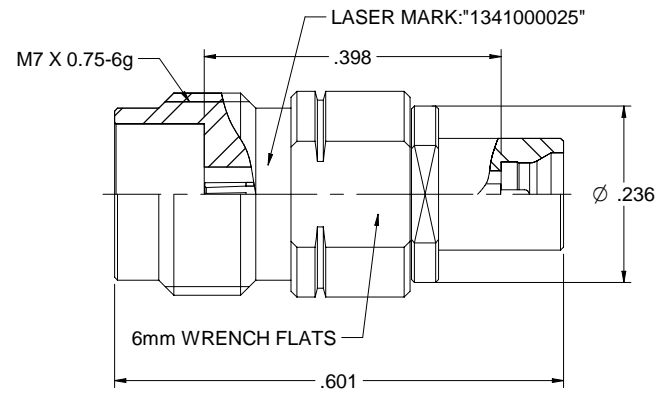


MODEL NO.	PACKAGING
134-1000-025	ONE PCS PER BAG

REV	ECO	DATE
001	ECO-17-0033	12/18/2017
002	ECO-18-0020	08/21/2018



NOTES: UNLESS OTHERWISE SPECIFIED

1. MATERIAL & FINISH:
  - 1.1 BODY & CONTACT BODY: PASSIVATED STAINLESS STEEL
  - 1.2 CONTACT PIN: GOLD PLATED BERYLLIUM COPPER
  - 1.3 INSULATOR: ULTEM 1000 AMBER
2. ELECTRICAL:
  - 2.1 IMPEDANCE: 50 OHMS
  - 2.2 FREQUENCY RANGE: DC-67 GHz
  - 2.3 VOLTAGE STANDING WAVE RATIO: 1.25 MAX
  - 2.4 CONTACT RESISTANCE: CENTER CONTACT: 6 MILLIOHMS MAX  
OUTER CONTACT: 2.5 MILLIOHMS MAX
  - 2.5 DIELECTRIC WITHSTANDING VOLTAGE: 325VRMS MIN
  - 2.6 INSULATION RESISTANCE: 5000 MOHM MIN
3. MECHANICAL:
  - 3.1 ENGAGEMENT FORCE: 0.23 NM MAX (1.85MM)  
FULL DETENT: 19 N MAX (SMPM)
  - 3.2 DISENGAGEMENT FORCE: 0.23 NM MAX (1.85MM)  
FULL DETENT: 29 N MAX (SMPM)
  - 3.3 CONTACT RETENTION: 20 N MIN
  - 3.4 DURABILITY: 500 CYCLES MIN
4. ENVIRONMENT:
  - 4.1 THERMAL SHOCK: MIL-STD-202, METHOD 107, CONDITION B.
  - 4.2 OPERATING TEMPERATURE: -65 TO 165°C
  - 4.3 SHOCK: MIL-STD-202, METHOD 213, CONDITION I
  - 4.4 VIBRATION: MIL-STD-202, METHOD 204, CONDITION D
  - 4.5 MOISTURE RESISTANCE: MIL-STD-202, METHOD 106

	Model No. 134-1000-025	Johnson
	RoHS2 2011/65/EU <small>RoHS EXEMPTION INFORMATION</small> XXXX + 02 XXXX - 01 ANGLE: 45°	Title: ADAPTER ASSEMBLY: 1.85mm JACK TO SMPM PLUG (FULL DENTED) Drawing No. 134-1000-025 Design By: Betty Yu Date: 08/21/2018