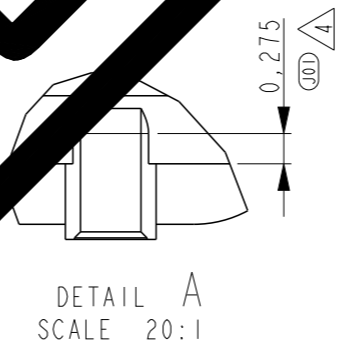
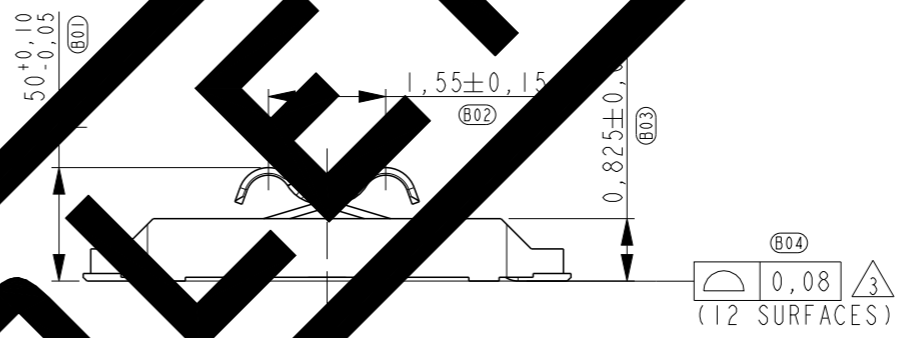
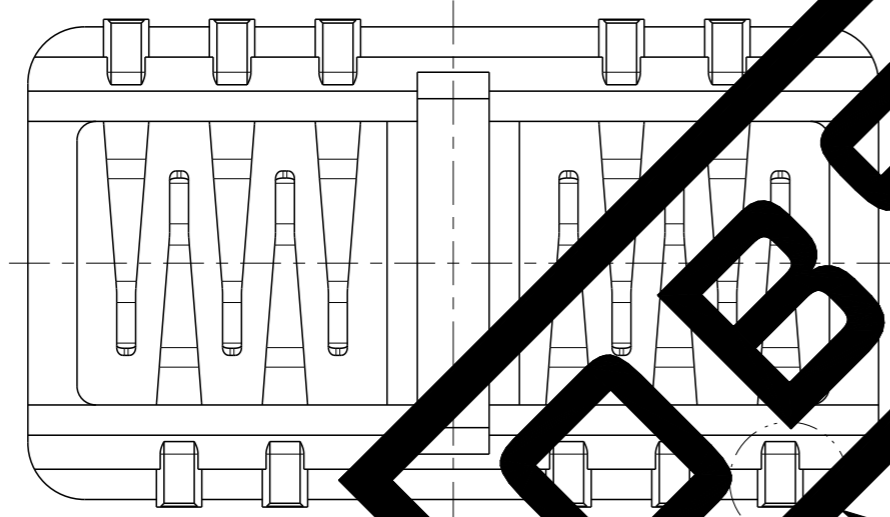
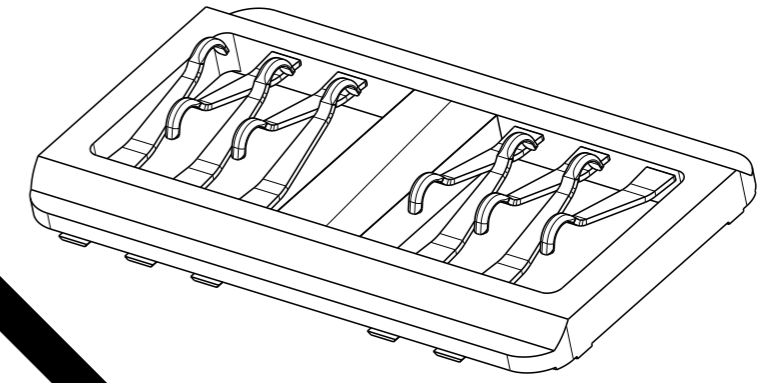
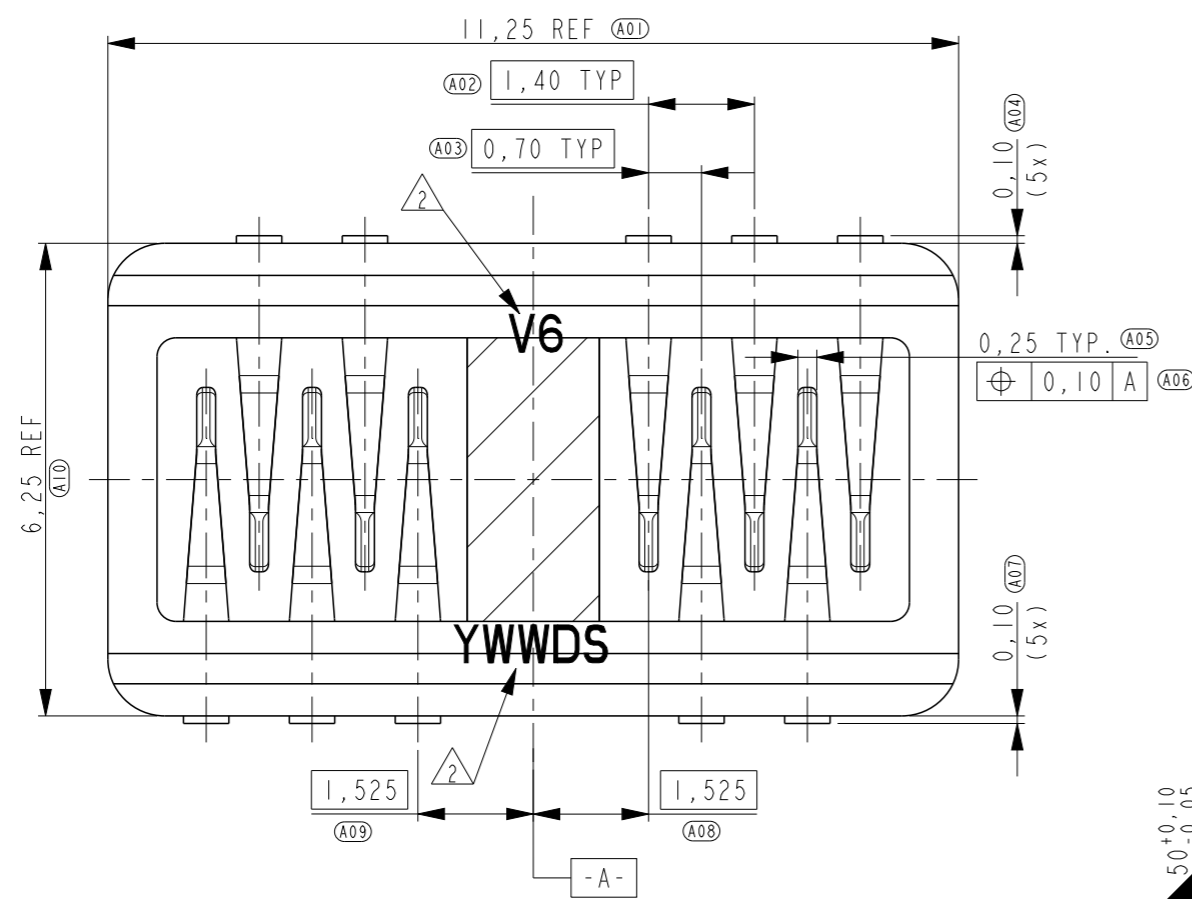


USED ON -

DWG NO 1551246
THIS DRAWING IS A CONTROLLED DOCUMENT



DETAIL A
SCALE 20:1

HARTIG HERTIGENBOSCH

NOTES:

- 1 PRODUCT AS SHOWN 1551246-2.
- 2 MARKING: "V6 YWWS", WHERE
V6 = VERSION MARKING,
YWWS = PRODUCTION DATE (YEAR, WEEK, DAY),
S = SHIFT (D = DAY, N = NIGHT).
- 3 COPLANARITY 0,08 MAX. 13 SOLDER TAILS + HOUSING BOTTOM RIBS.
- 4 INDICATED SOLDER TAIL AREA TO BE FREE OF OVER MOLDING FLASH.

| | | |
|-----------|-----------|------------------|
| 1551246-2 | 1551246-1 | LOOSE PIECE PART |
| PART NR. | MAKE FROM | DESCRIPTION |

LOC
H
DIST
-

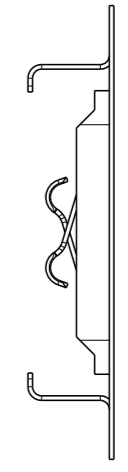
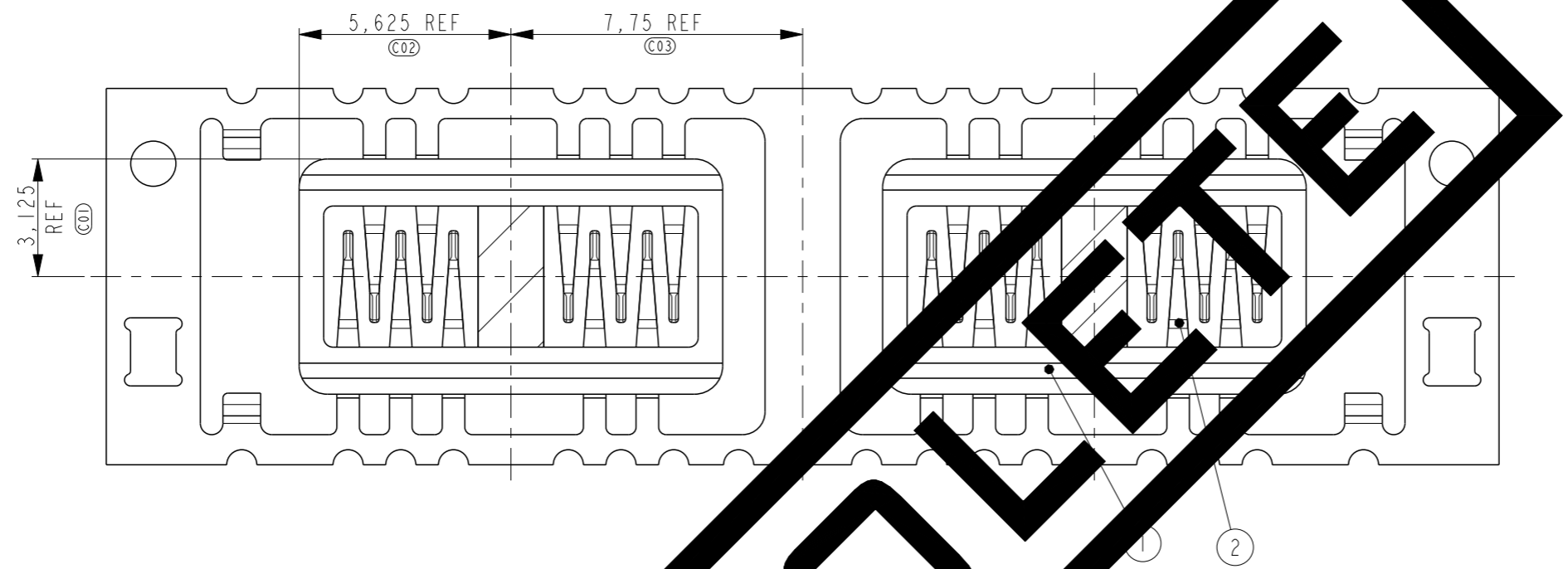
| P | LTR | REVISION RECORD | DATE | DWN | APVD |
|----|----------------|-----------------|-----------|-----|------|
| A1 | ECR-21-124751 | | 29JUL2022 | SSM | JD |
| A | ECR-10-016181 | | 03AUG2010 | PW | JD |
| II | CHANGE DIM A06 | | 25MAR2010 | PW | JD |

| | | | |
|-------------------|-------------|--|--|
| DIMENSIONS: mm | | TOLERANCES UNLESS OTHERWISE SPECIFIED: | |
| | 0 PLC ±0,2 | 1 PLC ±0,1 | |
| | 2 PLC ±0,05 | 3 PLC ±0,025 | |
| | 4 PLC ± | | |
| ANGLE± | - | | |
| SURFACE TEXTURE | | | |

| | | | | | |
|--------------------------------|-------------|---|----|------------|---------|
| DWN | 18-May-09 | MATERIAL | | HEAT TREAT | |
| CHK | P.Willems | | | | |
| APVD | M.Gosselink | Tyco Electronics Corporation 's-Hertogenbosch, Nederland | | | |
| NAME | J.Dittner | | | | |
| 10POS DOUBLE ROW B+B CONNECTOR | | | | | |
| SCALE | 6:1 | SIZE | A3 | DRAWING NO | 1551246 |
| SHEET | 1 | OF | 3 | REV | A1 |

USED ON -

DWG NO 1551246
THIS DRAWING IS A CONTROLLED DOCUMENT



OBESO LECTE

THIS INFORMATION IS CONFIDENTIAL AND PROPRIETARY TO TYCO ELECTRONICS CORPORATION AND ITS WORLDWIDE SUBSIDIARIES AND AFFILIATES. IT MAY NOT BE DISCLOSED TO ANYONE, OTHER THAN TYCO ELECTRONICS PERSONNEL, WITHOUT WRITTEN AUTHORIZATION FROM TYCO ELECTRONICS CORPORATION, HARRISBURG, PENNSYLVANIA USA.

LOC H
DIST -

| P | LTR | REVISION RECORD | DATE | DWN | APVD |
|---|-----|-----------------|------|-----|------|
| - | - | SEE SHEET 1 | - | - | - |

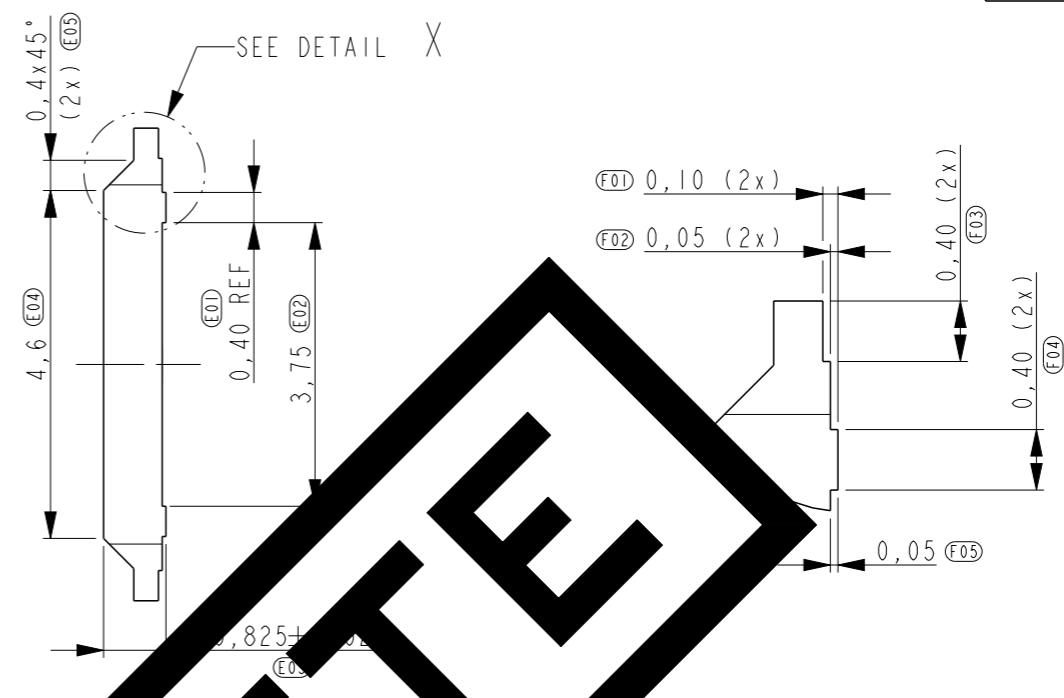
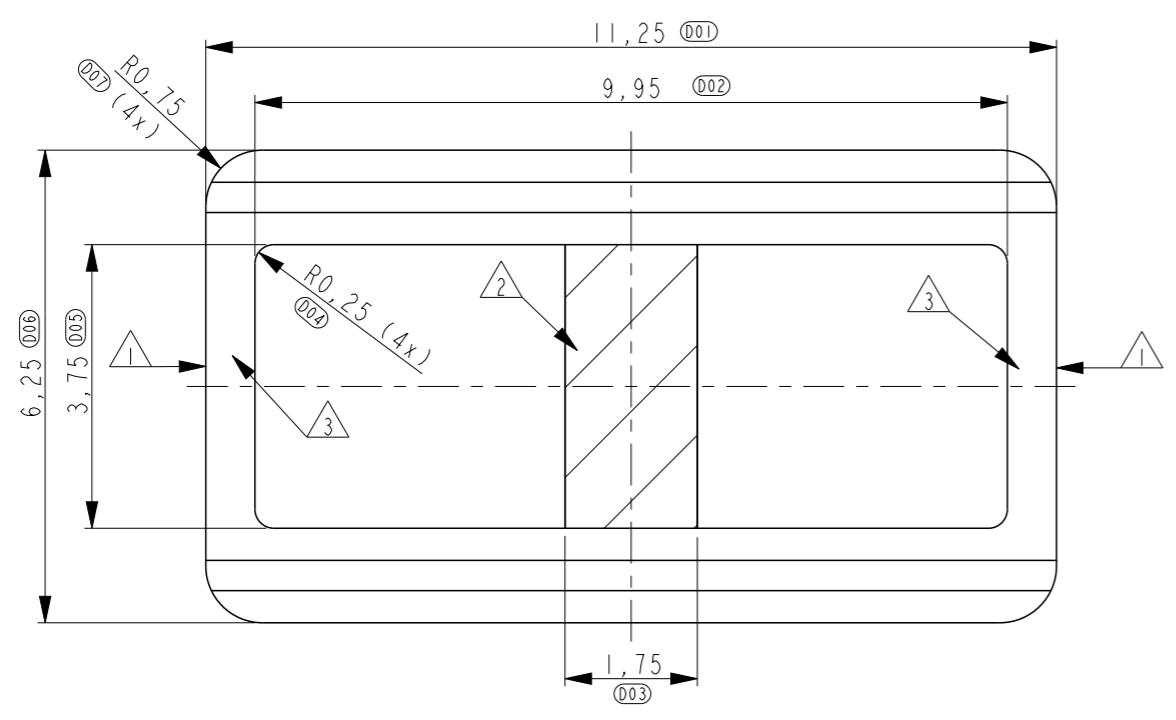
| | |
|-------------------|--|
| DIMENSIONS: mm | TOLERANCES UNLESS OTHERWISE SPECIFIED: |
| | 0 PLC ±0,2 1 PLC ±0,1 2 PLC ±0,05 3 PLC ±0,025 4 PLC ± |
| ANGLES± | - |
| SURFACE TEXTURE | |

| ITEM NO. | DESCRIPTION | PARTNUMBER | QUANTITY |
|----------|----------------------|-------------|----------|
| 2 | PLATED CONTACT STRIP | 1551245-2 | 1 |
| 1 | 1551246-1 HOUSING | SEE SHEET 3 | 1 |

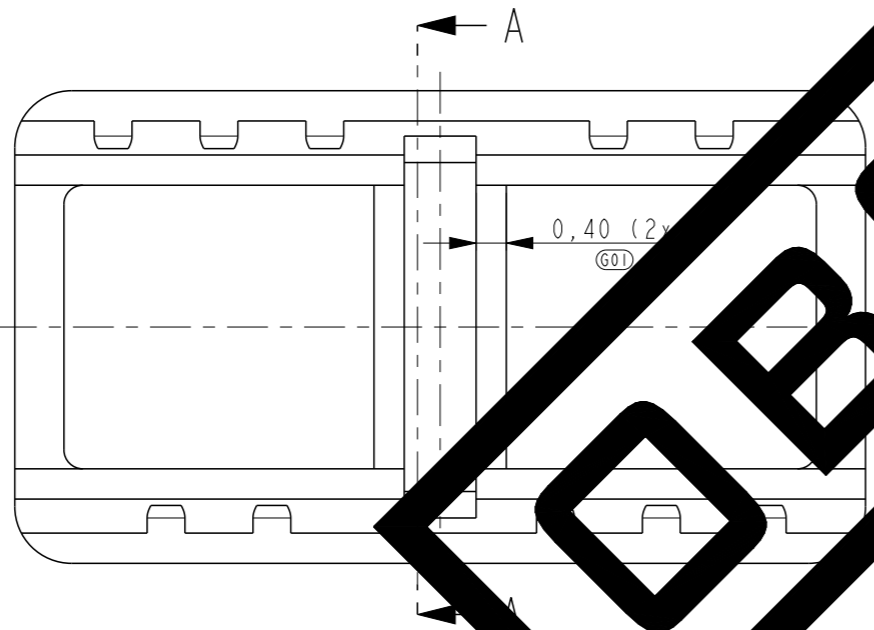
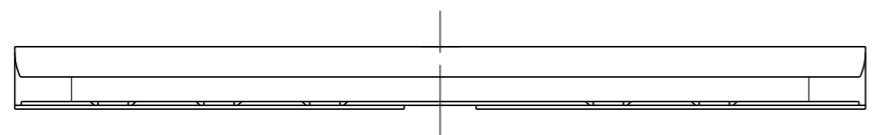
| | | | |
|-------------|--------------------------------|---|--------------|
| DWN | 18-May-09 | MATERIAL | HEAT TREAT |
| P.Willems | - | - | - |
| CHK | - | Tyco Electronics Corporation 's-Hertogenbosch, Nederland | |
| M.Gosselink | - | | |
| APVD | - | | |
| J.Dittner | | | |
| NAME | 10POS DOUBLE ROW B+B CONNECTOR | | |
| SCALE | SIZE | DRAWING NO | SHEET OF REV |
| 10:1 | A3 | 1551246 | 2 OF 3 A1 |

1551246-1

D
C
B
A



DETAIL X
SCALE 20:1



SECTION A-A

NOTES:

- 1 INJECTION POINT 0,1mm RECESSED. USE 1 OR 2 POSITIONS.
- 2 SURFACE TO BE FREE OF EJECTOR MARKINGS, SCRATCHES OR MOLDING DEFECTS.
- 3 MOLD CAVITY IDENTIFICATION 0,05 RECESSED TO BE PLACED IN 1 OF 2 INDICATED POSITIONS.
- 4 COMPLY WITH SPEC. 115-40-1. FLASH 0,05 MAX. EJECTOR PIN MARKS RECESSED, 0,10 MAX.

| | |
|----------------------------|------------------|
| PARTNUMBER | N/A |
| BASE MATERIAL | |
| COMPOUND NR.: | 704967-1 |
| COMMERCIAL NAME: | ZENITE 5154L |
| DESCRIPTION: | LCP |
| FILLER: | 45% GLASS FILLED |
| COLOUR: | BLACK |
| MATERIAL SPEC.: | 100-1353-1 |
| PROCESS | |
| MASTERBATCH: | - |
| COLOUR: | - |
| VIRGIN OR REGRIND: | 25% REGRIND MAX |
| PRODUCT | |
| VOLUME [mm ³]: | 22,75 |
| WEIGHT [g]: | - |

| | | | | | |
|--------------------------------|-------------|---|----|------------|---------|
| DWN | 18-May-09 | MATERIAL | - | HEAT TREAT | - |
| CHK | P.Willems | | | | |
| APVD | M.Gosselink | Tyco Electronics Corporation 's-Hertogenbosch, Nederland | | | |
| NAME | J.Dittner | | | | |
| 10POS DOUBLE ROW B+B CONNECTOR | | | | | |
| SCALE | 10:1 | SIZE | A3 | DRAWING NO | 1551246 |
| | | SHEET | 3 | OF | 3 |
| | | REV | A1 | | |

| | | |
|-----------------|----|--|
| DIMENSIONS: | mm | TOLERANCES UNLESS OTHERWISE SPECIFIED: |
| | | 0 PLC ±0,2 |
| | | 1 PLC ±0,1 |
| | | 2 PLC ±0,05 |
| | | 3 PLC ±0,025 |
| | | 4 PLC ± |
| ANGLE± | | |
| SURFACE TEXTURE | | |

| | | | | | |
|---|-----|-----------------|------|-----|------|
| P | LTR | REVISION RECORD | DATE | DWN | APVD |
| | | SEE SHEET 1 | | | |

| | |
|------|---|
| LOC | H |
| DIST | - |

THIS INFORMATION IS CONFIDENTIAL AND PROPRIETARY TO TYCO ELECTRONICS CORPORATION AND ITS WORLDWIDE SUBSIDIARIES AND AFFILIATES. IT MAY NOT BE DISCLOSED TO ANYONE, OTHER THAN TYCO ELECTRONICS PERSONNEL, WITHOUT WRITTEN AUTHORIZATION FROM TYCO ELECTRONICS CORPORATION, HARRISBURG, PENNSYLVANIA USA.