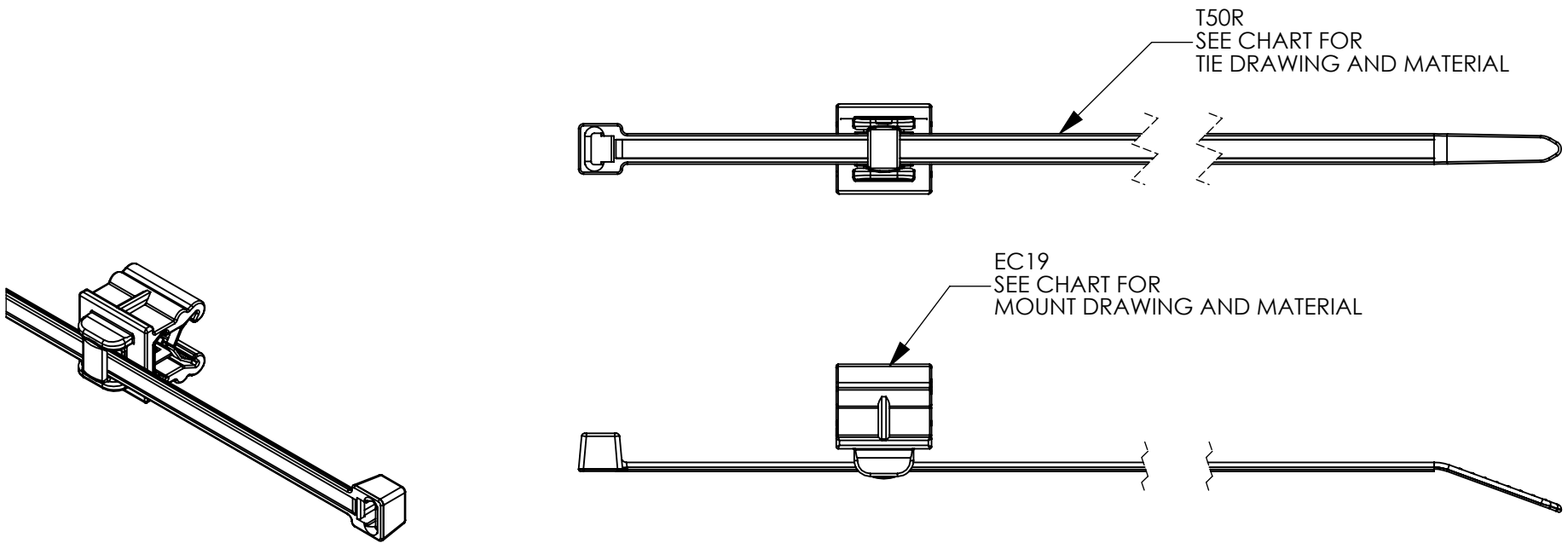


Revision level		Revision Record	Changed	Date	Approved	Date
Part	Drawing					
-	02	See ECN 011356	AAC	06/29/2009	KAC	06/29/2009



DELIVERY CONDITION:
CABLE TIE HEAD COULD BE AT THE LEFT OR RIGHT SIDE OF EDGE CLIP

TYPE	BUNDLE RANGE	CABLE TIES		MOUNT	
		DRAWING	MATERIAL	DRAWING	MATERIAL
T50REC19	5 to 50	CT2050007CST	PA66HS PA66UV PA46	XCL-HTG142CST	PA66HIRHS
T50REC19	12.7 to 44.5	CT2050007CSTPPP	PP	XCL-HTG142CST	PA66HIRHS

SEE CHART

Material

Dimension tolerances unless otherwise specified
.xxxx = ±.0005
.xxx = ±.005
.xx = ±.01
.x = ±.03
∠ = ±0.5°
Dimension Units inches
PERFORMANCE SPECIFICATION

SW 2007

ALL PROPRIETARY RIGHTS IN THE SUBJECT MATTER SHOWN ON THIS DRAWING ARE EXCLUSIVE PROPERTY OF HELLERMANNNTYTON

Drawn	AAC	03/03/2009
Approved	KAC	06/29/2009

HellermannTyton®
Cable Management Products

7930 N. Faulkner Rd.
Milwaukee, WI 53224
Ph: (414) 355-1130
Fx: (414) 362-8342

Scale	1:1	Computer File Number	CT2050060CST_02
Title			
T50REC19 T50R STANDARD CABLE TIE WITH EC19 MOUNT			
Drawing-No			Format
CT2050060CST			AH
			Sheet 1 of 1

Product Number
Cross Reference Record

Uncontrolled Document

Pre-UNS Number System	(New) UNS Universal Number System	Customer Part Number
Product Number T50REC19	Product Number 156-00537	Product Number -
Reference Drawing Number: CT2050060CST		

Issued By:	(New) UNS Product Number	Issue Date:
HellermannTyton	Universal Numbering System	July 10, 2012