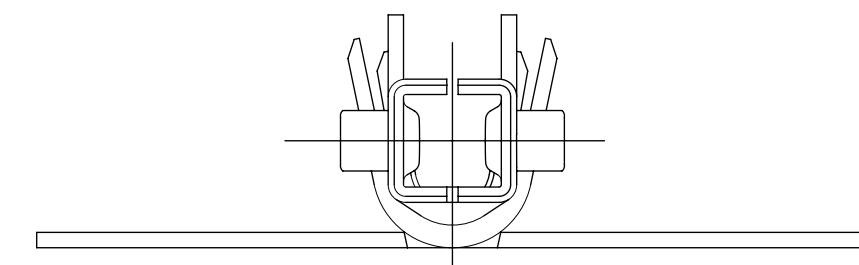


PART LEGEND

172718- * * * *

SERIES	FORM
WIRE GAGE (INS OD RANGE)	1 = CHAIN/UNLUBED
1 = 16 (Ø1.98-2.55)	2 = LOOSE/UNLUBED
2 = 16 (Ø2.55-3.14)	3 = CHAIN/LUBED
3 = 18-20 (Ø1.42-2.10)	4 = LOOSE/UNLUBED
4 = 18-20 (Ø2.10-2.85)	MATERIAL
5 = 22-24 (Ø1.07-1.65)	1 = PHOS BRONZE
6 = 22-24 (Ø1.65-2.38)	2 = BRASS
	PLATING
	1 = HOT TIN DIP (PRE-PLATE)



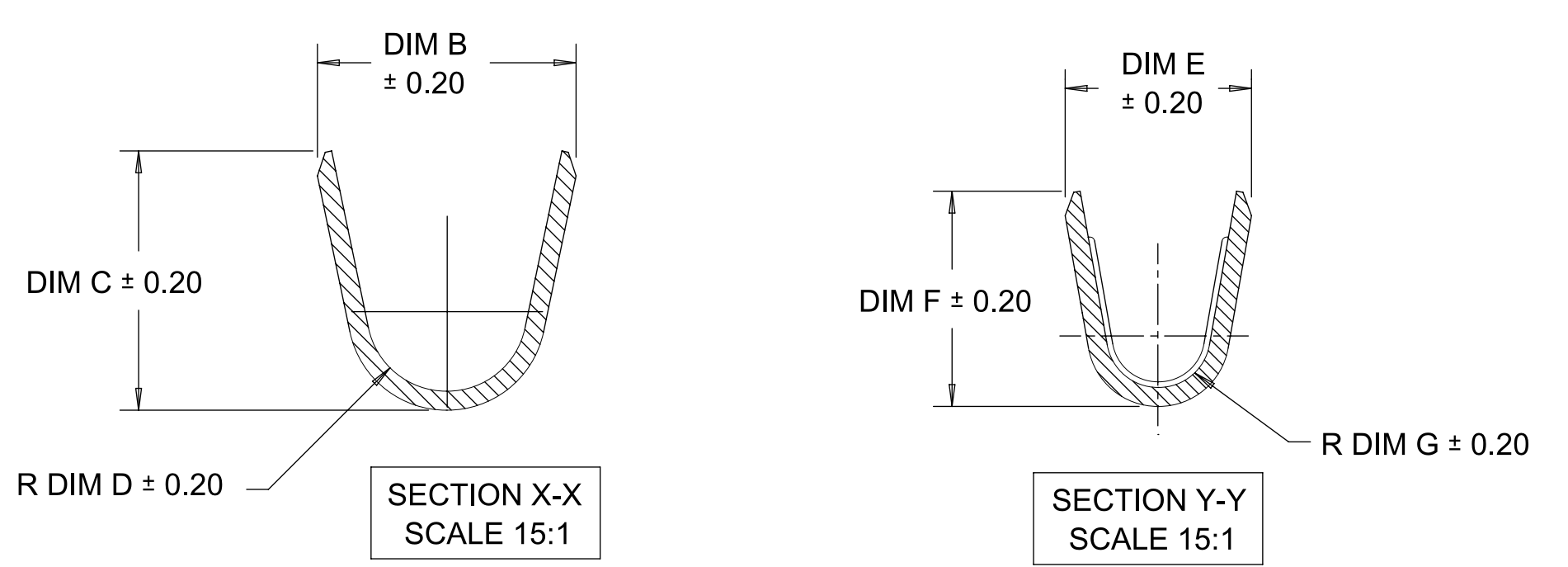
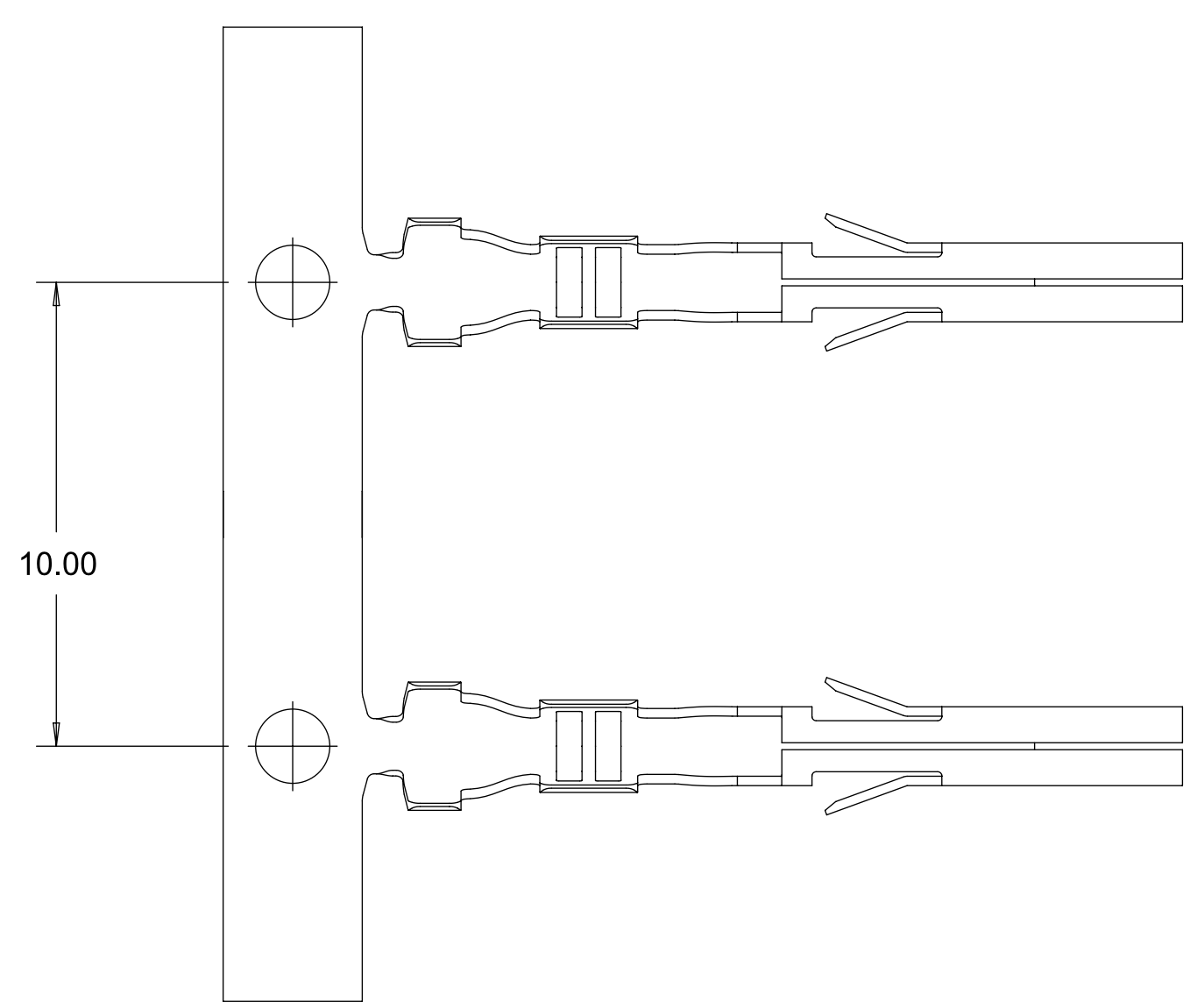
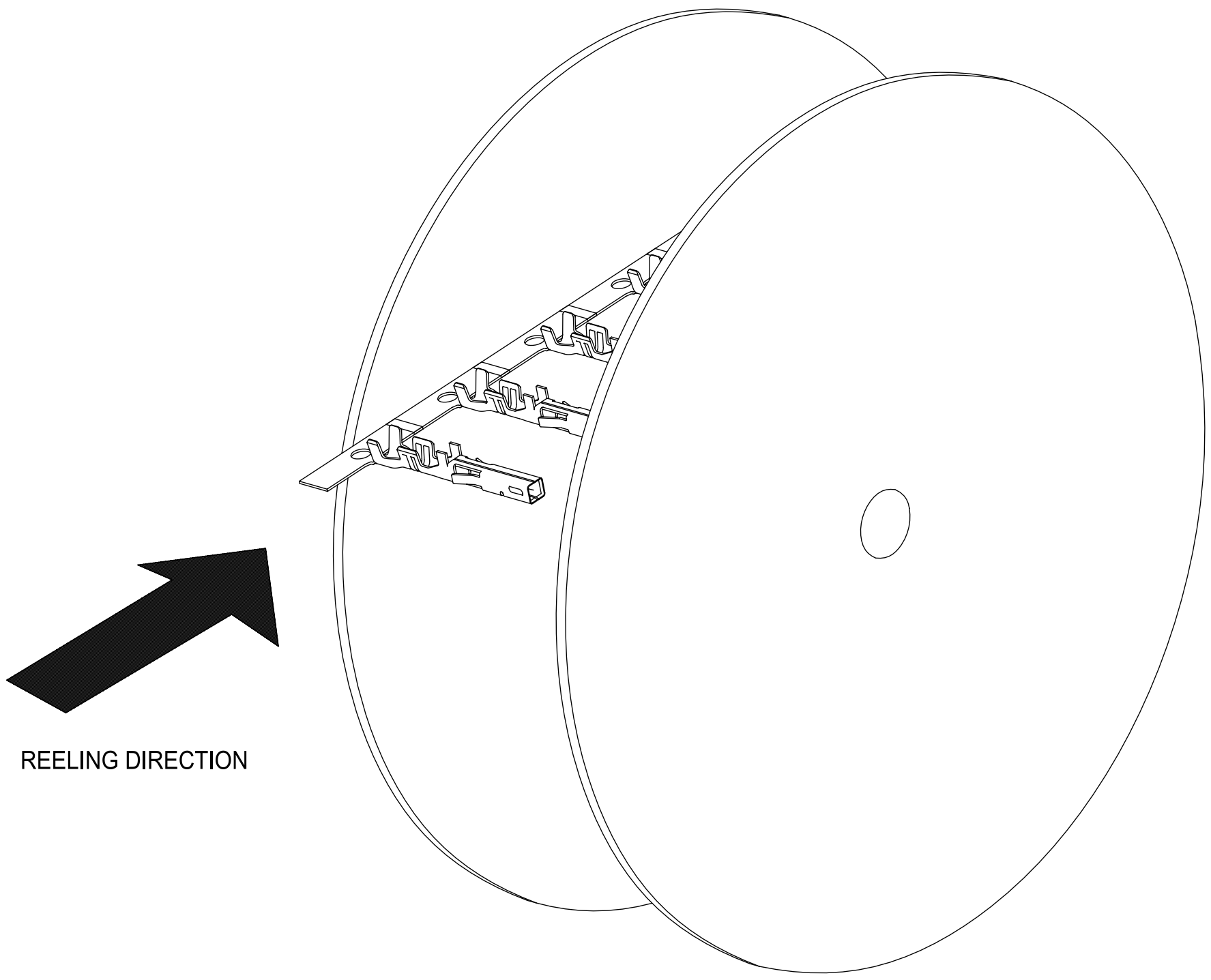
NOTES:

- MATERIALS:**
PHOS BRONZE ALLOY
BRASS ALLOY
- PRE-PLATED: HOT TIN DIP, OVERALL 2.5 m MIN. TIN.
- PRODUCT SPECIFICATION: PS-172718-0000
APPLICATION SPECIFICATION: AS-172718-0000
- THIS TERMINAL TO BE USED WITH HOUSING SERIES 172708.
- THIS TERMINAL MATES WITH MALE CRIMP TERMINAL SERIES 5558, 46012 & 172765.
- THIS TERMINAL MATES WITH HEADER SERIES 5566 & 5569.
- PACKAGING: REELS TO BE PACKED PER PK-172718-0000
LOOSE TERMINALS PER PK-172718-0001.
- PART CONFORMS TO CLASS 'B' REQUIREMENTS OF COSMETIC SPEC PS-45499-002.
- WHEN TERMINALS ARE INSTALLED IN THE HOUSING THE WIRE ARE TO BE DRESSED IN SUCH A MANNER TO ALLOW THE TERMINALS TO FLOAT FREELY IN THE HOUSING POCKET.
- THIS TERMINALS IS DESIGNED FOR SINGLE WIRE CRIMPING.
- LUBRICANT ADDED TO CONTACT INTERFACE

THIS DRAWING CONTAINS INFORMATION THAT IS PROPRIETARY TO MOLEX ELECTRONIC TECHNOLOGIES, LLC AND SHOULD NOT BE USED WITHOUT WRITTEN PERMISSION

DIMENSION UNITS	SCALE	CURRENT REV DESC:	molex					
mm	NTS							
GENERAL TOLERANCES (UNLESS SPECIFIED)			CRIMP TERMINAL RECEPTACLE MINI-FIT TPA2 AND SIGMA					
ANGULAR TOL	± °	EC NO: 746659	PRODUCT CUSTOMER DRAWING					
4 PLACES	±	DRWN: JERRYW8	2023/04/19	DOCUMENT NUMBER		DOC TYPE	DOC PART	REVISION
3 PLACES	±	CHK'D: XQZHANG	2023/04/21	SD-172718-0000		PSD	000	D7
2 PLACES	± 0.2	APPR: XQZHANG	2023/04/21	MATERIAL NUMBER		CUSTOMER		
1 PLACE	± 0.2	INITIAL REVISION:	2014/09/09	GENERAL MARKET		SHEET NUMBER		
0 PLACES	±	DRWN: TGREGORI	2014/09/24	C-SIZE		172718		
DRAFT WHERE APPLICABLE MUST REMAIN WITHIN DIMENSIONS		THIRD ANGLE PROJECTION	DRAWING	SERIES	MATERIAL NUMBER		CUSTOMER	
			C-SIZE	172718			GENERAL MARKET	
							1 OF 2	

	MOLEX PART NUMBER	BASE MAT'L	WIRE AWG	COMBINATIO N WIRE AWG	WIRE OD RANGE	DIM B	DIM C	DIM D	DIM E	DIM F	DIM G		
CHAIN	172718-1111	PHOS BOONZE	16	NA	1.98-2.55	3.27	3.43	1.00	2.35	2.90	0.70		
	172718-2111			NA	2.55-3.14	3.74	3.66	1.43					
	172718-3111		18-20	NA	1.42-2.10	2.77	2.77	0.85	2.00	2.30	0.55		
	172718-4111			22+22 AWG	2.10-2.85	3.36	3.37	1.25					
	172718-5111		22-24	NA	1.07-1.65	2.33	2.27	0.70	1.68	1.65	0.40		
	172718-6111			NA	1.65-2.38	3.14	3.09	1.00					
	LOOSE		172718-1121	BRASS	16	NA	1.98-2.55	3.27	3.43	1.00	2.35	2.90	0.70
			172718-2121			NA	2.55-3.14	3.74	3.66	1.43			
			172718-3121		18-20	NA	1.42-2.10	2.77	2.77	0.85	2.00	2.30	0.55
			172718-4121			22+22 AWG	2.10-2.85	3.36	3.37	1.25			
172718-5121		22-24	NA		1.07-1.65	2.33	2.27	0.70	1.68	1.65	0.40		
172718-5123			NA		1.07-1.65	2.33	2.27	0.70					
172718-6121		22-24	NA		1.65-2.38	3.14	3.09	1.00	1.68	1.65	0.40		
172718-1112			NA		1.98-2.55	3.27	3.43	1.00					
172718-2112		16	NA		2.55-3.14	3.74	3.66	1.43	2.35	2.90	0.70		
172718-3112			NA		1.42-2.10	2.77	2.77	0.85					
172718-4112	18-20	NA	2.10-2.85	3.36	3.37	1.25	2.00	2.30	0.55				
172718-5112		NA	1.07-1.65	2.33	2.27	0.70							
172718-6112	22-24	NA	1.65-2.38	3.14	3.09	1.00	1.68	1.65	0.40				
172718-1122		NA	1.98-2.55	3.27	3.43	1.00							
172718-2122	16	NA	2.55-3.14	3.74	3.66	1.43	2.35	2.90	0.70				
172718-3122		NA	1.42-2.10	2.77	2.77	0.85							
172718-4122	18-20	NA	2.10-2.85	3.36	3.37	1.25	2.00	2.30	0.55				
172718-5122		NA	1.07-1.65	2.33	2.27	0.70							
172718-6122	22-24	NA	1.65-2.38	3.14	3.09	1.00	1.68	1.65	0.40				



THIS DRAWING CONTAINS INFORMATION THAT IS PROPRIETARY TO MOLEX ELECTRONIC TECHNOLOGIES, LLC AND SHOULD NOT BE USED WITHOUT WRITTEN PERMISSION											
DIMENSION UNITS		SCALE		CURRENT REV DESC:							
mm		NTS									
GENERAL TOLERANCES (UNLESS SPECIFIED)				EC NO: 746659				CRIMP TERMINAL RECEPTACLE MINI-FIT TPA2 AND SIGMA			
ANGULAR TOL ± °				DRWN: JERRYW8 2023/04/19							
4 PLACES ±				CHK'D: XQZHANG 2023/04/21				PRODUCT CUSTOMER DRAWING			
3 PLACES ±				APPR: XQZHANG 2023/04/21							
2 PLACES ± 0.2				INITIAL REVISION:				DOCUMENT NUMBER: SD-172718-0000 DOC TYPE: PSD DOC PART: 000 REVISION: D7			
1 PLACE ± 0.2				DRWN: TGREGORI 2014/09/09							
0 PLACES ±				APPR: TGREGORI 2014/09/24				MATERIAL NUMBER: CUSTOMER: GENERAL MARKET SHEET NUMBER: 2 OF 2			
DRAFT WHERE APPLICABLE MUST REMAIN WITHIN DIMENSIONS				THIRD ANGLE PROJECTION		DRAWING: C-SIZE					