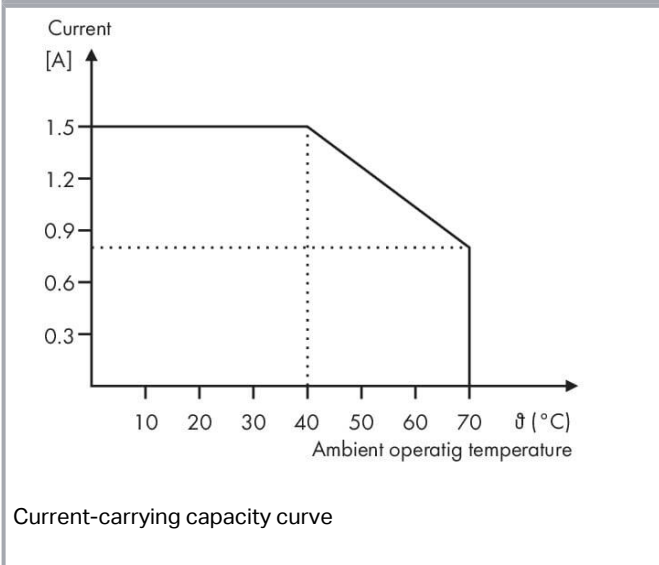
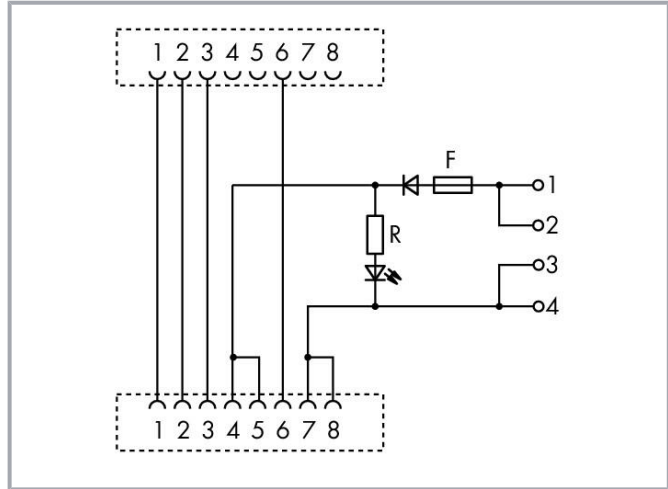
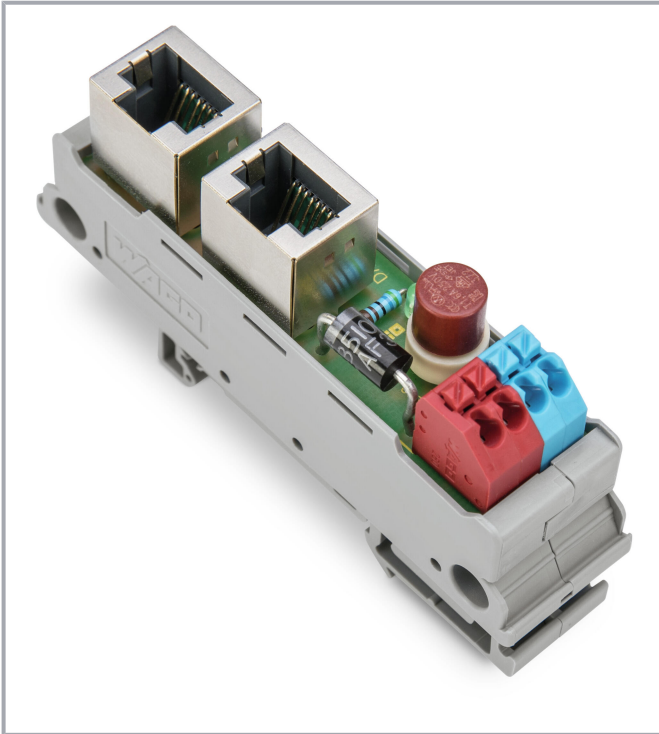


Data sheet | Item number: 289-196

Interface module; RJ-45; with power jumper contacts; PCB terminal blocks;
Cat. 5



www.wago.com/289-196



Subject to changes. Please also observe the further product documentation!

WAGO GmbH & Co. KG
Hansastr. 27
32423 Minden
Phone: +49571 887-0 | Fax: +49571 887-169
Email: info.de@wago.com | Web: www.wago.com

Do you have any questions about our products?
We are always happy to take your call at +49 (571) 887-44222.

Item description

Features:

- Interface module with RJ-45 connector for ETHERNET
- Passive PoE-injector
- For up to 100 Mbit/s, Cat. 5
- Cabinet wiring with preassembled RJ-45-patch cables

Data

Electrical data

Operating voltage	≤48 VDC
Nominal current	1.5 A
Insulation resistance	≥ 500 MΩ
Specialty functions	Passive PoE injector With LED, fuse

Safety and protection

Dielectric strength (contact/contact) (AC, 1 min)	1 kV _{rms}
---	---------------------

Connection data

Mating cycles	500
Transmission length (max.)	100 m
Connection cable	Cat. 5 (min.)

Connection 1

Connector	RJ-45 (shielded)
Pole number 1	8
Connection type 1	System
Connection type	RJ-45

Connection 2

Connector 2	RJ-45 (shielded)
Pole number 2	8
Connection type 2	System

Subject to changes. Please also observe the further product documentation!



Connection 3

Pole number 3	4
Connection type 3	Power supply
Connection technology 3	Push-in CAGE CLAMP®
WAGO connector 3	WAGO 250 Series
Solid conductor 3	0.2 ... 1.5 mm ² / 24 ... 16 AWG
Fine-stranded conductor 3	0.2 ... 1.5 mm ² / 24 ... 16 AWG
Strip length 3	8.5 ... 9.5 mm / 0.33 ... 0.37 inches

Physical data

Width	20.5 mm / 0.807 inches
Height	85 mm / 3.346 inches
Depth from upper-edge of DIN-rail	51 mm / 2.007 inches

Mechanical Data

Mounting type	DIN-35 rail
Housing design	Mounting carrier
Mating cycles	500

Material Data

Fire load	0.772 MJ
Weight	32 g

Environmental requirements

Ambient temperature (operation)	0 ... +70 °C
Ambient temperature (storage)	-40 ... +85 °C
Relative humidity	85% (non-condensing)

Commercial data

eCl@ss 10.0	27-14-11-52
eCl@ss 9.0	27-14-11-52
ETIM 8.0	EC002780
ETIM 7.0	EC002780
PU (SPU)	5 pcs

Subject to changes. Please also observe the further product documentation!

WAGO GmbH & Co. KG
 Hansastr. 27
 32423 Minden
 Phone: +49571 887-0 | Fax: +49571 887-169
 Email: info.de@wago.com | Web: www.wago.com

Do you have any questions about our products?
 We are always happy to take your call at +49 (571) 887-44222.



Packaging type	box
Country of origin	DE
GTIN	4055143572637
Customs tariff number	85366990990

Environmental Product Compliance

RoHS Compliance Status	Compliant, No Exemption
------------------------	-------------------------

Downloads

Documentation

Instruction Leaflet

		pdf 1.3 MB	Download
--	--	---------------	----------

Additional Information

Disposal and Recycling Electrical and electronic equipment, Batteries, Packaging	V 1.1.0 2022 Aug 18	pdf 2.2 MB	Download
---	------------------------	---------------	----------

CAD/CAE-Data

CAD data

2D/3D Models 289-196		URL	Download
----------------------	--	-----	----------

CAE data

EPLAN Data Portal 289-196		URL	Download
---------------------------	--	-----	----------

Environmental Product Compliance

Compliance Search

Environmental Product Compliance 289-196 Interface module; RJ-45; with power jumper contacts; PCB terminal blocks; Cat. 5		URL	Download
--	--	-----	----------

Installation Notes

Subject to changes. Please also observe the further product documentation!