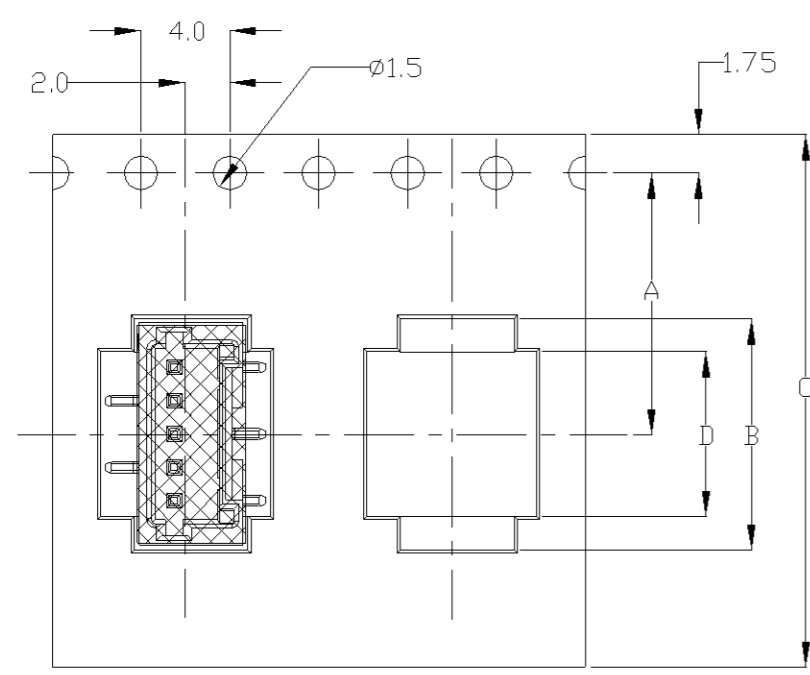
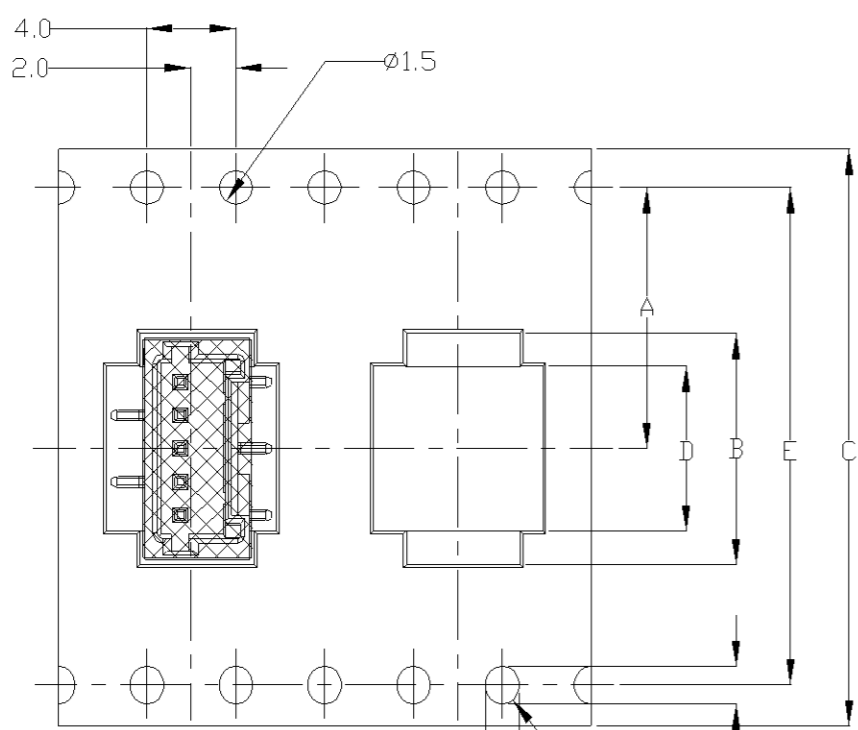


THIS DRAWING IS UNPUBLISHED. RELEASED FOR PUBLICATION  
 © COPYRIGHT BY TYCO ELECTRONICS CORPORATION. ALL RIGHTS RESERVED.

LOC	DIST	REVISIONS					
P	LTR	DESCRIPTION	DATE	DWN	APVD		
ES	00	A1	REVISED	ECR-10-004076	02MAR10	C.Z	S.Y

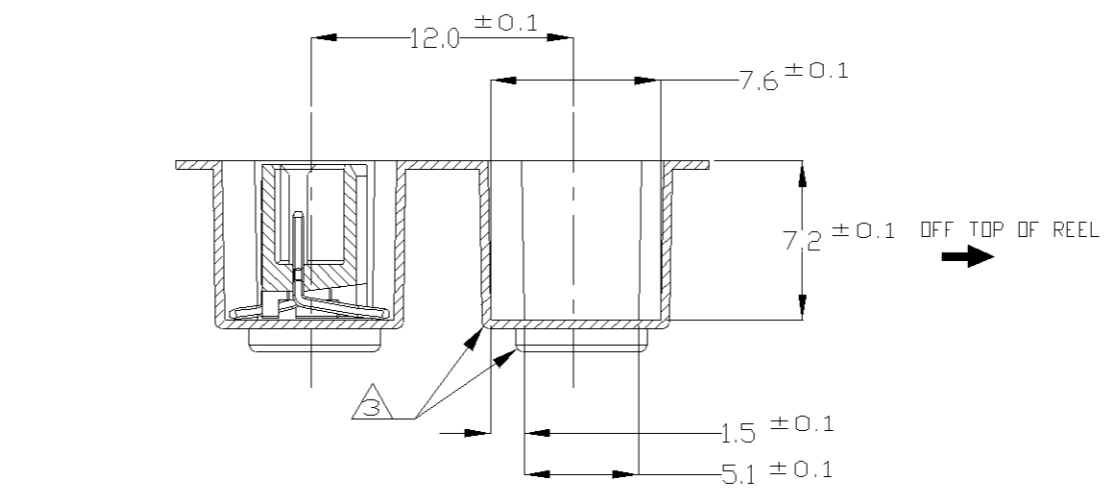
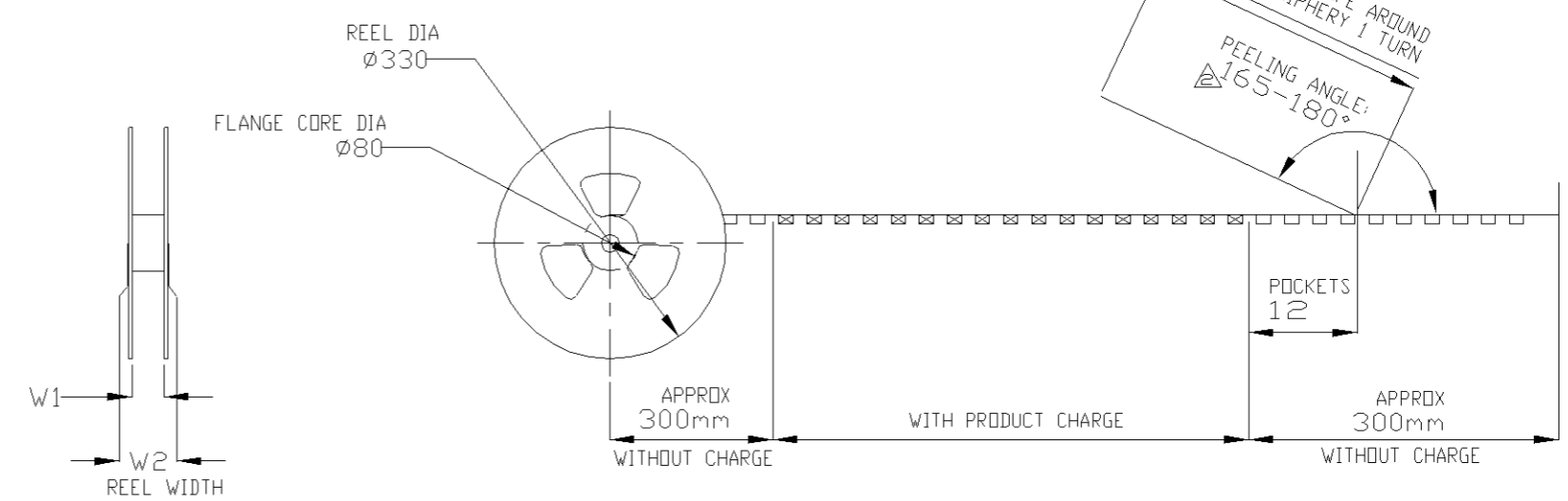
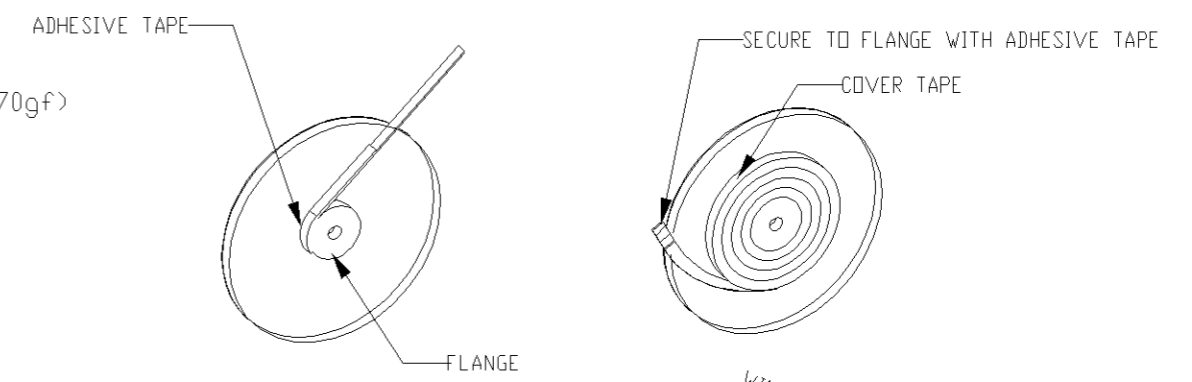


TYPE 1



TYPE 2

NOTE:  
 1. PACKAGING SPEC: 107-51081  
 ① PEELING STRENGTH: 0.20-0.69N (20-70gf)  
 PEELING ANGLE: 165-180°  
 PEELING SPEED: 300mm/MINUTE.  
 ② NO DEFORMATION ON REEL  
 4. INSPECTION NO. ①-②



THIS DRAWING IS A CONTROLLED DOCUMENT.		DWN	Roy Hao	24AUG04	Tyco Electronics Corporation Shanghai, P.R.China, 200233
DIMENSIONS: mm		CHK	Steven Yao	24AUG04	
TOLERANCES UNLESS OTHERWISE SPECIFIED:		APVD	I.Enomoto	24AUG04	NAME
0 PLC	± -	PRODUCT SPEC		SINGLE ROW POST HEADER (V) SMT TYPE W/O BOSS W/ POLYIMIDE TAPE EMBOSS PACKAGED AMP MINI CT CONN.	
1 PLC	± -	APPLICATION SPEC		SIZE	A3
2 PLC	± -	WEIGHT		CAGE CODE	00779
3 PLC	± -	CUSTOMER DRAWING		DRAWING NO	C=292371
4 PLC	± -	SCALE		SHEET	1 OF 4
ANGLES	± -	NON		REV	A1
MATERIAL	FINISH	RESTRICTED TO		-	

4

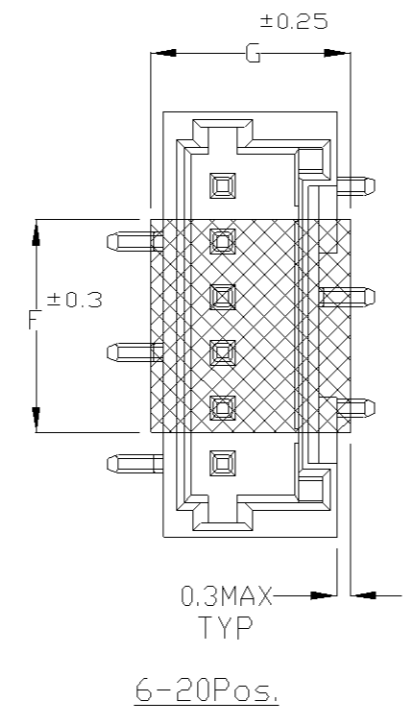
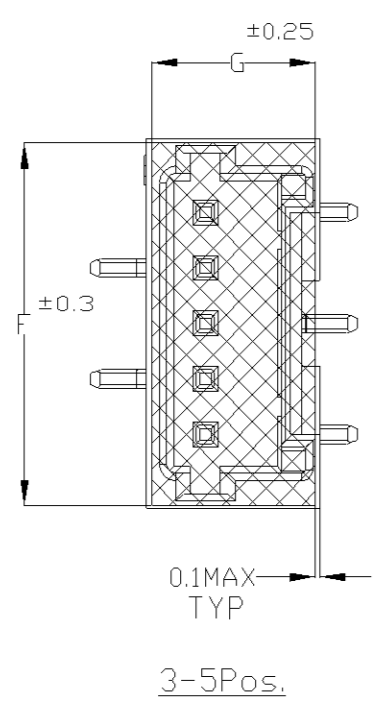
3

2

1

THIS DRAWING IS UNPUBLISHED. RELEASED FOR PUBLICATION  
 © COPYRIGHT BY TYCO ELECTRONICS CORPORATION. ALL RIGHTS RESERVED.

LOC	DIST	REVISIONS					
ES	00	P	LTR	DESCRIPTION	DATE	DWN	APVD
		-		SEE SHEET 1	-	-	-



TYPE	DIMENSIONS		G	F	E	D	C	B	A	QTY/REEL	POS	COLOR	CONNECTOR W/ POLYIMIDE TAPE P/N		ON TAPE P/N	
	W2	W1											5-292372-3	5-292371-3		
TYPE 2	49.5	45.5	5.0	9.5	20.2±0.15	14.2	500	20	BLACK	7-	-0	7-	-0			
	49.5	45.5								6-	-9	6-	-9			
	49.5	45.5								6-	-8	6-	-8			
	49.5	45.5								6-	-7	6-	-7			
	49.5	45.5								6-	-6	6-	-6			
	49.5	45.5								6-	-5	6-	-5			
	49.5	45.5								6-	-4	6-	-4			
	49.5	45.5								6-	-3	6-	-3			
	49.5	45.5								6-	-2	6-	-2			
	49.5	45.5								6-	-1	6-	-1			
TYPE 1	37.5	33.5	4.5	6.5	11.5	500	20	BLACK	5-	-9	5-	-9				
	37.5	33.5							5-	-8	5-	-8				
	37.5	33.5							5-	-7	5-	-7				
	37.5	33.5							5-	-6	5-	-6				
	37.5	33.5							5-	-5	5-	-5				
	37.5	33.5							5-	-4	5-	-4				
	37.5	33.5							5-	-3	5-	-3				
	37.5	33.5							5-	-2	5-	-2				
	37.5	33.5							5-	-1	5-	-1				
	37.5	33.5							5-	-0	5-	-0				

TYPE	DIMENSIONS		G	F	E	D	C	B	A	QTY/REEL	POS	COLOR	CONNECTOR W/ POLYIMIDE TAPE P/N		ON TAPE P/N	
	W2	W1											292372-3	292371-3		
TYPE 2	49.5	45.5	5.0	9.5	20.2±0.15	14.2	500	20	BEIGE	2-	-0	2-	-0			
	49.5	45.5								1-	-9	1-	-9			
	49.5	45.5								1-	-8	1-	-8			
	49.5	45.5								1-	-7	1-	-7			
	49.5	45.5								1-	-6	1-	-6			
	49.5	45.5								1-	-5	1-	-5			
	49.5	45.5								1-	-4	1-	-4			
	49.5	45.5								1-	-3	1-	-3			
	49.5	45.5								1-	-2	1-	-2			
	49.5	45.5								1-	-1	1-	-1			
TYPE 1	37.5	33.5	4.5	6.5	11.5	500	20	BEIGE	1-	-0	1-	-0				
	37.5	33.5														
	37.5	33.5														
	37.5	33.5														
	37.5	33.5														
	37.5	33.5														
	37.5	33.5														
	37.5	33.5														
	37.5	33.5														
	37.5	33.5														

THIS DRAWING IS A CONTROLLED DOCUMENT.		DWN Roy Hao 24AUG04	Tyco Electronics Corporation Shanghai, P.R.China, 200233	
DIMENSIONS: mm		CHK Steven Yao 24AUG04		
TOLERANCES UNLESS OTHERWISE SPECIFIED:		APVD I.Enomoto	NAME SINGLE ROW POST HEADER (V) SMT TYPE W/O BOSS W/ POLYIMIDE TAPE EMBOSS PACKAGED AMP MINI CT CONN.	
		PRODUCT SPEC -	SIZE A300779	
MATERIAL		APPLICATION SPEC -	CAGE CODE C=292371	
FINISH		WEIGHT -	DRAWING NO -	
		CUSTOMER DRAWING		RESTRICTED TO -
		SCALE NON		SHEET 2 OF 4
		REV A1		

4

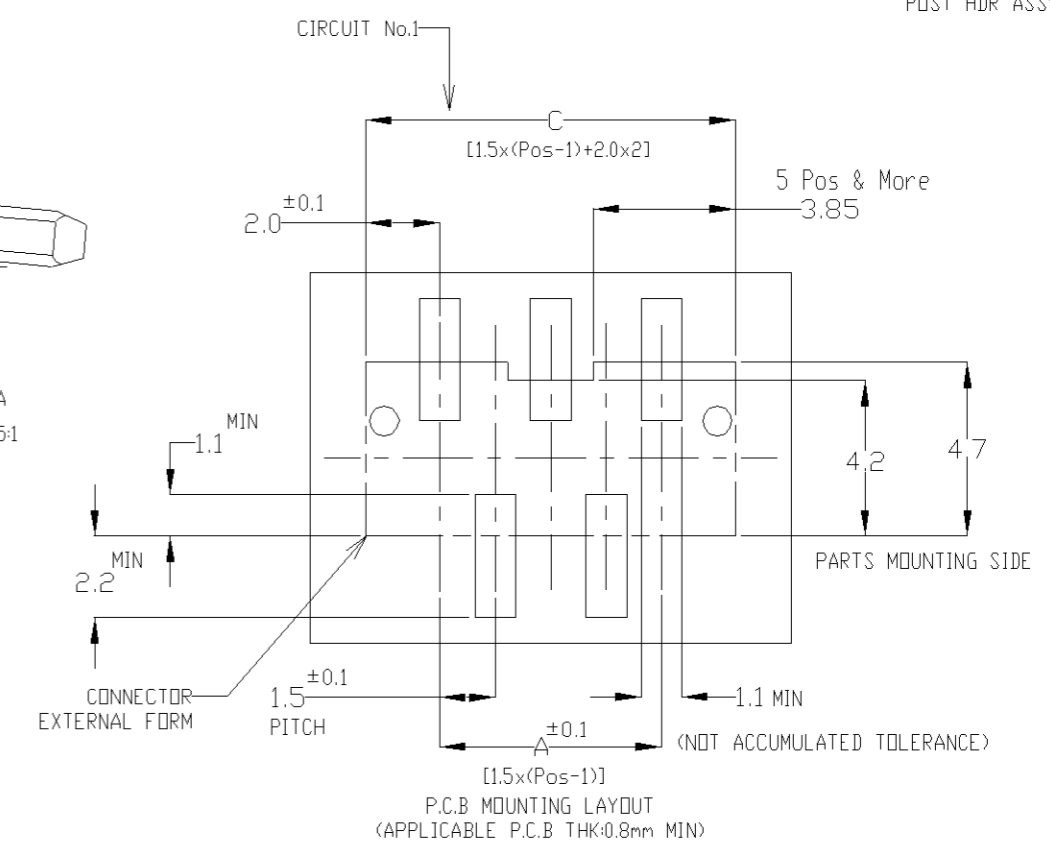
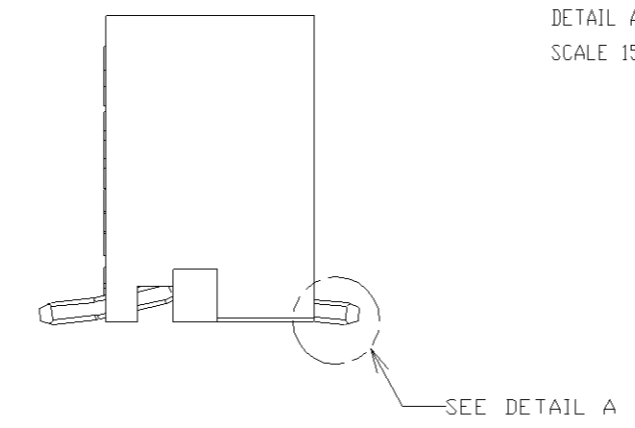
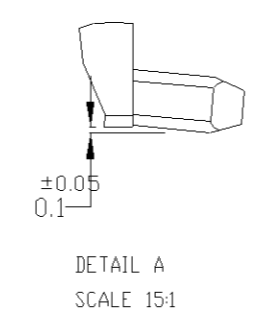
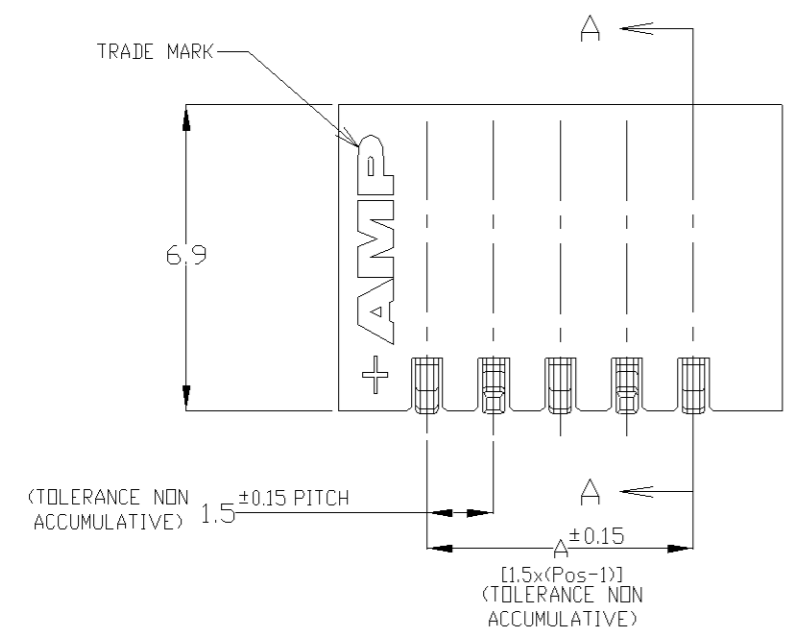
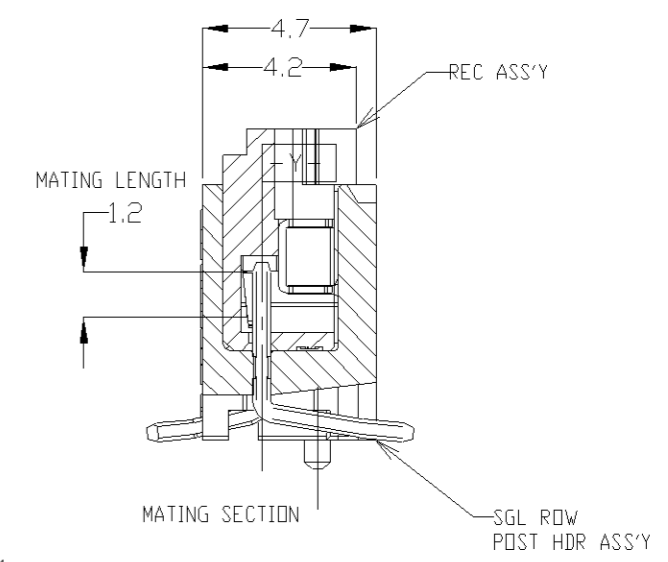
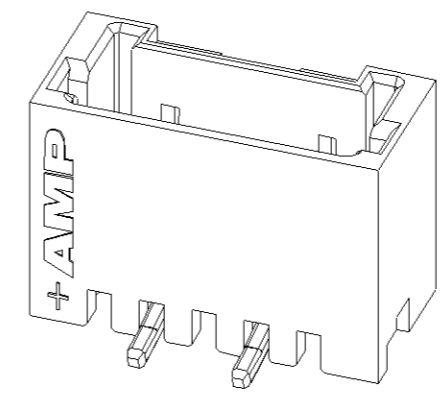
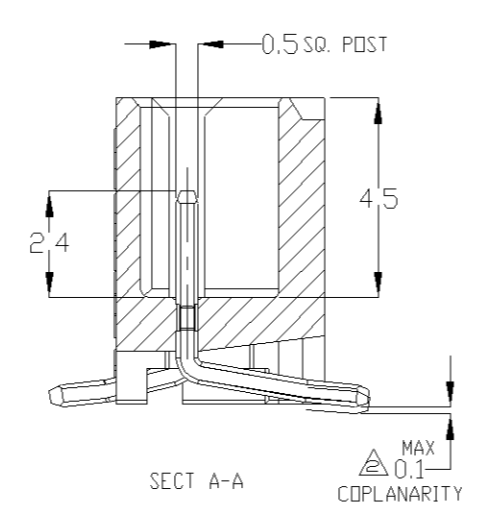
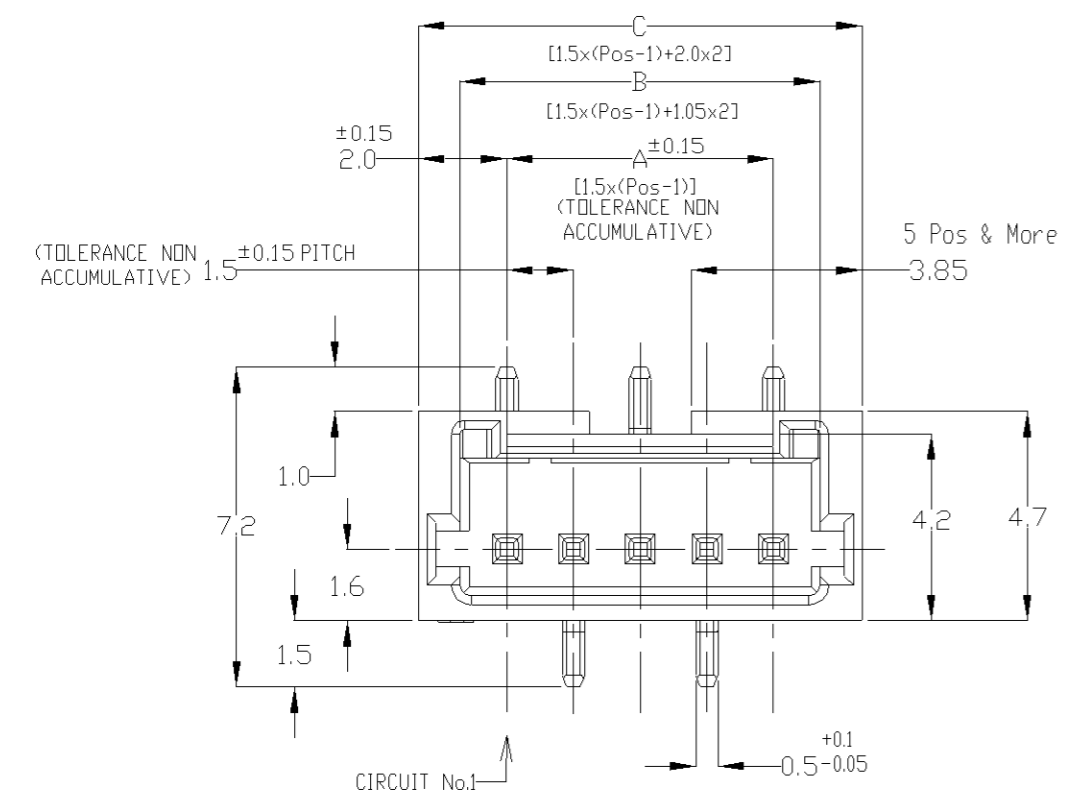
3

2

1

THIS DRAWING IS UNPUBLISHED. RELEASED FOR PUBLICATION  
 © COPYRIGHT BY TYCO ELECTRONICS CORPORATION. ALL RIGHTS RESERVED.

LOC	DIST	REVISIONS			
P	LTR	DESCRIPTION	DATE	DWN	APVD
ES	00	SEE SHEET 1	-	-	-



NOTES:  
 1. MATERIAL:  
 HOUSING: GLASS FILLED, HIGH HEAT RESISTANT NYLON, UL94V-0, COLOR: BEIGE OR BLACK  
 POST: TIN BRASS WIRE  
 TO BE MEASURED WITH CONNECTOR PLACED ON HORIZONTAL DATUM SURFACE, FLOAT OF SOLDER TINE FROM DATUM SURFACE IS 0.1mm MAX.

THIS DRAWING IS A CONTROLLED DOCUMENT.		DWN	24AUG04	 Tyco Electronics Corporation Shanghai, P.R.China, 200233	
DIMENSIONS: mm		CHK	24AUG04		
TOLERANCES UNLESS OTHERWISE SPECIFIED:		APVD	24AUG04		
0 PLC ± - 1 PLC ± - 2 PLC ± - 3 PLC ± - 4 PLC ± - ANGLES ± -		PRODUCT SPEC			
MATERIAL		APPLICATION SPEC		NAME	
		WEIGHT		SINGLE ROW POST HEADER (V) SMT TYPE W/O BOSS W/ POLYIMIDE TAPE EMBOSS PACKAGED AMP MINI CT CONN.	
		CUSTOMER DRAWING		SIZE	RESTRICTED TO
				A300779 C=292371	
		SCALE	NON	SHEET	3 of 4
				REV	A1

4

3


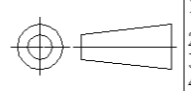
2

1

THIS DRAWING IS UNPUBLISHED. RELEASED FOR PUBLICATION  
 © COPYRIGHT - BY TYCO ELECTRONICS CORPORATION. ALL RIGHTS RESERVED.

LOC	DIST	REVISIONS					
ES	00	P	LTR	DESCRIPTION	DATE	DWN	APVD
		-		SEE SHEET 1	-	-	-

0.98	32.5	30.6	28.5	20	7-292371-0	2-292371-0
0.93	31.0	29.1	27.0	19	6-292371-9	1-292371-9
0.89	29.5	27.6	25.5	18	6-292371-8	1-292371-8
0.84	28.0	26.1	24.0	17	6-292371-7	1-292371-7
0.80	26.5	24.6	22.5	16	6-292371-6	1-292371-6
0.75	25.0	23.1	21.0	15	6-292371-5	1-292371-5
0.71	23.5	21.6	19.5	14	6-292371-4	1-292371-4
0.66	22.0	20.1	18.0	13	6-292371-3	1-292371-3
0.62	20.5	18.6	16.5	12	6-292371-2	1-292371-2
0.57	19.0	17.1	15.0	11	6-292371-1	1-292371-1
0.52	17.5	15.6	13.5	10	6-292371-0	1-292371-0
0.48	16.0	14.1	12.0	9	5-292371-9	292371-9
0.43	14.5	12.6	10.5	8	5-292371-8	292371-8
0.39	13.0	11.1	9.0	7	5-292371-7	292371-7
0.34	11.5	9.6	7.5	6	5-292371-6	292371-6
0.30	10.0	8.1	6.0	5	5-292371-5	292371-5
0.25	8.5	6.6	4.5	4	5-292371-4	292371-4
0.20	7.0	5.1	3.0	3	5-292371-3	292371-3
0.17	5.5	3.6	1.5	2	-	-
WEIGHT (g)	C	B	A	Pos.	BLACK	BEIGE (NAT)
	DIMENSIONS				P/N	

THIS DRAWING IS A CONTROLLED DOCUMENT.		DWN	Roy Hao	24AUG04	 Tyco Electronics Corporation Shanghai, P.R.China, 200233
DIMENSIONS: mm		CHK	Steven Yao	24AUG04	
		APVD	I.Enomoto	24AUG04	
TOLERANCES UNLESS OTHERWISE SPECIFIED:		PRODUCT SPEC		NAME	
0 PLC ± - 1 PLC ± - 2 PLC ± - 3 PLC ± - 4 PLC ± - ANGLES ± -		APPLICATION SPEC		SINGLE ROW POST HEADER (V) SMT TYPE W/O BOSS W/ POLYIMIDE TAPE EMBOSS PACKAGED AMP MINI CT CONN.	
MATERIAL		WEIGHT		SIZE	
-		-		A3 00779 C=292371	
CUSTOMER DRAWING				SCALE	NON
				SHEET	4 of 4
				REV	A1