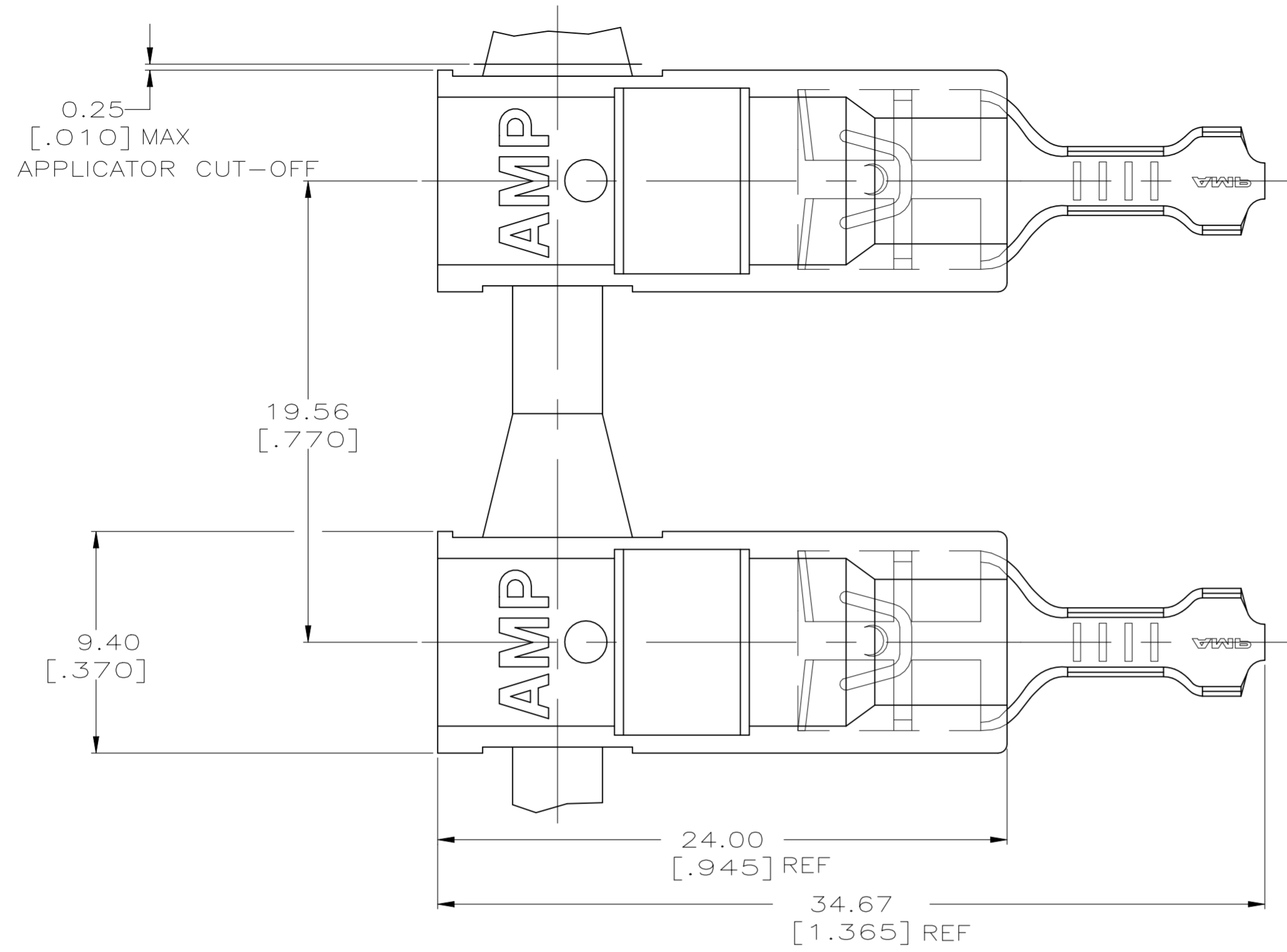
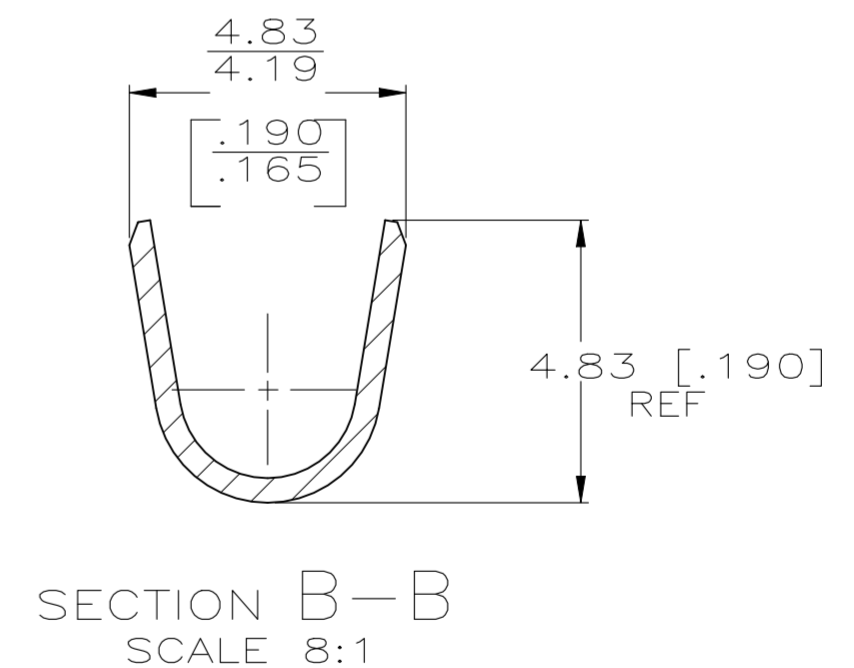
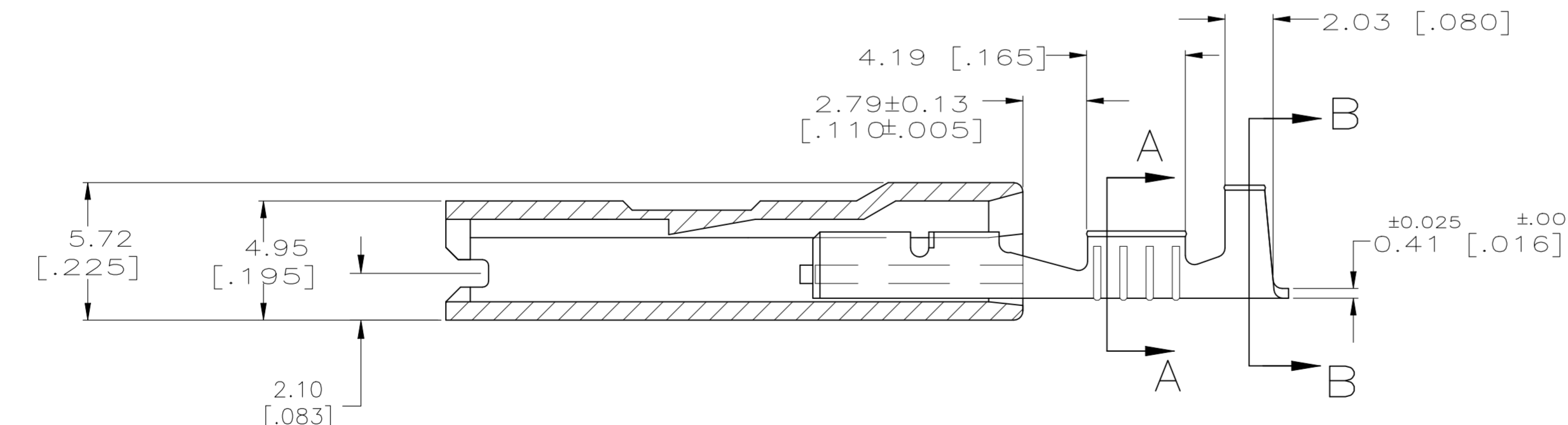
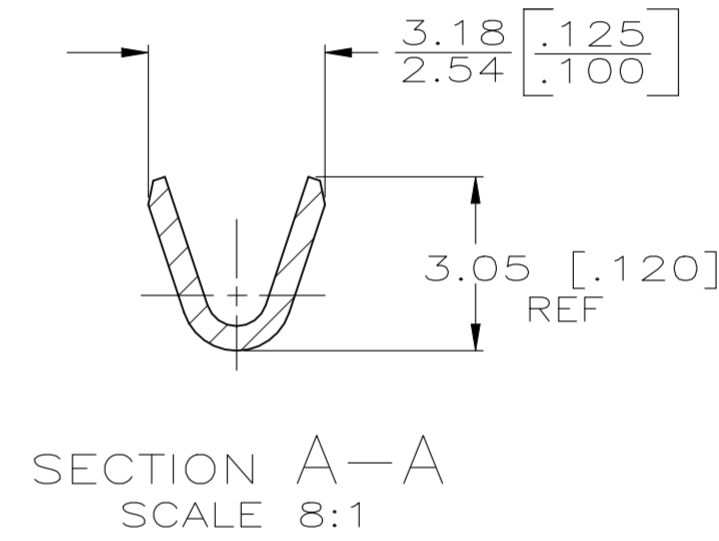


REVISIONS					
P	LTR	DESCRIPTION	DATE	DWN	APVD
A3		REVISED PER ECR-22-160893	15DEC2022	DB	BW



1 LOW-INSERTION FASTON TERMINALS, BASE PART NUMBER 63609, ARE USED IN THIS PRODUCT.



TIN PLATE PLAIN	2.29-3.30 [.090-.130]	0.3-0.8 mm <sup>2</sup> [22-18]	0.81 [.032]	521368-2
TERMINAL FINISH	INSULATION RANGE	WIRE SIZE	MATING TAB THK ±0.025 [±.001]	521368-1
				PART NO

THIS DRAWING IS A CONTROLLED DOCUMENT.

DWN	JR RUTH	15JAN01
CHK	MS FEHER	15JAN01
APVD	J HUMMEL	15JAN01

TE Connectivity

ASSEMBLY, HOUSING & RECEPTACLE, 6.35 [.250] SERIES ULTRA-POD

NAME	SIZE	CAGE CODE	DRAWING NO	RESTRICTED TO
108-1285	A2	00779	C=521368	-
APPLICATION SPEC	WEIGHT	0.000000	SCALE	5:1
114-2124	CUSTOMER DRAWING		SHEET	1 OF 1
FINISH	TERMINAL - SEE TABLE		REV	A3
TERMINAL - BRASS	HOUSING - NATURAL			