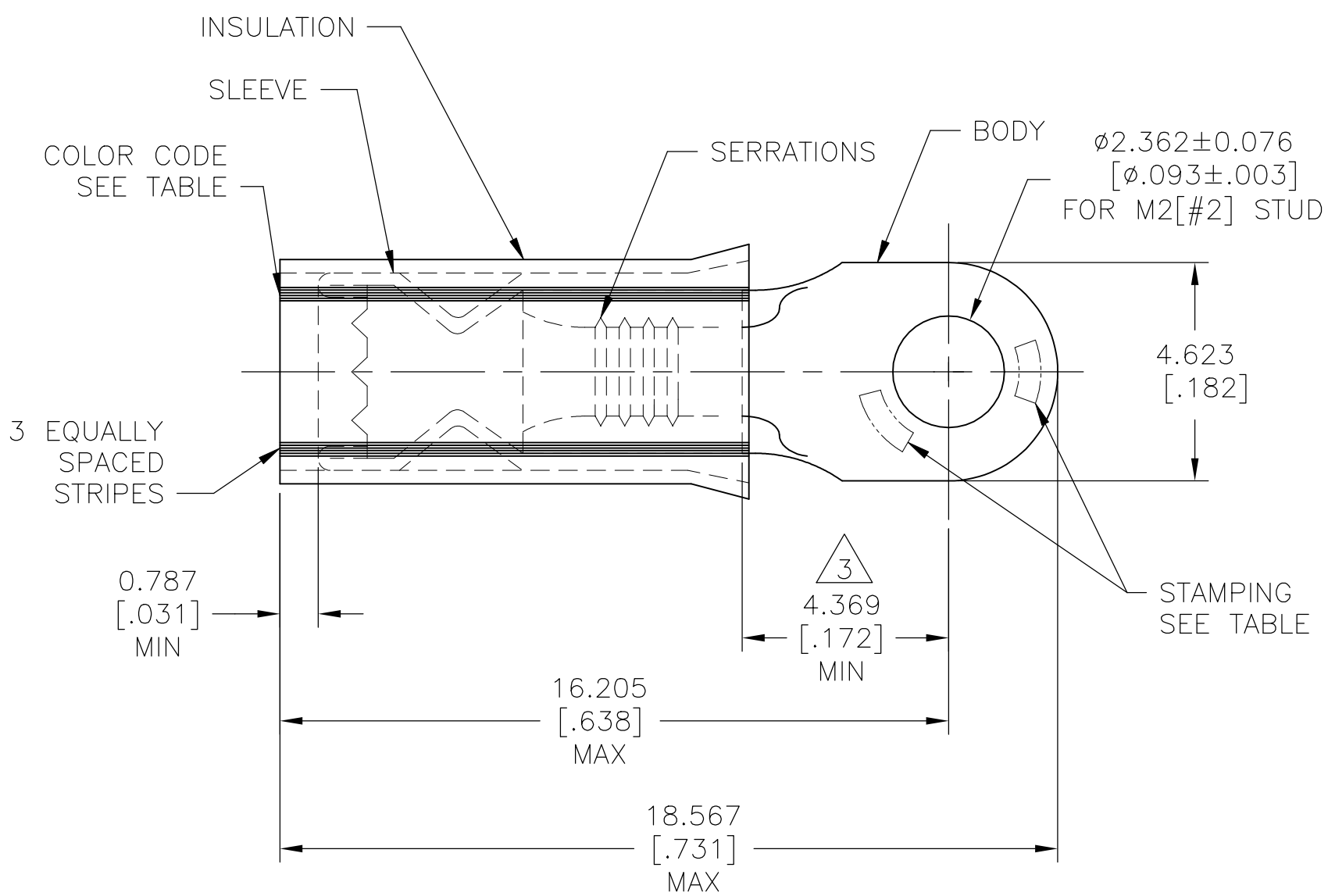


REVISIONS					
P	LTR	DESCRIPTION	DATE	DWN	APVD
	D	REVISED PER ECO-14-015277	14FEB2015	NK	DR
	D1	REVISED PER ECO-17-008114	31MAY2018	RS	DR



- 1 BODY MATERIAL THK IS $0.787 \pm 0.051 [.031 \pm .002]$
- 2 FOR WIRE INS. DIA SEE TABLE
- 3 APPLIES FROM EDGE OF METAL WIRE BARREL TO CENTER OF STUD HOLE
- 4 MATERIAL:
 BODY & SLEEVE: COPPER PER ASTM PER B152
 INSULATION: NYLON PER ASTM D4066 TYPE 1
- 5 FINISH:
 BODY & SLEEVE: TIN PLATE PER ASTM B545
 INSULATION: COLOR - RED

GREEN	0.965-2.794 [.038-.110]	22*	22	1000	LOOSE PIECE	52307
COLOR CODE	INS. DIA.	WIRE STAMPING	WIRE SIZE	QTY	PACKAGE TYPE	PART NO

AMP INCORPORATED
 CUSTOMER SERVICE SYSTEMS

FOR ADDITIONAL PRODUCT INFORMATION OR COPIES OF DRAWINGS AND TECHNICAL DOCUMENTS	PRODUCT INFORMATION CENTER 1-800-522-6752	MAX RECOMMENDED OPERATING TEMPERATURE: 105°C [221°F]
FOR APPLICATION TOOLING INFORMATION	TOOLING ASSISTANCE CENTER 1-800-722-1111	
FOR ORDER ENTRY	1-800-526-5142	WIRE CROSS SECTIONAL AREA RANGE, 0.38mm ² [754] CIR MILS STRANDED

THIS DRAWING IS A CONTROLLED DOCUMENT.

DIMENSIONS: mm [INCHES]	TOLERANCES UNLESS OTHERWISE SPECIFIED:
	0 PLC ± -
	1 PLC ± -
	2 PLC ± -
	3 PLC ± 0.127[.005]
	4 PLC ± -
	5 PLC ± 5°

MATERIAL 4

DWN jr_ruth 21FEB07
 CHK T MICHELUTTI 21FEB07
 APVD T MICHELUTTI 21FEB07

STE TE Connectivity Ltd.

NAME: WIRE TERMINAL, P.I.D.G., RING TONGUE & INSULATION RESTRICTION WIRE SIZE 22 & 20 AWG

SIZE	CAGE CODE	DRAWING NO	RESTRICTED TO
A3	00779	C-52307	-

CUSTOMER DRAWING SCALE 8:1 SHEET 1 OF 1 REV D1