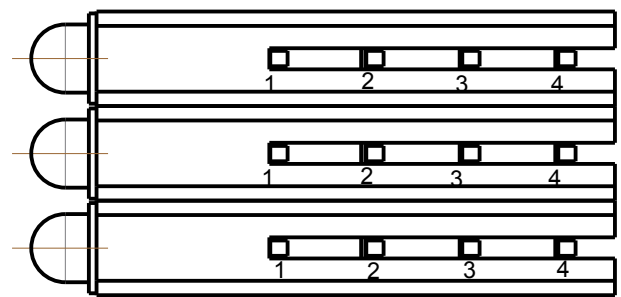
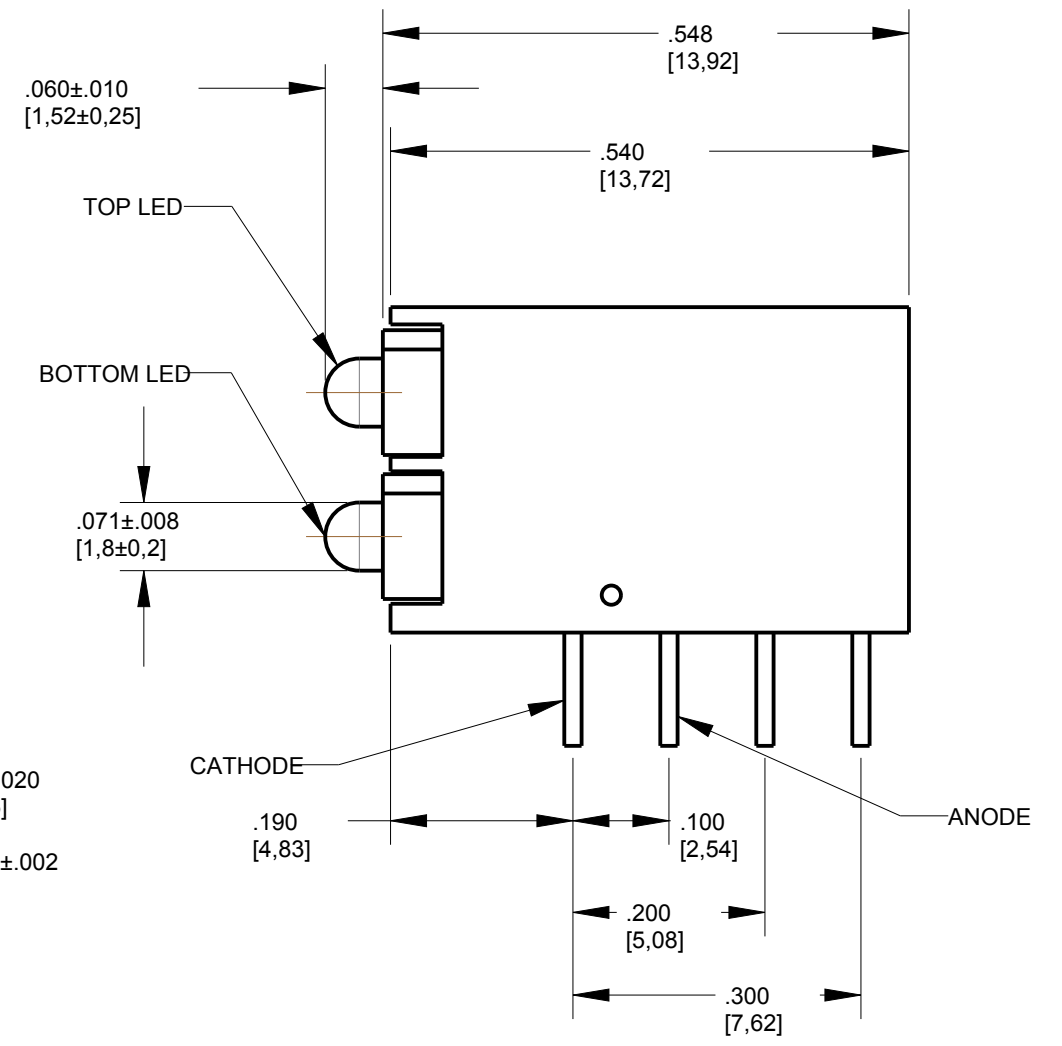
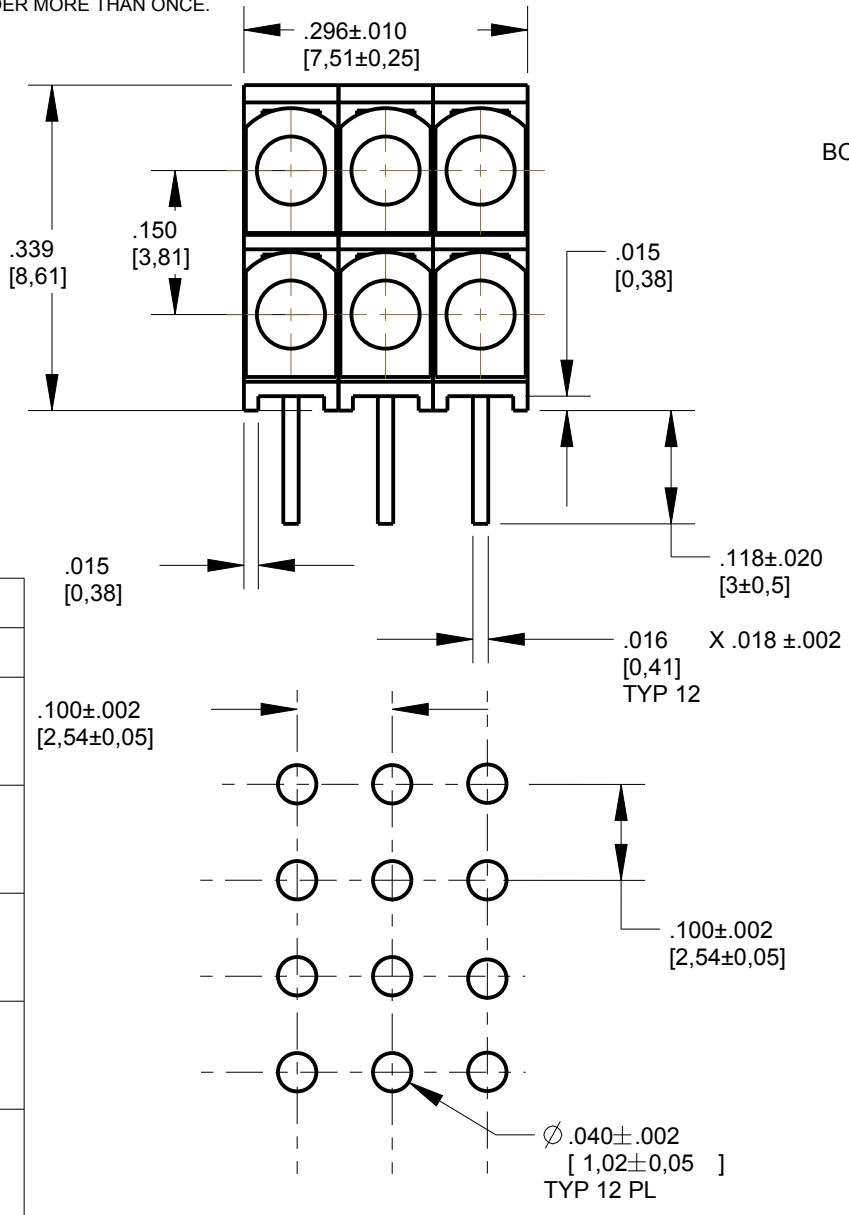
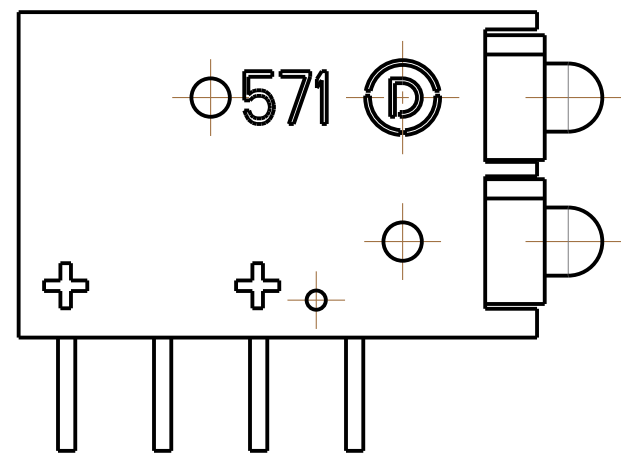


ASSY NUMBER	LED COLOR DIFFUSED		REV
	TOP POSITION	BOTTOM POSITION	
571-0111-103F	RED	RED	B
571-0122-103F	GREEN	GREEN	B
571-0133-103F	YELLOW	YELLOW	B

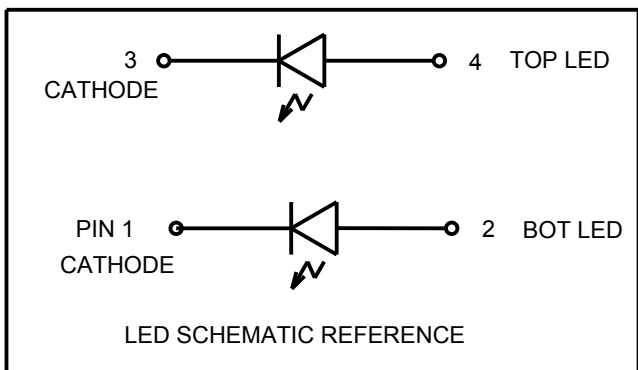
- NOTES:
- LED LEAD DIMENSIONS ARE MEASURED AT HOUSING EXIT.
 - PIN NUMBERS FOR REFERENCE ONLY, DESIGNATION NON-EXISTENT ON PARTS
 - DIALIGHT PART NUMBERS: 571-01XX-103F
 - THIS ASSEMBLY CONTAINS ELECTROSTATIC DISCHARGE SENSITIVE DEVICES (ESDS). MAINTAIN ALL PRECAUTIONARY MEASURES DURING ASSEMBLY, HANDLING AND STORAGE IN ACCORDANCE WITH 1PC-A-610.
 - RECOMMENDED WAVE SOLDERING TEMPERATURE: 245° C-260° C FOR 3 SEC FOR BOTTOM LED AND 5 SEC FOR TOP LED.
 - DO NOT APPLY STRESS TO THE EPOXY RESIN WHEN TEMPERATURE IS ABOVE 85° C.
 - SOLDERING PROFILE APPLIES TO LEAD FREE SOLDERING PROCESS (Sn/Cu/Ag ALLOY).
 - DURING WAVE SOLDERING, THE PCB TOP SURFACE SHOULD BE KEPT BELOW 105° C.
 - DO NOT SOLDER MORE THAN ONCE.

REV	ECN NO	REVISIONS	DRN	APP	DATE
A		NEW RELEASE	LD	NO	9-14-18



OPERATING CHARACTERISTICS AT 25° C AMBIENT						
CHARACTERISTICS	COLOR	MIN	TYP	MAX	UNITS	TEST CONDITIONS
LUMINOUS INTENSITY	RED	8	15		mcd	I _F = 10 mA
	YELLOW	5	8			
	GREEN	5	10			
FORWARD VOLTAGE	RED		2.0	2.5	V	I _F = 20 mA
	YELLOW		2.1	2.5		
	GREEN		2.2	2.5		
DOMINANT WAVELENGTH	RED		625		nm	
	YELLOW		588			
	GREEN		568			
PEAK EMISSION WAVELENGTH	RED		627		nm	
	YELLOW		590			
	GREEN		565			
VIEWING ANGLE 2q _{1/2}	RED		70		Degree	
	YELLOW		70			
	GREEN		70			
CAPACITANCE	RED		15		pF	V _F = 0 V, f = 1 MHz
	YELLOW		20			
	GREEN		15			

RECOMMENDED HOLE PATRERN GAUGE



ABSOLUTE MAXIMUM RATING AT 25°C AMBIENT				
	RED	YELLOW	GREEN	UNITS
POWER DISSIPATION	105	105	105	mW
FORWARD CURRENT	30	30	25	mA
DERATING LINEAR FROM 25° C	.40		.33	mA/°C
REVERSE VOLTAGE	5			V
LEAD SOLDERING TEMPERATURE, 3 SEC., 1/16" FROM BODY	260			°C
OPERATING TEMPERATURE	-40 TO +85			°C
STORAGE TEMPERATURE	-40 TO +85			°C

THIS DRAWING AND THE CONTENTS HEREIN ARE CONFIDENTIAL AND THE SOLE PROPERTY OF DIALIGHT CORP. REPRODUCTION OF THIS DRAWING OR CONSTRUCTION OF ANY PARTS WITHIN THIS DRAWING ARE FORBIDDEN WITHOUT THE WRITTEN CONSENT OF DIALIGHT CORP.

DIALIGHT CORP INTERNAL REFERENCE ONLY = 3D MODEL : 57101XX103F-A.8

SCALE: 5.000
ALL DIM's: INCH (mm)

TOLERANCES: UNLESS OTHERWISE SPECIFIED
FRACTIONS: ±1/64
DECIMALS (.XX): ±.01
DECIMALS (.XXX): ±.005
DECIMALS (.XXXX): ±.0005
ANGLES: ±1°

FINISH: -

FSCM 83330

DRAWING NUMBER: C18396
REV: A

TITLE: 2mm BI-LEVEL CBI GANGED ARRAY

MATERIAL: -

Dialight
1501 ROUTE 34 SOUTH
FARMINGDALE, NJ 07727
(732) 919-3119
www.dialight.com

SHEET 1 OF 1 FAMILY TABLE: