

**PLEASE CHECK WWW.MOLEX.COM FOR LATEST PART INFORMATION**

**Part Number:** [0734043010](#)  
**Status:** **Active**  
**Overview:** SMB RF Connectors  
**Description:** 75 Ohms, SMB Mini, Vertical, PCB, Jack Receptacle, One Piece Per Bag

**Documents:**

[Drawing \(PDF\)](#) [RoHS Certificate of Compliance \(PDF\)](#)

**General**

Product Family	RF/Coax Connectors
Series	<a href="#">73404</a>
Overview	<u>SMB RF Connectors</u>
Product Name	SMB
Style	PCB
Type	Subminiature
UPC	884982691537
Wire/Cable Type	N/A

**Physical**

Gender	Jack
Keying to Mating Part	None
Orientation	Straight
PCB Mounting	Through Hole
PCB Thickness - Recommended	3.20mm
Packaging Type	Bag
Panel Mount	No
Panel Mount Method	N/A
Reverse Polar	No

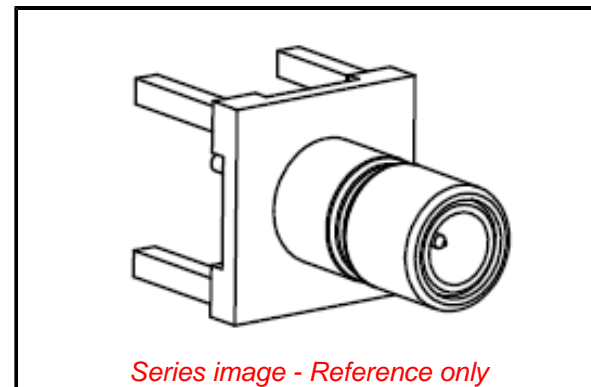
**Electrical**

Frequency	4 GHz
Impedance	75Ω
Power / Voltage	VOLTAGE: 335 Vrms@Sea Level

**Material Info**

**Reference - Drawing Numbers**

Sales Drawing SD-73100-0258-001, SD-73404-301-001



*Series image - Reference only*

**EU ELV**

**Not Reviewed**

**EU RoHS**

**Not Reviewed**

**REACH SVHC**

Not Reviewed

**Halogen-Free**

**Status**

**Not Reviewed**

For more information, please visit [Contact US](#)

China ROHS

Not Reviewed

ELV

Not Reviewed

RoHS Phthalates

Not Reviewed

**Search Parts in this Series**

[73404 Series](#)

**PLEASE CHECK WWW.MOLEX.COM FOR LATEST PART INFORMATION**