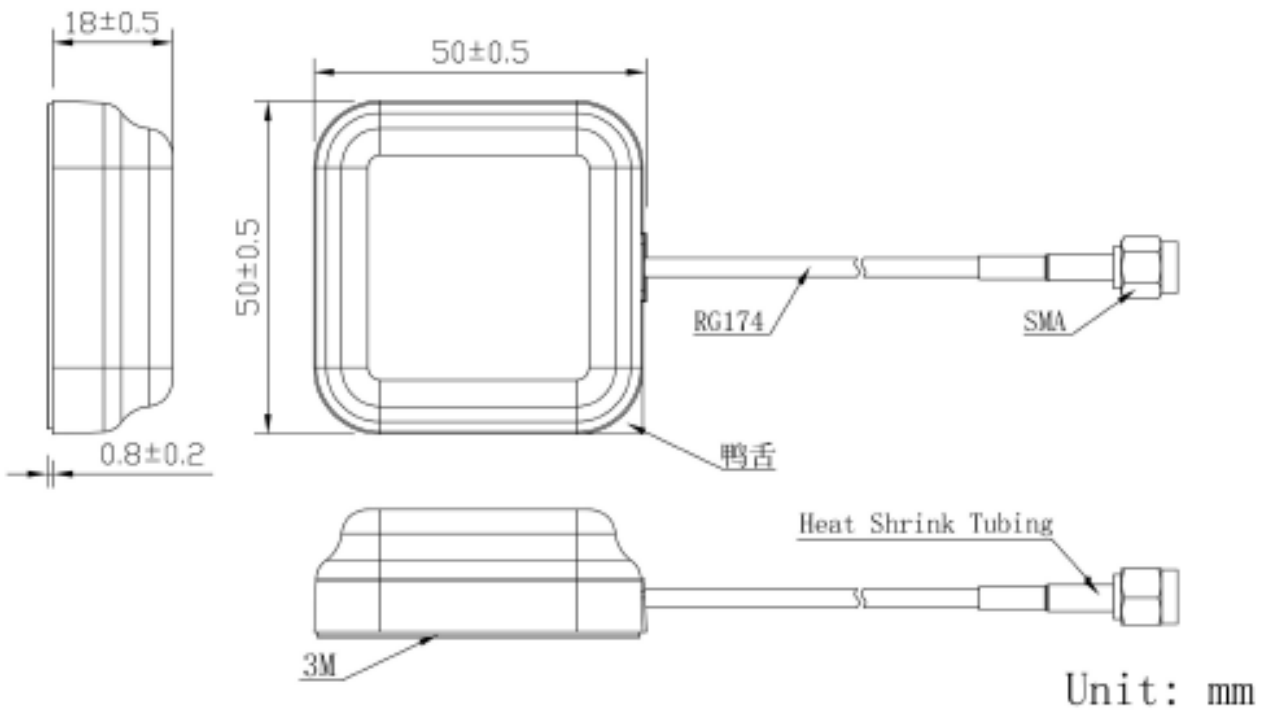


GNSS antenna square for GPS/GLONASS/Beidou/Gaileo

AN_GPS_A236



Mechanical Dimension



GNSS antenna square for GPS/GLONASS/Beidou/Gaileo

Specifications

Item	Specifications	
Antenna	Frequency Range	1561.098~1602MHz
	Polarization	RHCP
	Gain	5dBic@PCB (Zenith)
	V.S.W.R	<1.5
	Impedance	50Ω
	Axial Ratio	3dB (max)
	Dimension	50*50*18mm
LNA	Gain	28±2dB
	Noise Figure	≤1.5dB
	Filter Insertion Loss	<3dB
	Supply Voltage	3~5V DC
	Current Consumption	< 20mA
	V.S.W.R	<2.0
Mechanical	Cable	RG174 3 meters
	Connector	SMA or Customized
	Radome Material	ABS
	Mounting Method	Magnet And Adhesive
Environmental	Operating Temperature	-40℃~+85℃
	Relative Humidity	Up to 95%
	Ingress Protection	IP67
	Vibration	10 to 55Hz with 1.5mm amplitude 2hours
	Environmentally Friendly	ROHS Compliant

GNSS antenna square for GPS/GLONASS/Beidou/Gaileo

Radiation Patterns

