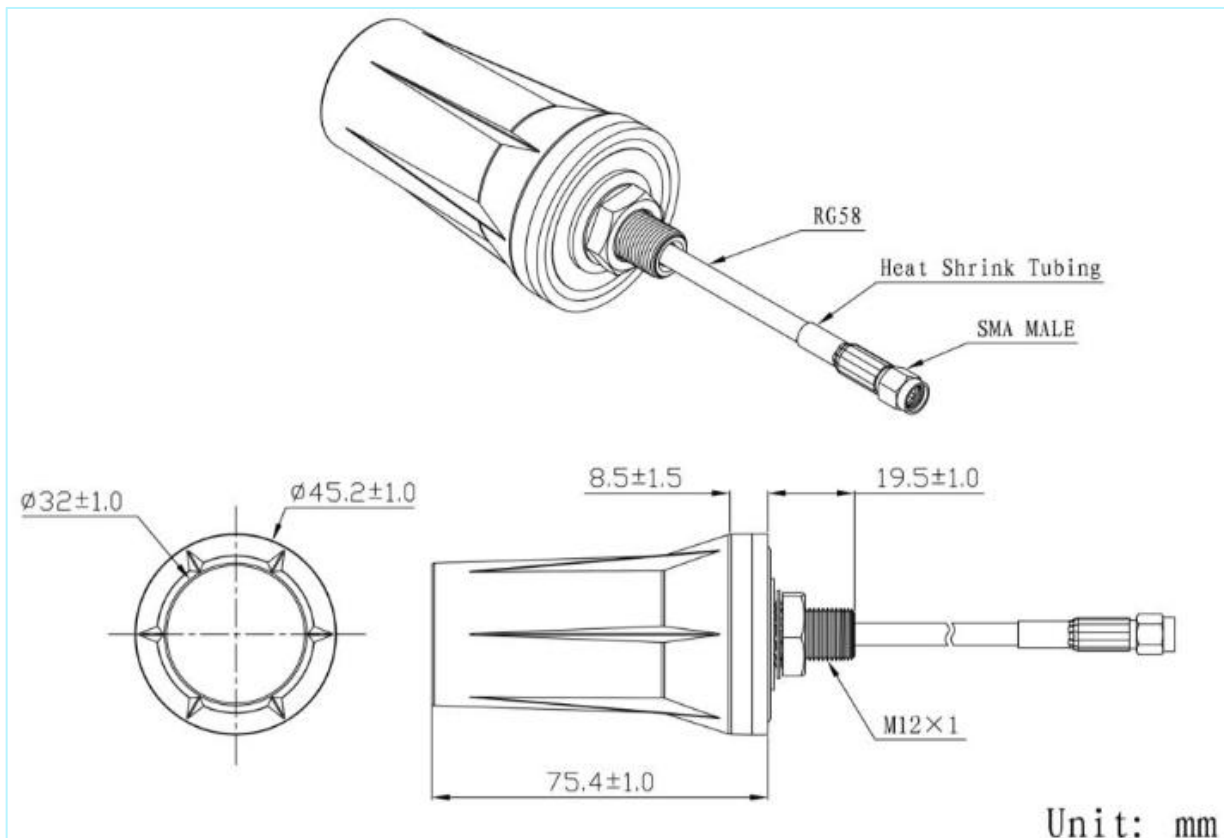


4G/3G/LTE Antenna 900/1800/2100 MHz Cylinder Screw  
Mounting

AN\_GSM\_023L-LP



**Mechanical dimension**





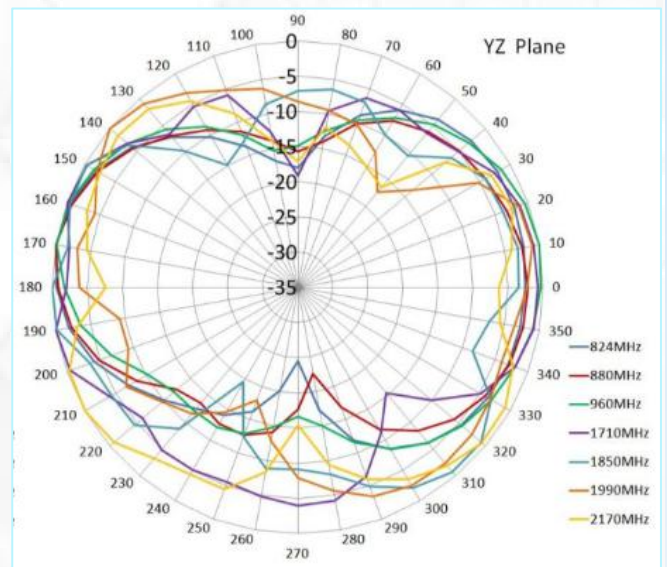
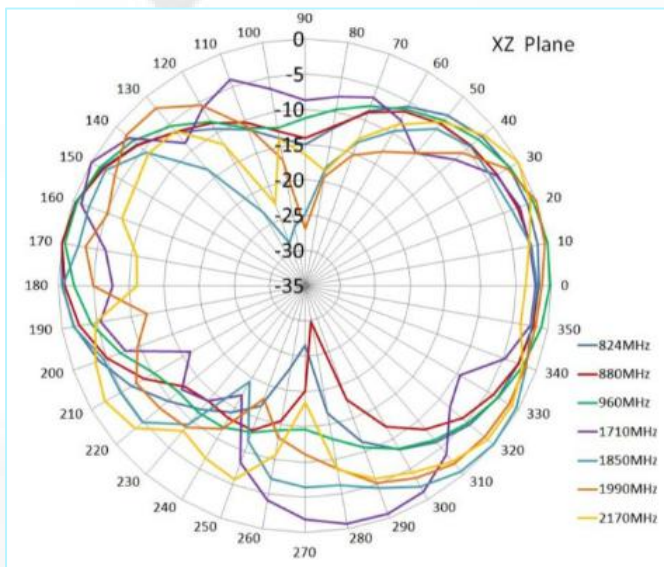
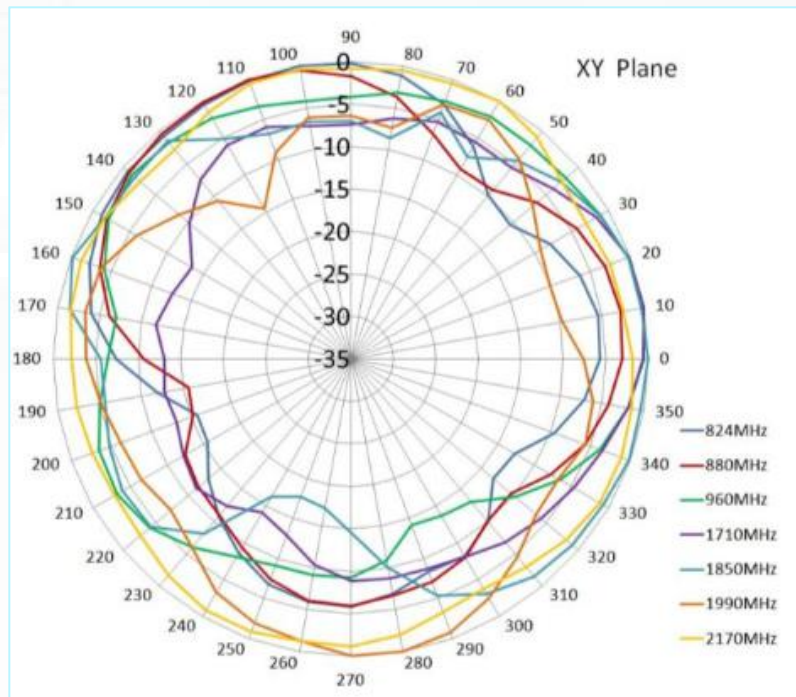
# 4G/3G/LTE Antenna 900/1800/2100 MHz Cylinder Screw Mounting

## Specifications

Item	Specifications	
Antenna	Frequency Range	698~960/1710~2690MHz
	Polarization	Linear
	Gain	2dBi (Zenith)
	V.S.W.R	≤3.0
	Impedance	50Ω
Mechanical	Cable	RG58 or others
	Connector	SMA or others
	Radome Material	ABS
	Mounting Method	L Plate Screw Mount
Environmental	Operating Temperature	-40℃~+85℃
	Relative Humidity	Up to 95%
	Vibration	10 to 55Hz with 1.5mm amplitude 2hours
	Environmentally Friendly	ROHS Compliant

# 4G/3G/LTE Antenna 900/1800/2100 MHz Cylinder Screw Mounting

## Radiation Patterns

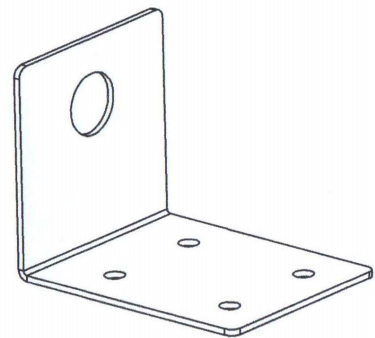
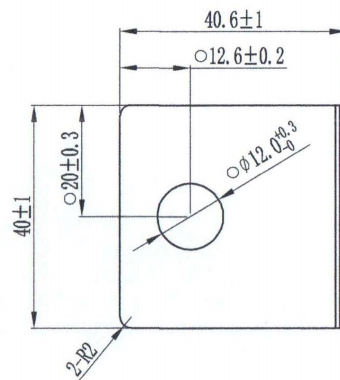
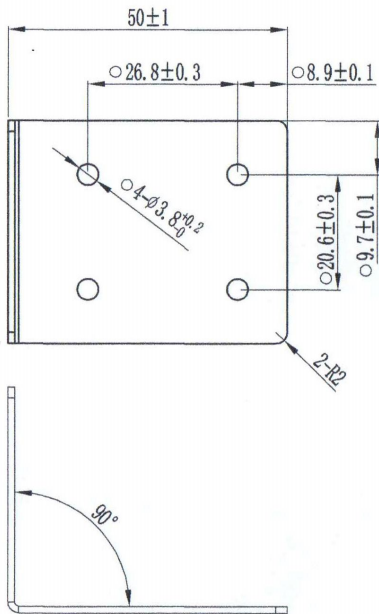


# Antenna Mount L shape M12 Tree Mount

## M12. Lplate



### Mechanical Dimension



## Antenna Mount L shape M12 Tree Mount

### M12. Lplate

### Specifications

Item	Specifications	
L Plate Antenna Mount	Dimension	50mm*40mm*40mm
	Antenna Mounting Hole	M12
	Plate Installation Hole	4*M3.8
	Material	Stainless Steel