



# Single Port RJ45 & Dual Port USB Combo AR1USB2-3785I



- 10/100/1000 Base T Gigabit Ethernet Application
- Dual USB 2.0
- Industrial Operating Temp: -40°C to 85°C

## Electrical Specifications @ 25°C

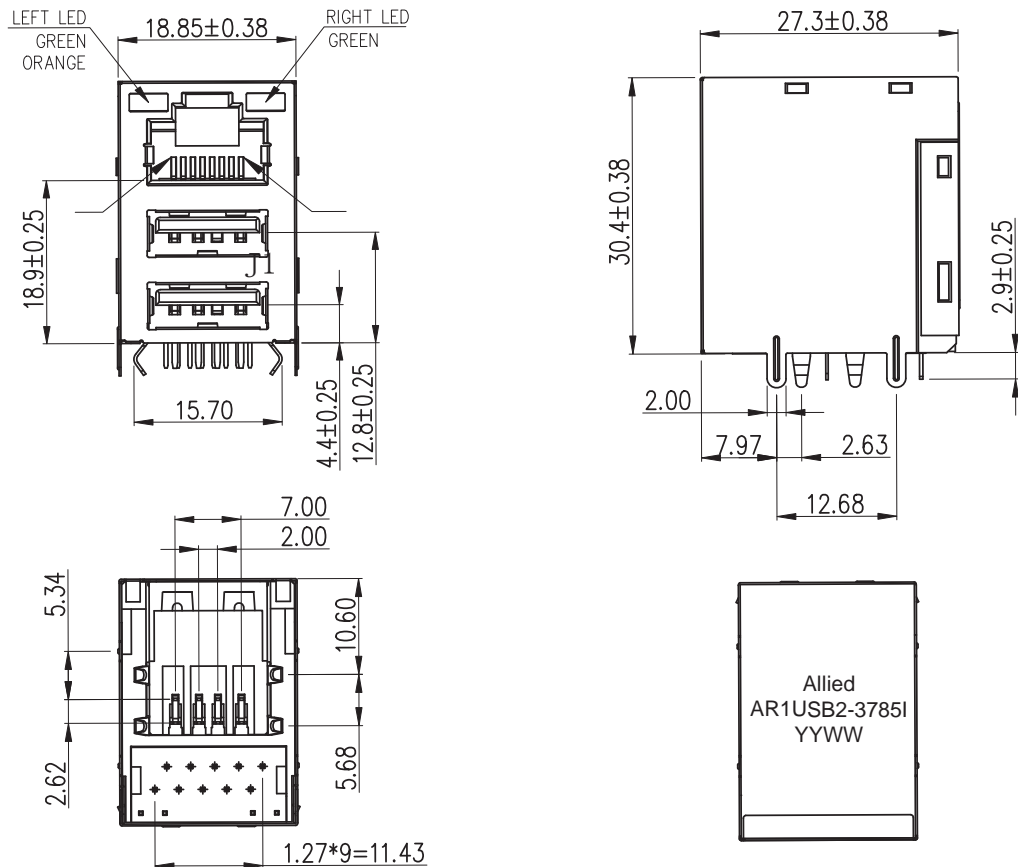
Allied Part Number	OCL (μH Min) @ 100kHz 0.1V, 8mA DC Bias	Turns Ratio @ 100kHz, 0.1V				Insertion Loss (dB Max)	
		P2-P3 : J1-J2	P4-P5 : J3-J6	P6-P7 : J4-J5	P8-P9 : J7-J8	1-100MHz	100-125MHz
AR1USB2-3785I	350	1 : 1±5%	1 : 1±5%	1 : 1±5%	1 : 1±5%	-1.0	-1.2

## Electrical Specifications @ 25°C

Allied Part Number	Return Loss (dB Min)				Cross Talk (dB Min) 1-100MHz	CMR (dB Min) 1-100MHz	Hi-POT (VAC) 1mA, 60S
	1-30MHz	30-60MHz	60-80MHz	80-100MHz			
AR1USB2-3785I	-18	-16	-12	-10	-30	-30	1500

All specifications subject to change without notice.

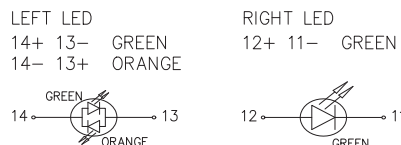
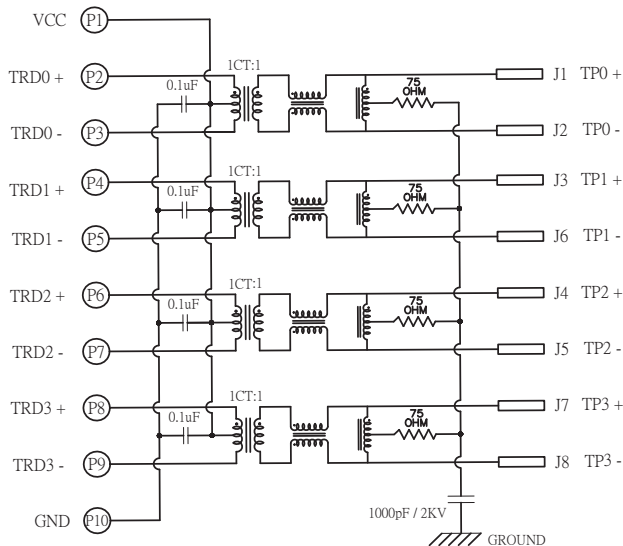
## MECHANICAL





# Single Port RJ45 & Dual Port USB Combo AR1USB2-3785I

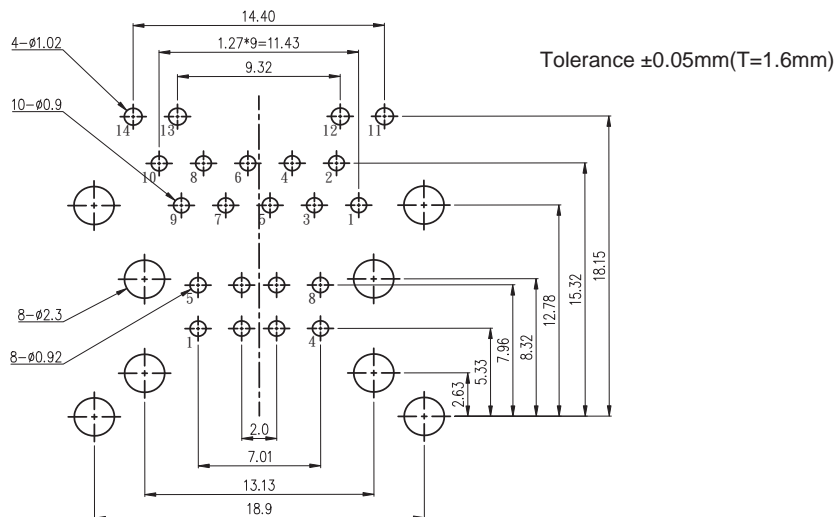
## SCHEMATICS



STANDARD LED	WAVELENGTH	FORWARD VOLTAGE
GREEN	565nm	2.5V MAX
YELLOW	585nm	2.5V MAX
ORANGE	600nm	2.5V MAX

With a forward current of 20mA

## PCB LAYOUT



## NOTES

- Shield- 0.20mm THICKNESS BRASS C2680 H. PLATING NICKEL 20u" Min 0.2mm SUS304
- Housing- Standard Material Nylon66, Glass filled, Polyester UL94V-0 Standard Color Black
- Insert Pin- Plastic: Nylon 66 G.F, UL94V-0, Standard Color Black.  
Pin: 0.35mm Thickness Phos-Bronze C5210 EH.  
Plating: Nickel 30u"~50u", for all and Sn100%, and 6u" Gold Plating.
- Contact Pin- Plastic: Nylon 66, Glass Filled, UL94V-0, Standard Color Black.  
Pin: 0.35mm Thickness SUS430.  
Plating: Nickel 30u"-50u" for all and Sn 100%.
- USB Housing- LCP,Glass fiber filled, UL94V-0, Standard Color Black.
- USB Contact- 0.35mm Thickness Brass C2680H  
Plating: Nickel 30u"-50u" for all and Sn 100%, and Gold plating 6u".