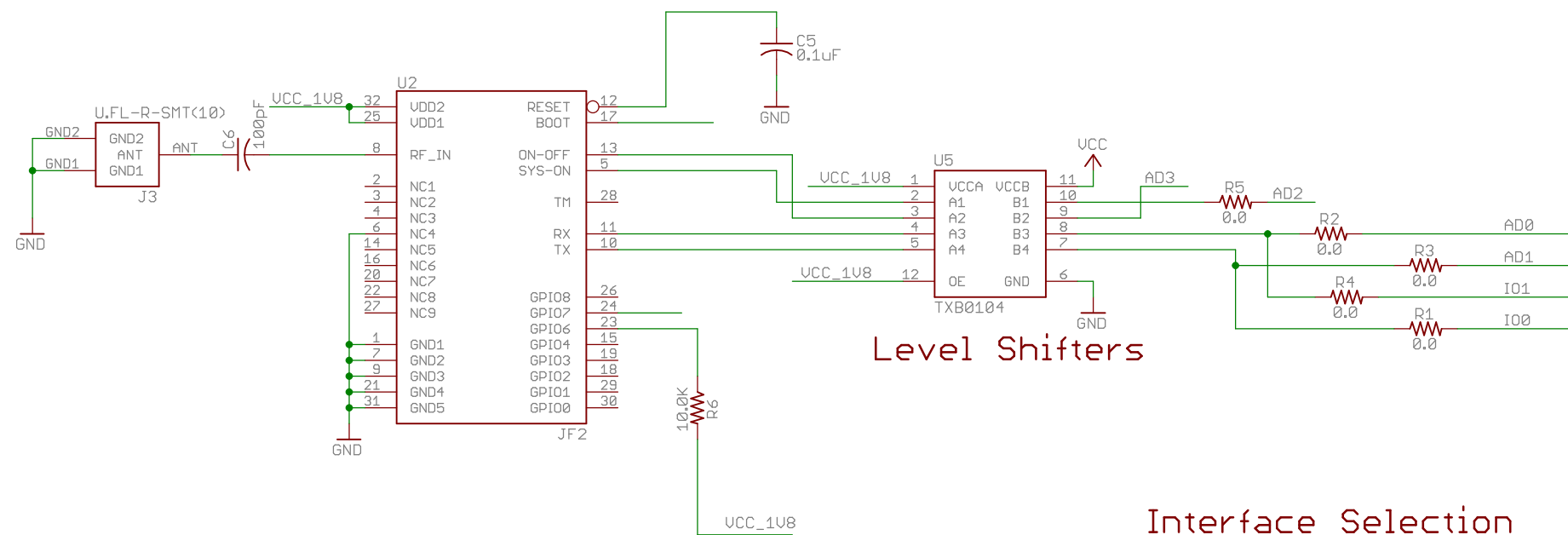


Telit SE868 U2/JF2 GPS Module



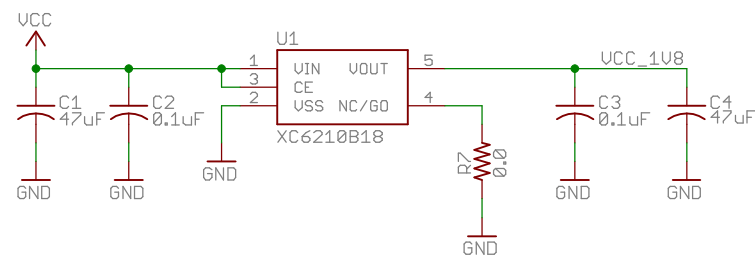
Level Shifters

Interface Selection

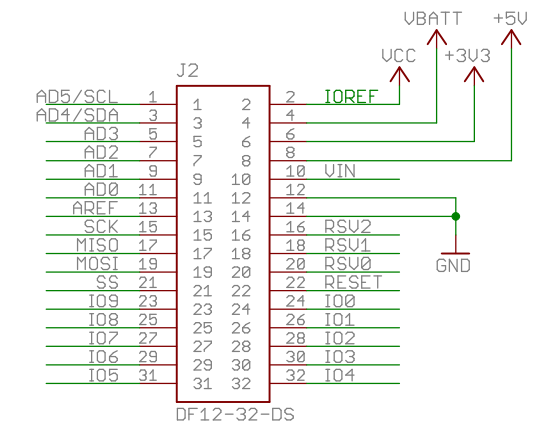
HW UART - Pop R1, R4 No Pop R2, R3
 SW UART - Pop R2, R3 No Pop R1, R4 (Default)

Default Interface is Software UART on A0 and A1

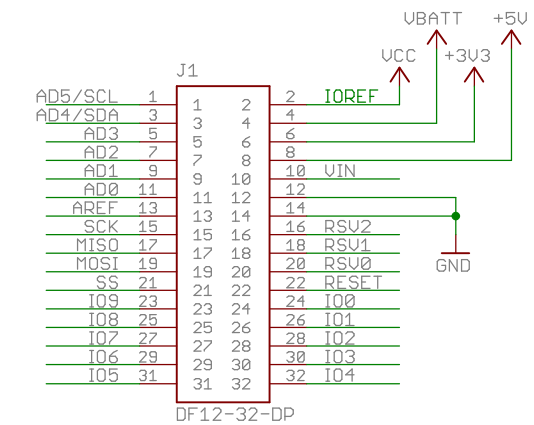
1.8V Power Supply



TinyShield Expansion - Bottom



TinyShield Expansion - Top



Released under the Creative Commons Attribution Share-Alike 3.0 License
<http://creativecommons.org/licenses/by-sa/3.0>

Original Arduino Uno Design by Team Arduino
 LilyPad Arduino Design by Leah Buechley and Sparkfun Electronics
 TinyDuino, TinyLily and TinyShield Designs by TinyCircuits

		http://www.TinyCircuits.com	
TITLE: TinyShield - GPS			
Document Number: AS-SCH-ASD2501			REV: 4
Date: 3/5/2016 5:14:08 PM			Sheet: 1/1