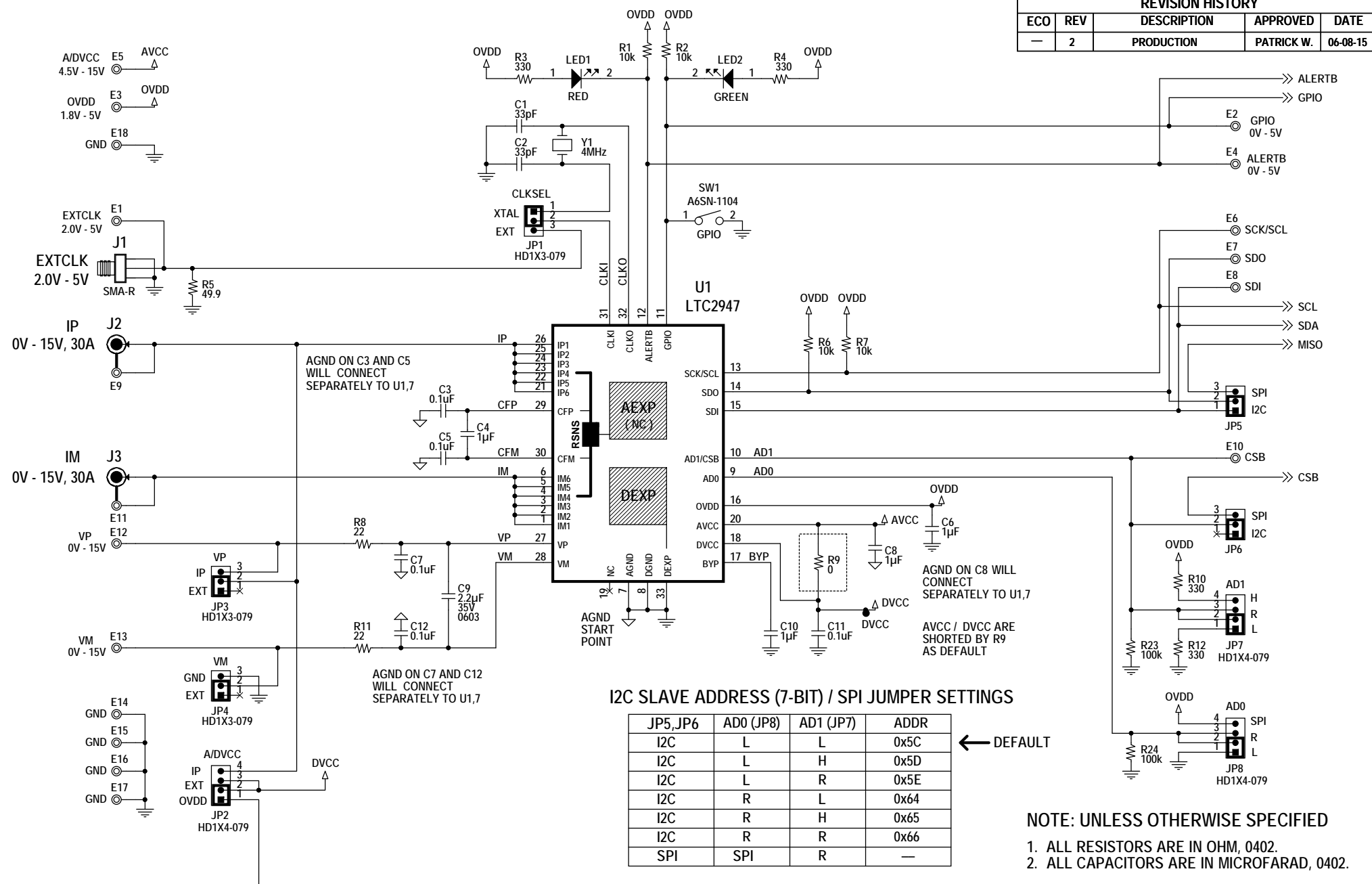


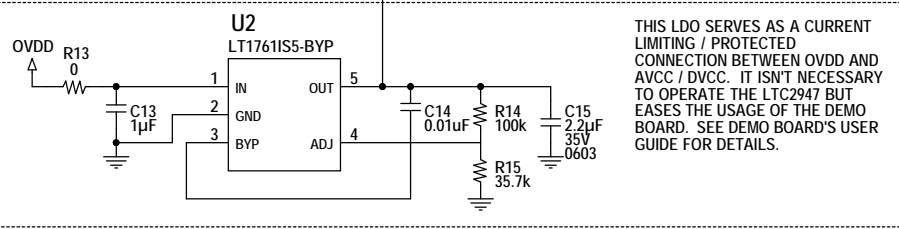
REVISION HISTORY				
ECO	REV	DESCRIPTION	APPROVED	DATE
-	2	PRODUCTION	PATRICK W.	06-08-15



I2C SLAVE ADDRESS (7-BIT) / SPI JUMPER SETTINGS

JP5,JP6	AD0 (JP8)	AD1 (JP7)	ADDR
I2C	L	L	0x5C ← DEFAULT
I2C	L	H	0x5D
I2C	L	R	0x5E
I2C	R	L	0x64
I2C	R	H	0x65
I2C	R	R	0x66
SPI	SPI	R	-

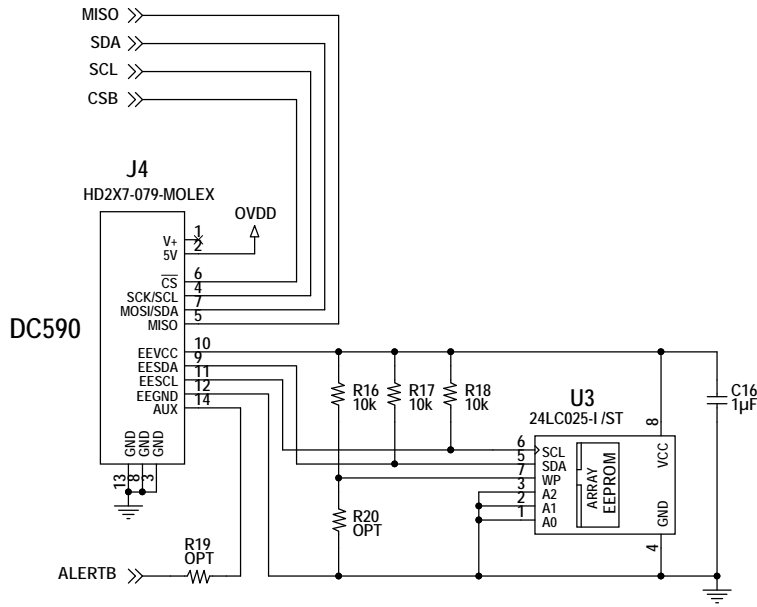
NOTE: UNLESS OTHERWISE SPECIFIED
 1. ALL RESISTORS ARE IN OHM, 0402.
 2. ALL CAPACITORS ARE IN MICROFARAD, 0402.



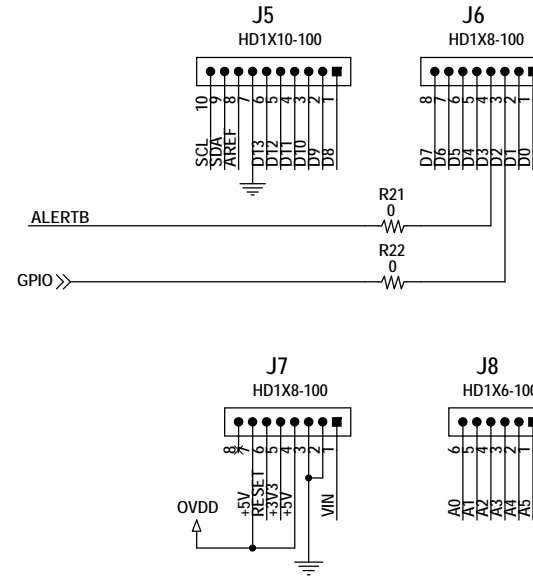
THIS LDO SERVES AS A CURRENT LIMITING / PROTECTED CONNECTION BETWEEN OVDD AND AVCC / DVCC. IT ISN'T NECESSARY TO OPERATE THE LTC2947 BUT EASES THE USAGE OF THE DEMO BOARD. SEE DEMO BOARD'S USER GUIDE FOR DETAILS.

CUSTOMER NOTICE LINEAR TECHNOLOGY HAS MADE A BEST EFFORT TO DESIGN A CIRCUIT THAT MEETS CUSTOMER-SUPPLIED SPECIFICATIONS; HOWEVER, IT REMAINS THE CUSTOMER'S RESPONSIBILITY TO VERIFY PROPER AND RELIABLE OPERATION IN THE ACTUAL APPLICATION. COMPONENT SUBSTITUTION AND PRINTED CIRCUIT BOARD LAYOUT MAY SIGNIFICANTLY AFFECT CIRCUIT PERFORMANCE OR RELIABILITY. CONTACT LINEAR TECHNOLOGY APPLICATIONS ENGINEERING FOR ASSISTANCE.		APPROVALS PCB DES. KIM T. APP ENG. PATRICK W.		1630 McCarthy Blvd. Milpitas, CA 95035 Phone: (408)432-1900 www.linear.com Fax: (408)434-0507 LTC Confidential-For Customer Use Only	
		TITLE: SCHEMATIC I2C/SPI POWER ENERGY METER WITH LEAD-FRAME SENSE RESISTOR			
THIS CIRCUIT IS PROPRIETARY TO LINEAR TECHNOLOGY AND SUPPLIED FOR USE WITH LINEAR TECHNOLOGY PARTS.		SCALE = NONE		DATE: Monday, June 08, 2015	
				SHEET 1 OF 2	

QUICK EVAL DEMO ONLY



LINDUINO SHIELD (I2C ONLY)



CUSTOMER NOTICE

LINEAR TECHNOLOGY HAS MADE A BEST EFFORT TO DESIGN A CIRCUIT THAT MEETS CUSTOMER-SUPPLIED SPECIFICATIONS; HOWEVER, IT REMAINS THE CUSTOMER'S RESPONSIBILITY TO VERIFY PROPER AND RELIABLE OPERATION IN THE ACTUAL APPLICATION. COMPONENT SUBSTITUTION AND PRINTED CIRCUIT BOARD LAYOUT MAY SIGNIFICANTLY AFFECT CIRCUIT PERFORMANCE OR RELIABILITY. CONTACT LINEAR TECHNOLOGY APPLICATIONS ENGINEERING FOR ASSISTANCE.

THIS CIRCUIT IS PROPRIETARY TO LINEAR TECHNOLOGY AND SUPPLIED FOR USE WITH LINEAR TECHNOLOGY PARTS.

APPROVALS

PCB DES. KIM T.

APP ENG. PATRICK W.

SCALE = NONE



1630 McCarthy Blvd.
Milpitas, CA 95035
Phone: (408)432-1900 www.linear.com
Fax: (408)434-0507
LTC Confidential-For Customer Use Only

TITLE: SCHEMATIC
**I2C/SPI POWER ENERGY METER
WITH LEAD-FRAME SENSE RESISTOR**

SIZE N/A IC NO. **LTC2947IUFE
DEMO CIRCUIT 2334A** REV. 2

DATE: Wednesday, June 03, 2015

SHEET 2 OF 2