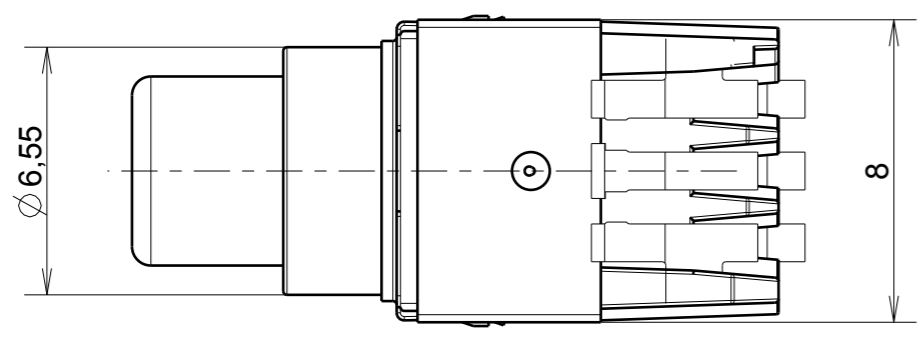
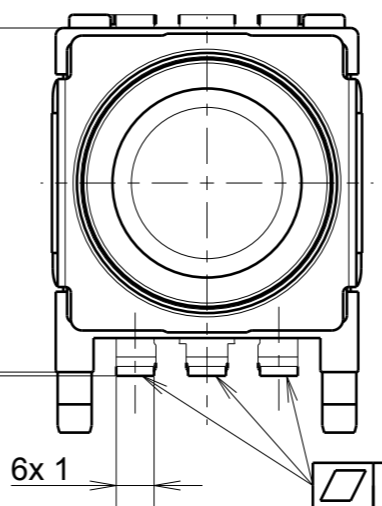
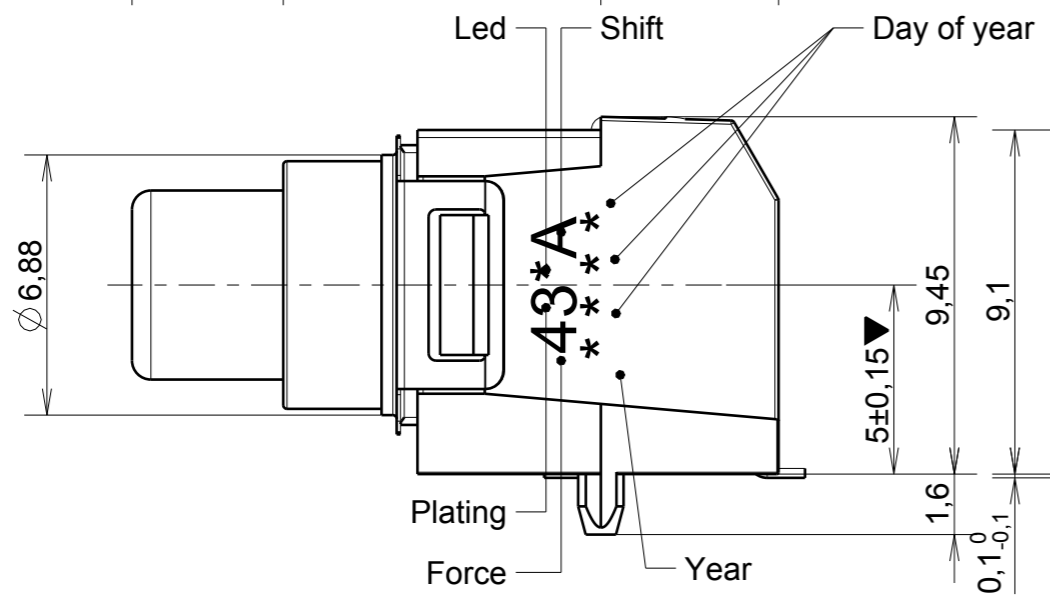
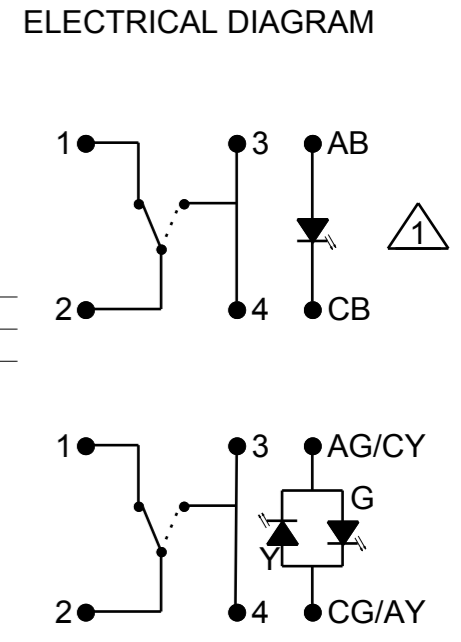
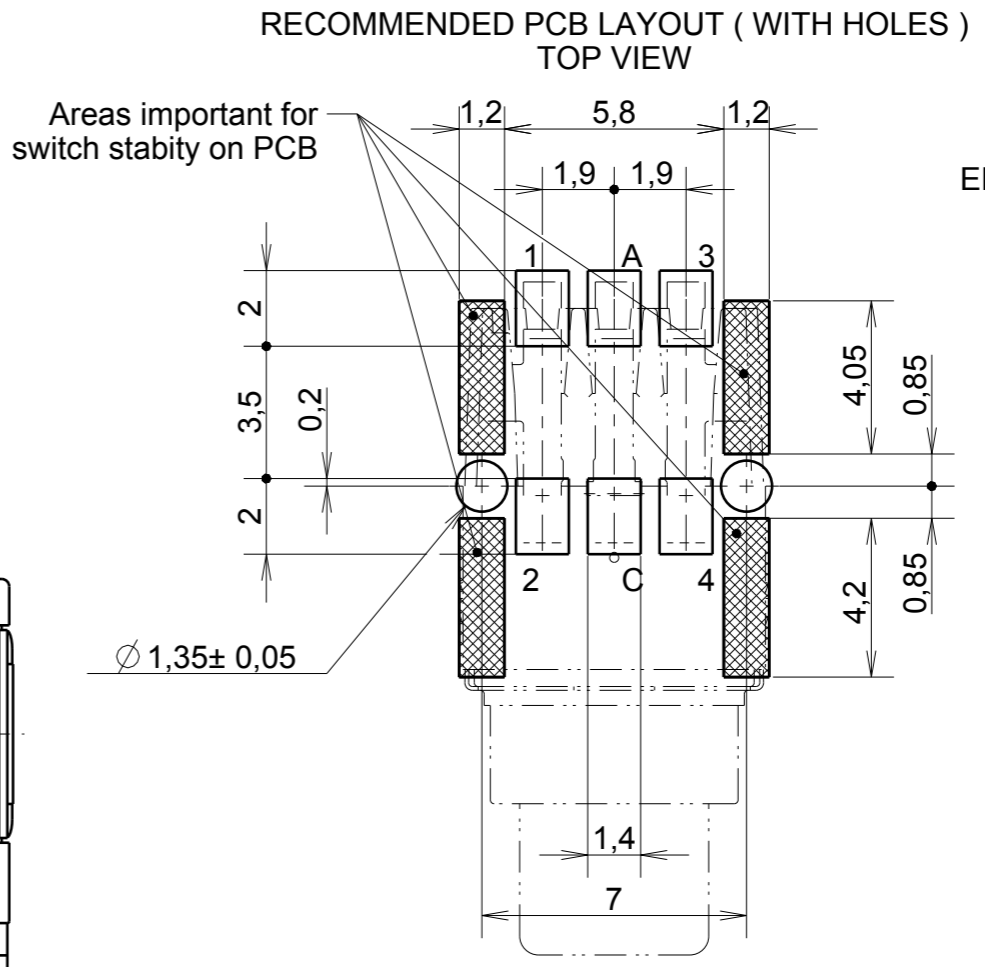
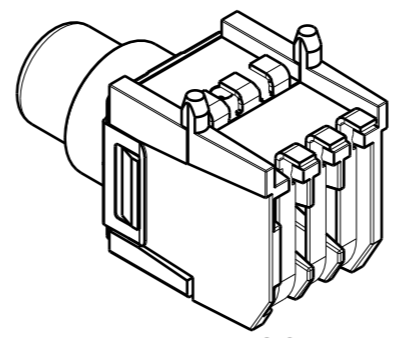
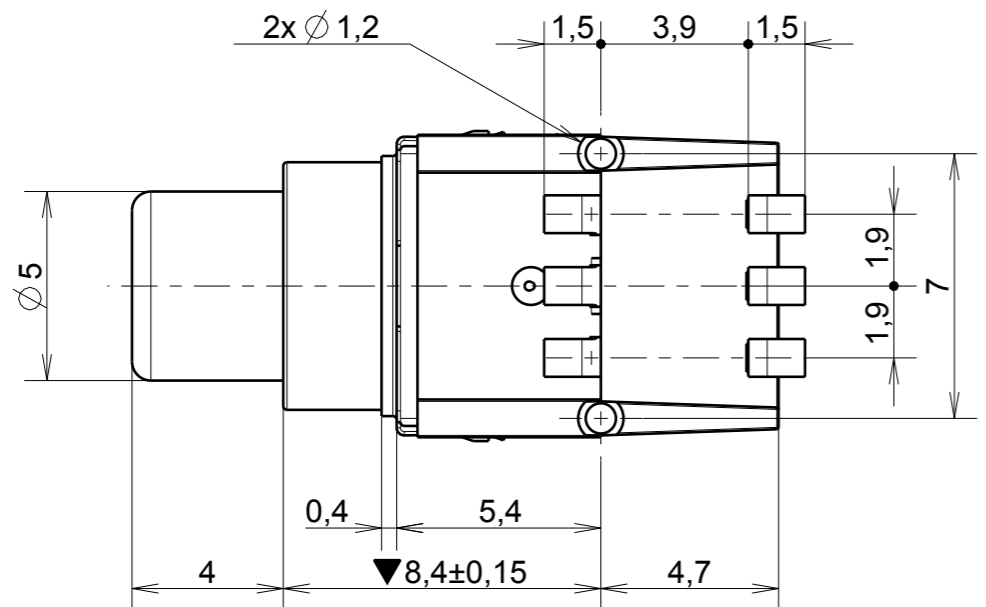


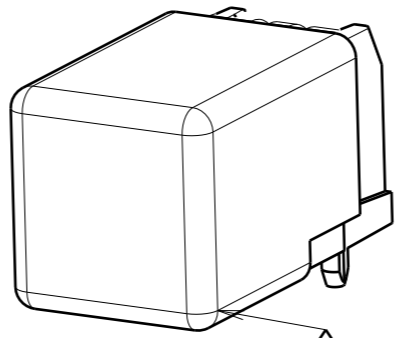
REV.	N° DCR	NATURE DE LA MODIFICATION	DATE	VISA
F	ECR-6328	Add two part numbers and part designations	22/04/11	Winter
H	ECR-7002 ECR-7048	Supress K5V1 & K5V2 and change New Protector	26/06/11	Bill
J	ECR-7355	Changing feature Led Blue	12/01/12	ER



PART NUMBER	DESIGNATION	CODE	LED COLOR	Test Condition (mA)	Luminous Intensity	Peak Wavelength (nm)	Dominant Wavelength	MAX Voltage (V)	MAX Current (mA)	Internal Contacts Plating	SMT Terminal Plating	SMT Terminal Cut OFF
71243131FP	K5V4BU43G	433	BLUE	2	60 mcd		470	3.4	10	Au	Au	PIN 3
71243121FP	K5V4YG43G	432	GREEN & YELLOW	20	36/36 min	574/590		2.5/2.5	30/30	Au	Au	PIN 4

MATERIAL / VOLUME	TREATMENT	PROTECTION
UNLESS OTHERWISE : - DIMENSIONS GIVEN BEFORE PROTECTION - BURRS AND SHARP EDGES DELETED	LINEAR TOLERANCE ± 0,1 ANGULAR TOLERANCE ± 1 SURFACE FINISH Ra	CRITICAL DIMENSIONS 2 SPC DIMENSIONS 0

CREATE BY BOUVIER_L	DATE 10-01-2003	MODIFICATION See revision table on the first sheet
CHECKED BY	DATE	REPLACE
APPROVED BY	DATE	FILENAME 71_M01_002_CU_JN621U FOLDER Dossier racine/dole_south_rd/k5/produit/k5v



SYSTEM CONFIDENTIAL

G&K
C&K Components

SCALE 5,000

SIZE A3 SHEET 1 / 1

PART DESCRIPTION: **K5 V (SPDT)
SMT (6 terminals)**

PART NUMBER: **CU 71M01002FP**

REV: **J**

NOTE : **1** Be careful for this version : static electricity can damage the LED.
2 For product characteristics , see product specification PS-K5V-033.
3 Delivered with a protector for Lead Free reflow sheet processes.

CE PLAN EST LA PROPRIETE DE C&K COMPONENTS SAS ET NE PEUT ETRE REPRODUIT OU COMMUNIQUE SANS AUTORISATION