

MERUS™ audio amp HAT ZW

User manual - KIT_40W_AMP_HAT_ZW

About this document

Scope and purpose

This document describes the MERUS™ audio amp HAT for Raspberry Pi Zero W equipped with the Infineon **MA12070P** proprietary multilevel class D amplifier. Detailed information is provided on the board's content, layout and use. A Raspberry Pi Zero W is mandatory for operation.

Intended audience

This document is intended for anyone working with the MERUS™ audio amp HAT, such as makers and audio engineers.

Attention: *Read through this user manual before operating the board.*

Attention: *Observe proper volume and limiter settings handling procedures. Failure to do so may result in damage to components on the board.*

Table of contents

About this document	1
Table of contents	1
1 MERUS™ audio amp HAT overview	3
1.1 Key features.....	3
1.2 Application and block diagram.....	4
2 MERUS™ audio amp HAT description	5
2.1 Features and specifications	5
2.2 Audio performance.....	5
2.3 Hardware description	5
2.3.1 Board description and pin functions.....	5
2.3.2 Schematics	7
2.3.3 Required input power	10
2.3.4 I ² S digital audio interface configuration	10
2.3.5 GPIO controls	10
2.3.6 Short-circuit protection	10
3 Hardware setup	11
4 Software setup	12
4.1 Raspberry Pi OS (previously called Raspbian)	12
4.1.1 Official Raspberry Pi OS method	12
4.1.2 MERUS™ custom kernel building (optional for advanced users).....	14
4.2 moOde audio player.....	14
4.2.1 Official moOde audio player method	14
4.3 Volumio.....	16
4.3.1 Official Volumio method.....	16

MERUS™ audio amp HAT ZW
User manual - KIT_40W_AMP_HAT_ZW

MERUS™ audio amp HAT overview

4.4	AirPlay (shairport-sync).....	17
4.5	alsamixer and maximum volume/limiter settings	18
4.5.1	alsamixer controls.....	18
4.5.2	Volume and limiter settings.....	20
4.6	Setting the amplifier in parallel bridge-tied load (PBTl) mode	21
5	References	22
6	Revision history	23

1 MERUS™ audio amp HAT overview

The MERUS™ audio amp is a hardware at the top (HAT) audio power amplifier board that brings the Infineon proprietary multilevel technology to Raspberry Pi users and makers. It is intended for loudspeaker building and wireless music streaming with minimum size and consumption, state-of-the-art power efficiency and HD audio quality. The MERUS™ audio amp is equipped with the **MA12070P** class D multilevel amplifier, which can provide up to 40 W instantaneous peak power from the official Raspberry Pi supply, and up to 48 kHz/24 bit music playback. Furthermore, there is no need for extra power supplies, as the MERUS™ audio amp is powered directly from the same supply as the Raspberry Pi Zero W. It is compatible with the most popular audio streaming applications for Raspberry Pi, such as Volumio, Max2Play and JustBoom, and it can be also used in Raspbian as an AirPlay client or Bluetooth audio receiver.

1.1 Key features

The MERUS™ audio amp HAT for Raspberry Pi Zero W has the following features:

- Equipped with MERUS™ **MA12070P** proprietary multilevel amplifier
- Compatible with both Raspberry Pi Zero and Raspberry Pi Zero W
- Compatible with major streaming applications for Raspberry Pi (Volumio, JustBoom, Max2Play)
- Power input: 5 V/2.5 A (sourced from the same single supply as the Raspberry Pi)
- No need for external or extra power supplies
- Up to 40 W instantaneous peak output power with the Raspberry Pi official 5 V/2.5 A supply
- Up to 48 kHz of sample rate and 24 bits of music playback
- THD + N: 0.077 percent at 7 W/4 Ω/1 kHz
- Full hardware control, customization and error monitoring through Linux alsamixer

1.2 Application and block diagram

The MERUS™ audio amp HAT is meant to be used and controlled with a Raspberry Pi Zero or Raspberry Pi Zero W. The application diagram in **Figure 1** shows the simplified connection scheme. The HAT has a boost converter built-in, which supplies 20 V to the **MA12070P** amplifier. It runs in slave mode so all the control and communication is handled by the Raspberry Pi, which is implemented in the software drivers. As shown, most applications will require a host controller such as a phone or computer over a wireless network.

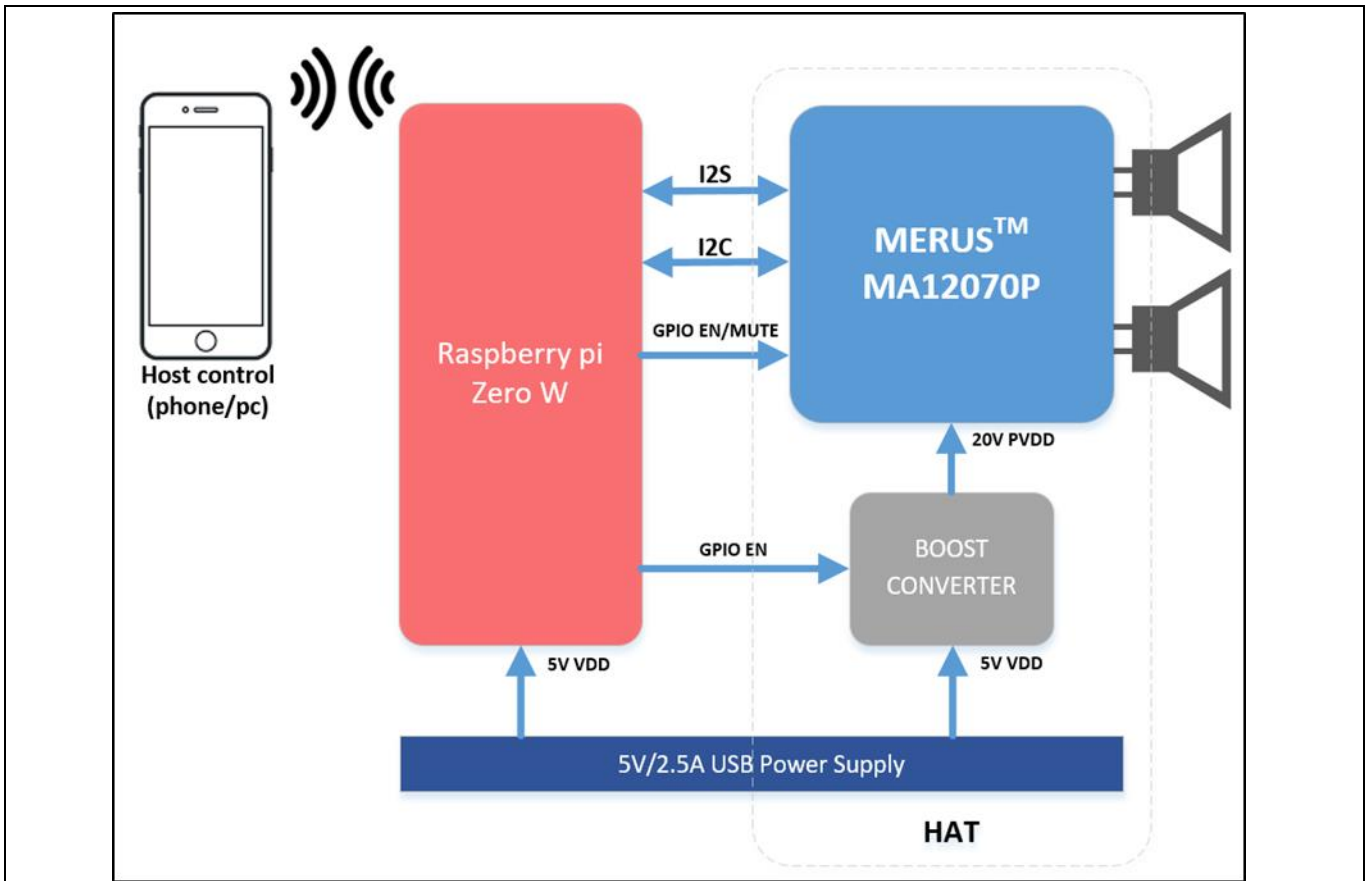


Figure 1 MERUS™ audio amp HAT application diagram

2 MERUS™ audio amp HAT description

2.1 Features and specifications

The MERUS™ audio amp board provides the following features and specifications:

- MERUS™ **MA12070P** multilevel class D amplifier
- Built-in boost converter from 5 V to 20 V to supply the **MA12070P** device
- Minimum power supply requirements:
 - micro USB power supply: 5 V to 2.5 A micro USB (no need for extra high voltage power supplies)
 - Battery/power bank: 5 V to 2.1 A 3000 mAh (may vary according to the protection mechanisms of the battery)
- I²S digital audio input
- I²C communication for full register map control
- Automatic enable control for booster and amplifier for secure boot-up and shut-down sequences
- Digital limiter for loudspeaker protection
- 2 x bridge tied loaded (BTL) channel default configuration
- Optional 1 x parallel bridge tied loaded (PBTTL) configuration for high-power true wireless stereo applications

2.2 Audio performance

- Output power P-channel (max. instantaneous peak – measured with music): 20 W, RL = 4 Ω
- Output power P-channel (max. average – measured with sine waves): 7 W – THD + N = 0.077 percent, RL = 4 Ω, f = 1 kHz
- THD + N: 0.014 percent – 1 kHz, P_{OUT} = 1 W, RL = 4 Ω
- Idle power consumption (HAT only): 390 mW
- Idle power consumption (HAT + Raspberry Pi): 970 mW
- Overall efficiency (1 W/ch at 4 Ω): 66 percent

2.3 Hardware description

2.3.1 Board description and pin functions

Figure 2 shows the board, pin distribution and functions of the MERUS™ audio amp HAT. It is shown that the design is centered on the **MA12070P** multilevel amplifier, which is supplied from both the TPS61178 built-in boost converter and the Raspberry Pi 5 V USB power supply. The **MA12070P** counts with a digital audio processor with master and independent volume controls per channel and with limiters implemented for device protection. For detailed information on **MA12070P** refer to the product datasheet.

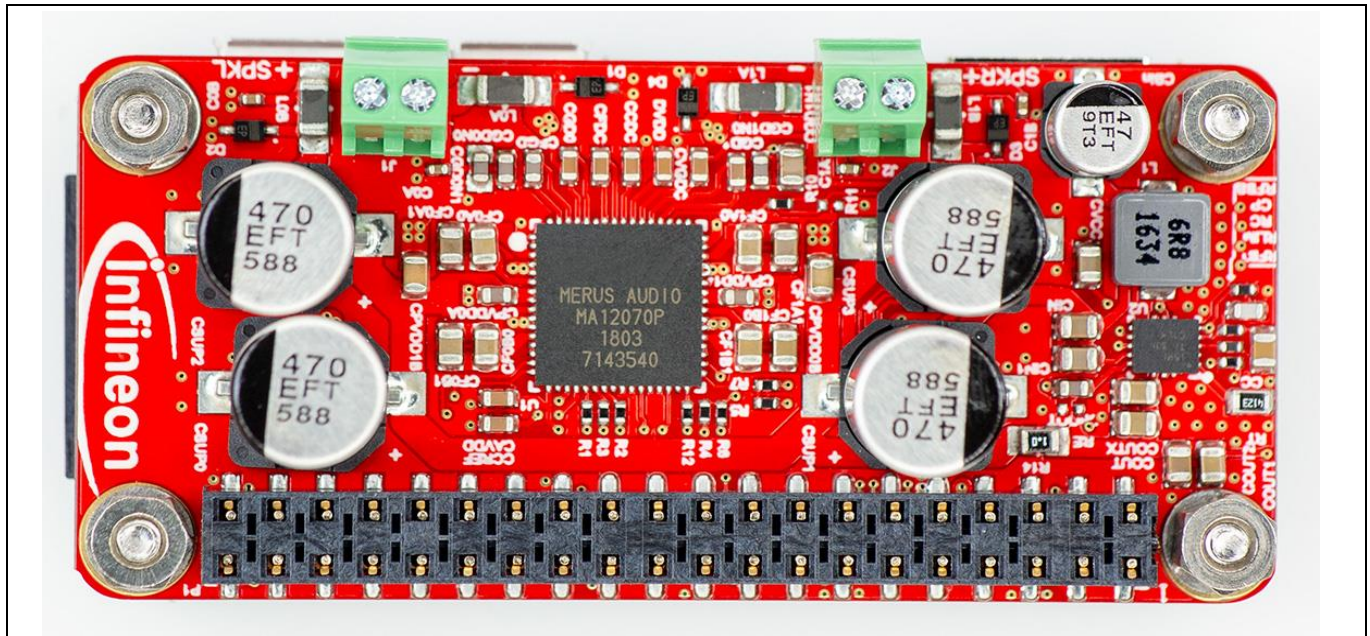


Figure 2 MERUS™ audio amp HAT board overview

Table 1 shows the pin function and description of the MERUS™ audio amp HAT.

Table 1 MERUS™ audio amp HAT pin description

Pin	Name	Type	Description
1	VDD	P	5 V power supply for internal digital circuitry and boost converter
2	VDD_3V3	P	3V3 power supply from Raspberry Pi (not used)
3	VDD	P	5 V power supply for internal digital circuitry and boost converter
4	SDA	I/O	I ² C bus serial data
5	GND	P	–
6	SCL	I/O	I ² C bus serial clock
7	/EN	I	MA12070P enable pin
8	NC	–	–
9	/MU	I	MA12070P mute pin
10	GND	P	–
11	PI_BCLK	I	MA12070P I ² S digital audio serial clock
12	BST_EN	I	Boost converter enable signal input
13	GND	P	–
14	NC	–	–
15	/ERROR	O	MA12070P error output pin
16	NC	–	–
17	/CLIP	O	MA12070P error output pin (not used)
18	NC	–	–
19	GND	P	–
20	NC	–	–
21	NC	–	–

MERUS™ audio amp HAT description

22	NC	-	-
23	MSEL0	I	MA12070P MSEL0 pin
24	NC	-	-
25	NC	-	-
26	GND	P	-
27	NC	-	-
28	NC	-	-
29	GND	P	-
30	NC	-	-
31	NC	-	-
32	NC	-	-
33	GND	P	-
34	NC	-	-
35	NC	-	-
36	PI_LRCK	I	MA12070P I ² S digital audio word clock
37	NC	-	-
38	NC	-	-
39	PI_DOUT	I	MA12070P I ² S digital audio serial clock
40	GND	P	-

2.3.2 Schematics

Figure 3 and **Figure 4** on the following pages show the MERUS™ audio amp HAT schematics.

MERUS™ audio amp HAT ZW

User manual - KIT_40W_AMP_HAT_ZW

MERUS™ audio amp HAT description



Author: Rien Oortgiesen
 Date: 16-11-2017
 Version: 1.0.zero

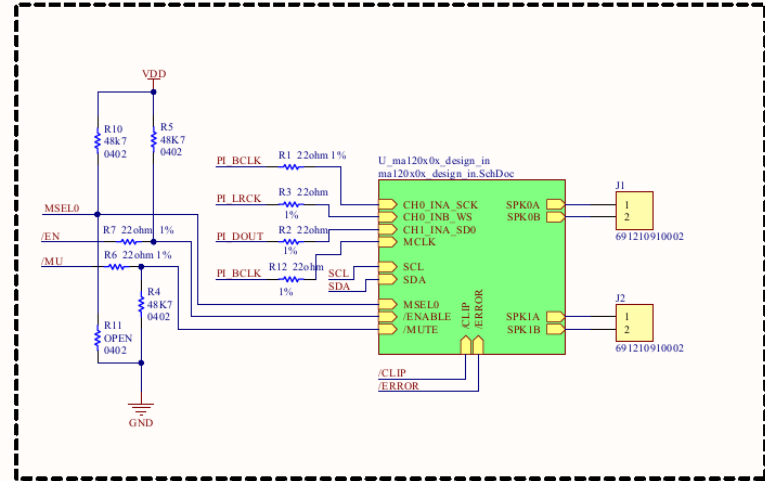
Description: This schematic contains the design-in of a pi HAT. It is intended to have a normal form factor a small form factor variant to facilitate pi 3 and pi zero respectively.

This design specifically aims the pi zero. Small form factor PCB design is key.

The board will be able to communicate through i2c with the pi by using the Merus Audio Linux Device Driver that is developed for this purpose.

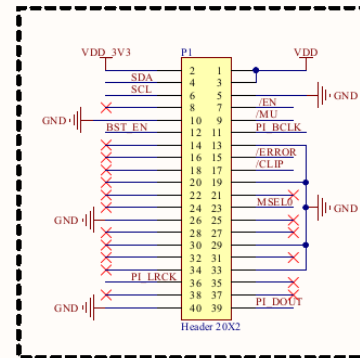
Design notes:

- The booster has been designed primarily by using TI webBench together with consulting the datasheet to sanity check component values.
- Input VDD can range from 4.5 to 5.5 with max 2A; boosting up to 20V with a max. current of 500mA.



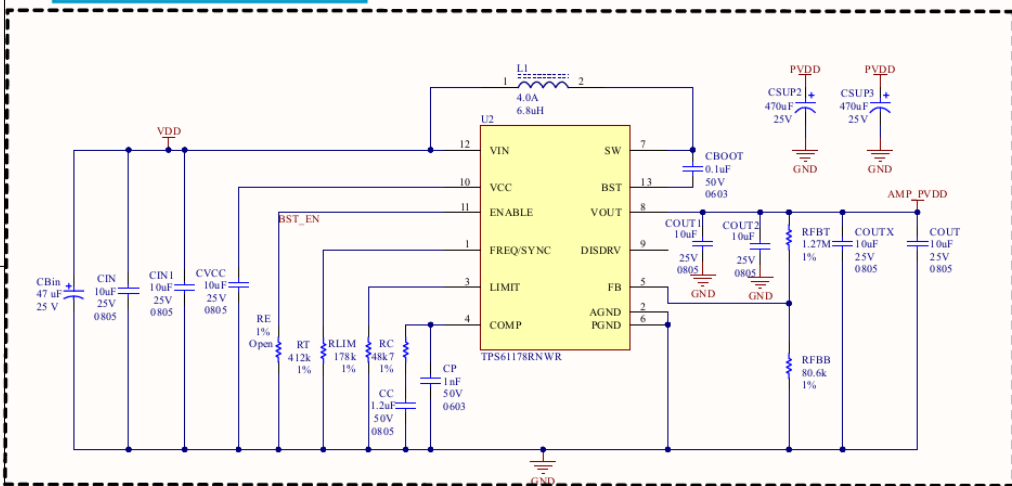
Design notes:

- Pull-up and pull-down for enable and mute to bypass software control
- See more details design notes on amp inside sub-schematic



Design notes:

- VDD = 5V; It will be supplied either by USB from the raspberry pi or from the PiDuce battery HAT; either case the max. current will be roughly 2A.
- pi Zero has 1.8k internal pull-up on the i2c bus; RnD tests have proven this to be sufficient when driving one device.



Title		
Size	Number	Revision
B		
Date:	23/04/2020	Sheet of
File:	U:\main Rev3.2.SchDoc	Drawn By:

Figure 3 MERUS™ audio amp HAT main schematic

MERUS™ audio amp HAT ZW

User manual - KIT_40W_AMP_HAT_ZW

MERUS™ audio amp HAT description

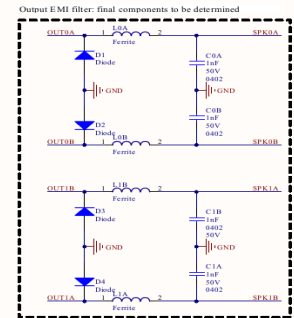
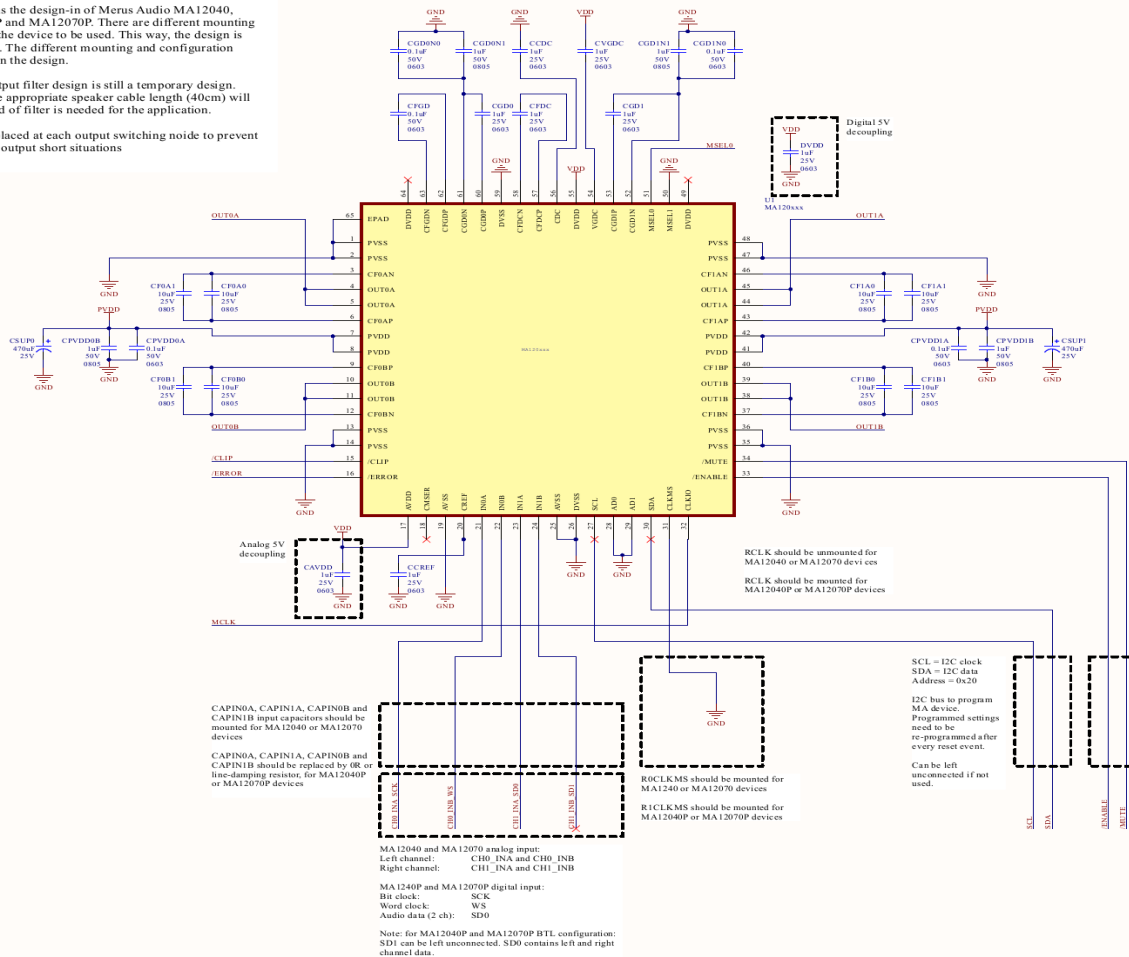
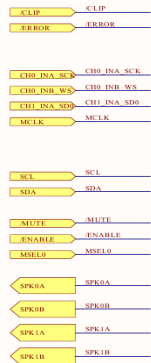


Author: Rien Oortgiesen
Date: 16-11-2017
Version: 1.2

Description: This schematic contains the design-in of Merus Audio MA12040, MA12070, MA12040P and MA12070P. There are different mounting options depending on the device to be used. This way, the design is suited for all 4 devices. The different mounting and configuration options are annotated in the design.

Please note that the output filter design is still a temporary design. Measurements with the appropriate speaker cable length (40cm) will have to show what kind of filter is needed for the application.

Protection diodes are placed at each output switching node to prevent chip substrate stress at output short situations



CAPIN0A, CAPIN1A, CAPIN0B and CAPIN1B input capacitors should be mounted for MA12040 or MA12070 devices

CAPIN0A, CAPIN1A, CAPIN0B and CAPIN1B should be replaced by 0R or line-damping resistor, for MA12040P or MA12070P devices

MA12040 and MA12070 analog input:
Left channel: CH0_INA and CH0_INB
Right channel: CH1_INA and CH1_INB

MA1240P and MA12070P digital input:
Bit clock: SCK
Word clock: WS
Audio data (2 ch): SDO

Note: for MA12040P and MA12070P RTL configuration:
SDI can be left unconnected. SDO contains left and right channel data.

RCLK should be unmounted for MA12040 or MA12070 devices
RCLK should be mounted for MA12040P or MA12070P devices

ROCLKMS should be mounted for MA1240 or MA12070 devices
R1CLKMS should be mounted for MA12040P or MA12070P devices

SCL = I2C clock
SDA = I2C data
I2C bus to program MA device.
Programmed settings need to be re-programmed after every reset event.
Can be left unconnected if not used.

Device is enabled by pulling /ENABLE low
Device is unmuted when /MUTE is pulled high
For pop-free start-up it is recommended to add a delay of 10ms between enable and unmute.

Title		Panda Reference Design	
Size	Number	Revision	
C		1.0	
Date:	22/04/2020	Sheet	of
File:	\\sma12040s_design_in.SchDoc	Drawn By:	Rien Oortgiesen

Figure 4 MERUS™ audio amp HAT main schematic
User Manual 9 of 24

2.3.3 Required input power

The MERUS™ audio amp HAT requires a 5 V USB power supply with a minimum of 2.5 A DC current output. It is designed to be used with the official Raspberry Pi power adapter. **MA12070P** limiter and volume default settings have been determined for different nominal loudspeaker impedances while used with the Raspberry Pi power supply. Details of these settings are covered in section 4.3.

2.3.4 I²S digital audio interface configuration

The I²S interface is implemented as a slave three-wire communication in the MERUS™ audio amp board. As shown in the schematics, the serial clock line PI_BCLK is also wired to the **MA12070P** master clock. This method is used as the Raspberry Pi Zero doesn't count with a master clock output for this purpose. Supported sample rates range from 44.1 kHz to 48 kHz and the word length is fixed to 32 bits per channel. The major applications for wireless audio streaming with the Raspberry Pi are able to decode and/or convert several audio formats including MP3, AAC, WAV and FLAC to 32 bits, and therefore this should be set in the required host application, e.g., MPlayer running on Raspbian.

2.3.5 GPIO controls

The MERUS™ audio amp board makes use of some of the available GPIOs from the Raspberry Pi for safe boot-up and shut-down sequences. These are automatically handled by the software drivers. During boot-up, at first the boost converter and **MA12070P** are disabled. Next, the boost converter will be enabled until the 20 V bypass capacitors are fully loaded. Finally, the **MA12070P** will be enabled. With regard to the mute control pin, the amplifier will be always muted until PCM streaming is present. This will avoid pop-noises during non-playback time and also during boot-up and shut-down sequences.

2.3.6 Short-circuit protection

The **MA12070P** amplifier has built-in protection mechanisms such as undervoltage lockout (UVLO), overtemperature warning/error, short-circuit/over-load protection, power stage pin-to-pin short-circuit, and DC protection. Additionally, the MERUS™ audio amp board counts with external protection diodes D1 to D4 at the output-in **Figure 4** to avoid inrush currents under any circumstances.

3 Hardware setup

The MERUS™ audio amp HAT is designed to be mounted directly on top of a Raspberry Pi Zero, just like other HATs. A female header is used on the board for this purpose. In order to safely separate the HAT from the Raspberry Pi board, 4 mm 2.5 M hex spacers are recommended. Normally 2.5 M screws will be used to attach both boards from bottom (Raspberry Pi) to top (HAT). The length of the screws depends on the attachment below the Raspberry Pi. For this purpose, a minimum space of 4 mm between the Raspberry Pi and the surface below is suggested to provide good air flow without overheating of the Raspberry Pi Zero. Passive loudspeakers should be directly connected to the terminal blocks of each channel. With regard to cable length, the MERUS™ audio amp HAT supports up to 60 cm length where radiated emission tests are necessary. However, in most of its applications this condition won't be needed and cables up to 5 m can be used.

Figure 5 and **Figure 6** show an assembly example with this hardware setup.

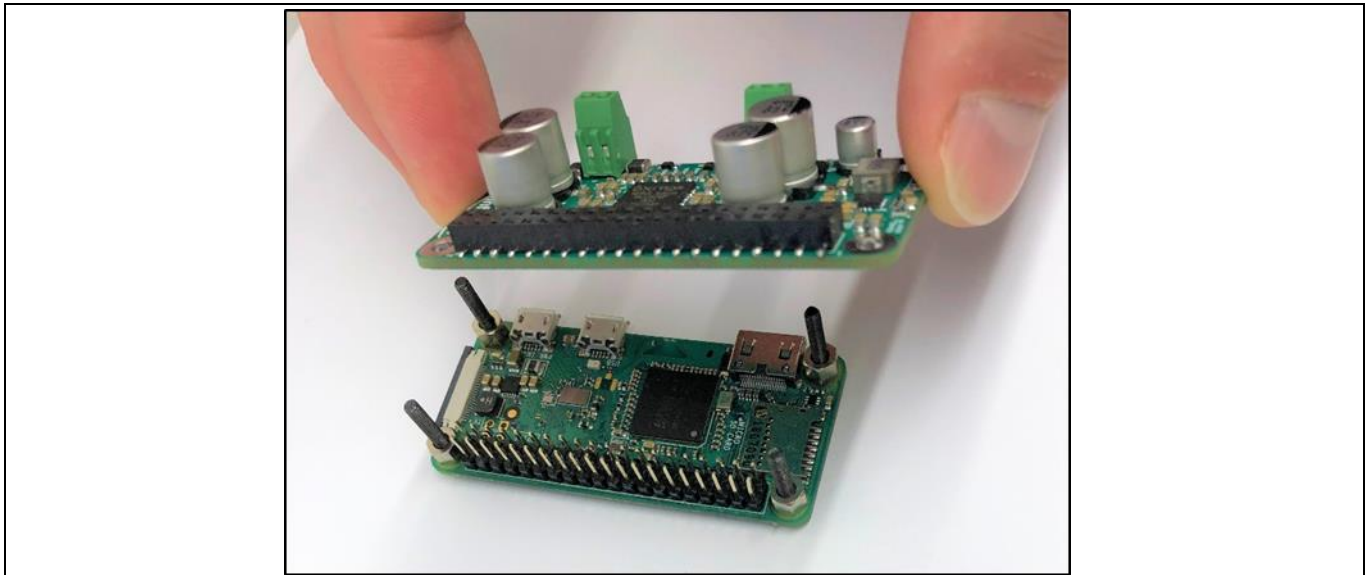


Figure 5 Assembly procedure of the Raspberry Pi + HAT using 2.5 M hex spacers between boards

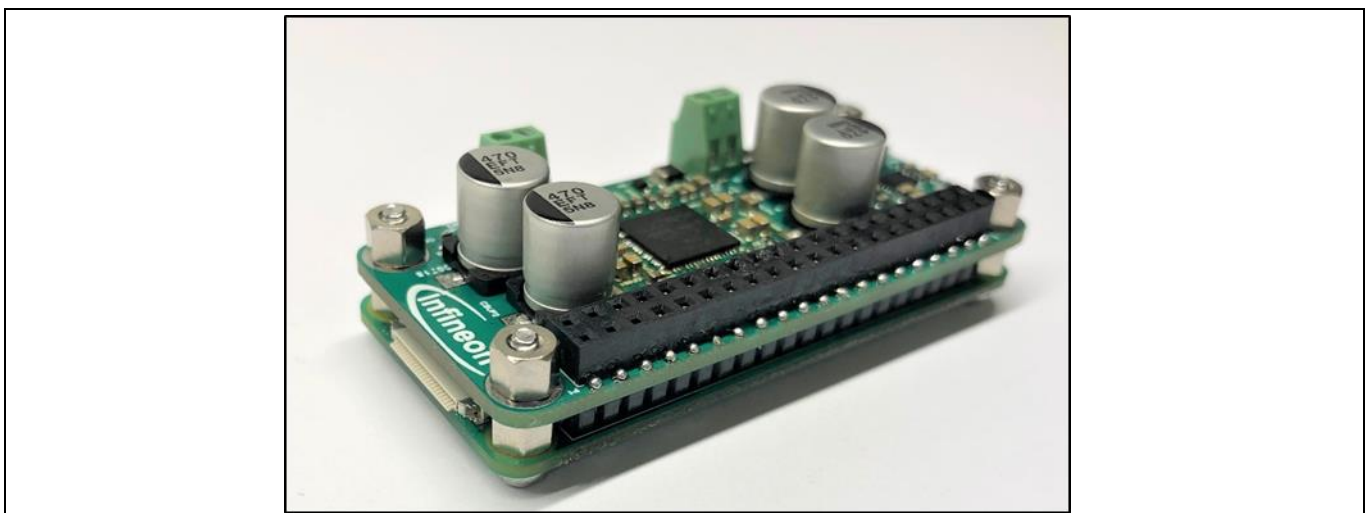


Figure 6 Completed assembly of the Raspberry Pi + HAT using 2.5 M hex spacers between boards

4 Software setup

This section describes how to install and setup the MERUS™ audio amp drivers and necessary software packages with different Linux distributions and applications. Each distribution may have more than one possible method. First, basic installation processes are covered for the main distributions, and finally alsamixer controls and volume settings for different loudspeaker loads are covered. It is strongly recommended to read the last section before using the MERUS™ audio amp HAT.

4.1 Raspberry Pi OS (previously called Raspbian)

4.1.1 Official Raspberry Pi OS method

In order to install Raspberry Pi OS on a Raspberry pi with the MERUS™ Raspberry Pi drivers, the following procedure should be applied on a Windows, macOS or Linux computer:

1. Download the Raspbian image file from this [link](#).
2. Download balenaEtcher (or any other SD card image burner) from this [link](#) and open it.
3. Insert your SD card into the host machine and burn the Raspberry Pi OS image file to the card.
4. Before unmounting the SD card:
 - o Open the file called “config.txt” located at the card’s boot partition.
 - o Replace the line

```
dtparam=audio=on
```

with

```
dtparam=audio=off
```

– this will turn off the built-in sound card of the Raspberry Pi.

- o Next, add the following line below the previous modification in order to load the MERUS™ amp driver during boot-up, and save the file.

```
dtoverlay=merus-amp
```

- o Configuring the wireless network and SSH:
 - Linux:

In order to stream audio via a wireless network it is necessary to configure the file called “wpa_supplicant.conf” located in the rootfs partition in the etc/wpa_supplicant directory. Open the file with a text editor and add the following content after the last line:

```
GROUP=netdev  
  
network={  
  
    ssid="YOUR_NETWORK_NAME"
```

Software setup

```
psk="YOUR_PASSWORD"  
}
```

- Windows:

In order to stream audio via a wireless network it is necessary to create a file called “wpa_supplicant.conf” located in the boot partition. You can do this by creating a file with a text editor with the following content (make sure the file doesn’t have any other extensions than .conf):

```
ctrl_interface=DIR=/var/run/wpa_supplicant GROUP=netdev  
update_config=1  
network={  
    ssid="YOUR_NETWORK_NAME"  
    psk="YOUR_PASSWORD"  
}
```

- To enable SSH access through your host computer create a file called “ssh” inside the boot partition. The file doesn’t need any content and must not have any other extension, such as .txt.
5. Once this file has been saved, the SD card can be unmounted and then inserted into the Raspberry Pi.
 6. Insert the SD card into the Raspberry Pi with the piHAT attached, and turn it on.
 7. Next, in order to log in remotely to the Raspberry Pi from a Linux or macOS machine, type the following (usually the password is “raspberrypi” if you are logging in for the first time):

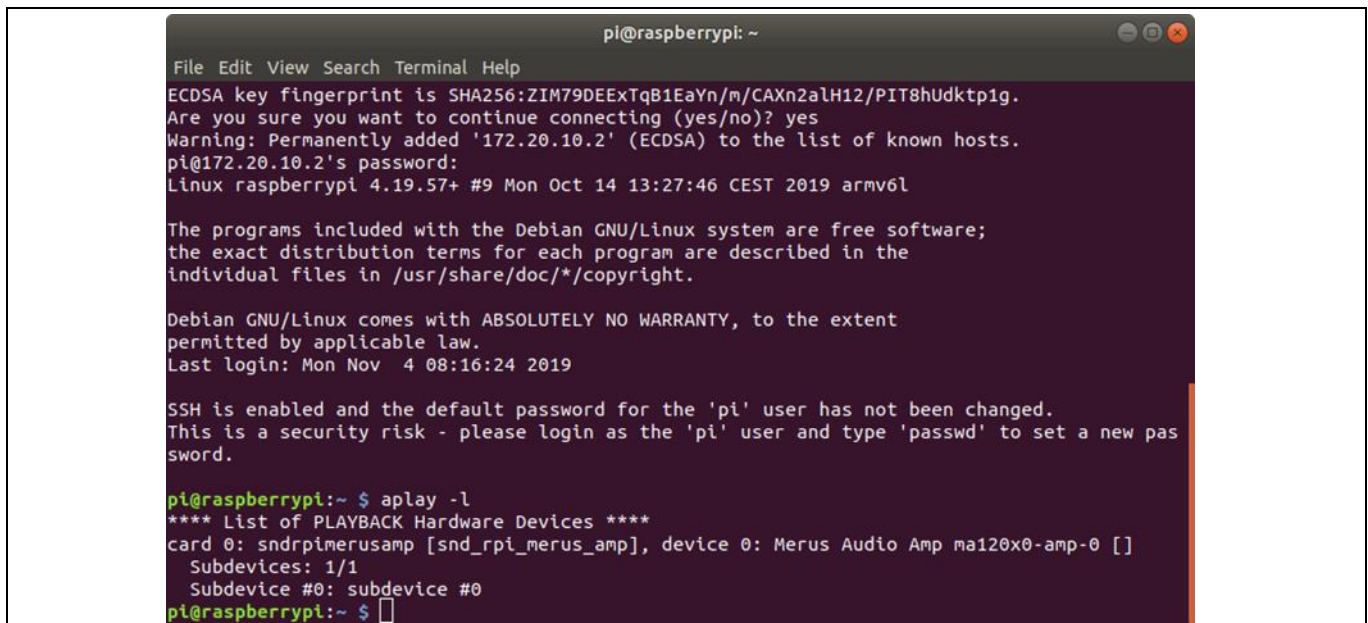
```
ssh pi@raspberrypi.local
```

8. If you are on a Windows machine use “pi” as the user and the Raspberry Pi IP address in the host address/name of any terminal window application such as **Putty** (usually the password is “raspberrypi” if you are logging in for the first time).
9. Finally, once you have accessed the Raspberry Pi through SSH, type:

```
aplay -l
```

to check that the driver’s sound card and codec were loaded. If the process has been successful the terminal should show the following output prompt:

Software setup



```
pi@raspberrypi: ~  
File Edit View Search Terminal Help  
ECDSA key fingerprint is SHA256:ZIM79DEEXtqB1EaYn/m/CAXn2alH12/PIT8hUdktP1g.  
Are you sure you want to continue connecting (yes/no)? yes  
Warning: Permanently added '172.20.10.2' (ECDSA) to the list of known hosts.  
pi@172.20.10.2's password:  
Linux raspberrypi 4.19.57+ #9 Mon Oct 14 13:27:46 CEST 2019 armv6l  
  
The programs included with the Debian GNU/Linux system are free software;  
the exact distribution terms for each program are described in the  
individual files in /usr/share/doc/*/copyright.  
  
Debian GNU/Linux comes with ABSOLUTELY NO WARRANTY, to the extent  
permitted by applicable law.  
Last login: Mon Nov  4 08:16:24 2019  
  
SSH is enabled and the default password for the 'pi' user has not been changed.  
This is a security risk - please login as the 'pi' user and type 'passwd' to set a new pas  
sword.  
  
pi@raspberrypi:~ $ aplay -l  
**** List of PLAYBACK Hardware Devices ****  
card 0: sndrpi_merus_amp [snd_rpi_merus_amp], device 0: Merus Audio Amp ma120x0-amp-0 []  
  Subdevices: 1/1  
  Subdevice #0: subdevice #0  
pi@raspberrypi:~ $
```

Figure 7 Sound card and codec verification with aplay -l command output

It shows that the default soundcard is “snd_rpi_merus_amp” with “ma120x0-amp-0” codec referring to the Infineon MA120x0P class D amplifier series.

12. Always make sure you have the latest update on your Raspberry Pi by typing the command line:

```
sudo apt update
```

and then:

```
sudo apt full-upgrade
```

When the process is finished, reboot the system.

4.1.2 MERUS™ custom kernel building (optional for advanced users)

A custom kernel building of the Raspbian kernel source is possible with the the MERUS™ audio amp HAT drivers. This method allows the user to make modifications not only to the drivers but also to the kernel source while maintaining compatibility with the last kernel version. This procedure is covered in [2].

4.2 moOde audio player

4.2.1 Official moOde audio player method

In order to install moOde audio player with the MERUS™ Raspberry Pi drivers for, the following procedure should be applied on a Windows, macOS or Linux computer:

1. Download the moOde audio image file from this [link](#).
2. Download balenaEtcher (or any other SD card image burner) from this [link](#) and open it.
3. Insert your SD card in the host machine and flash the downloaded moOde audio image file to the card.

Software setup

4. After the flash process insert the SD card into the Raspberry Pi and turn it on.
5. To configure the wireless network settings of moOde audio, connect your host machine or mobile phone to the “Moode” network and then type <http://moode.local> into your browser (password is moodeaudio).
6. Go to the configure section(under the “m” menu) at the top right corner and select “Network”. Press scan and select your network name in the SSID slot. Finally, insert your country and password. Press save but don’t reboot the system yet.

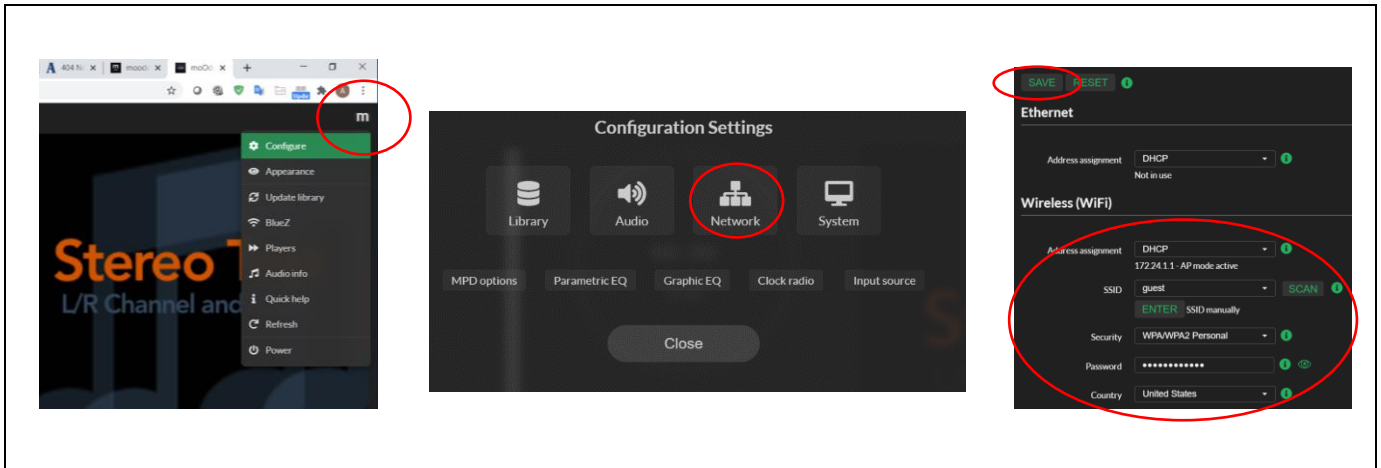


Figure 8 moOde audio player GUI. Network configuration

7. Next, go to the configure section again and select audio. In “I2S audio device” select MERUS™ audio amp piHAT as the system’s sound card and press “SET”.

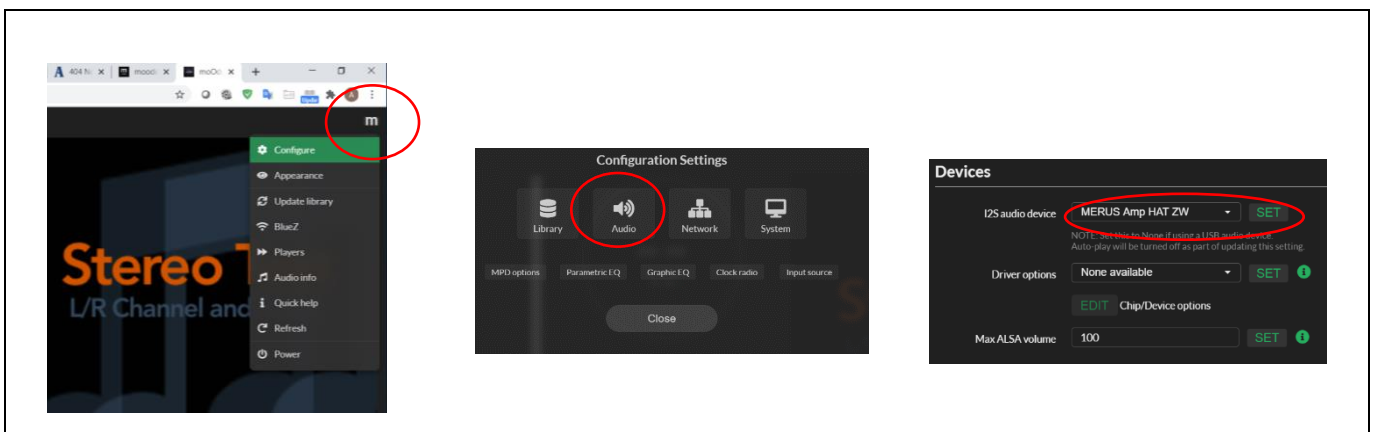


Figure 9 moOde audio player GUI. I2S configuration

8. Scroll down and under “Renderers” turn the Bluetooth and pairing agent options “on” and press “SET” in both. Then turn on the “Airplay” option and also press “SET”. Finally, press “EDIT” under Airplay and configure it for 44.1 KHz and 32-bit playback. **Don’t forget to press save!**

Software setup

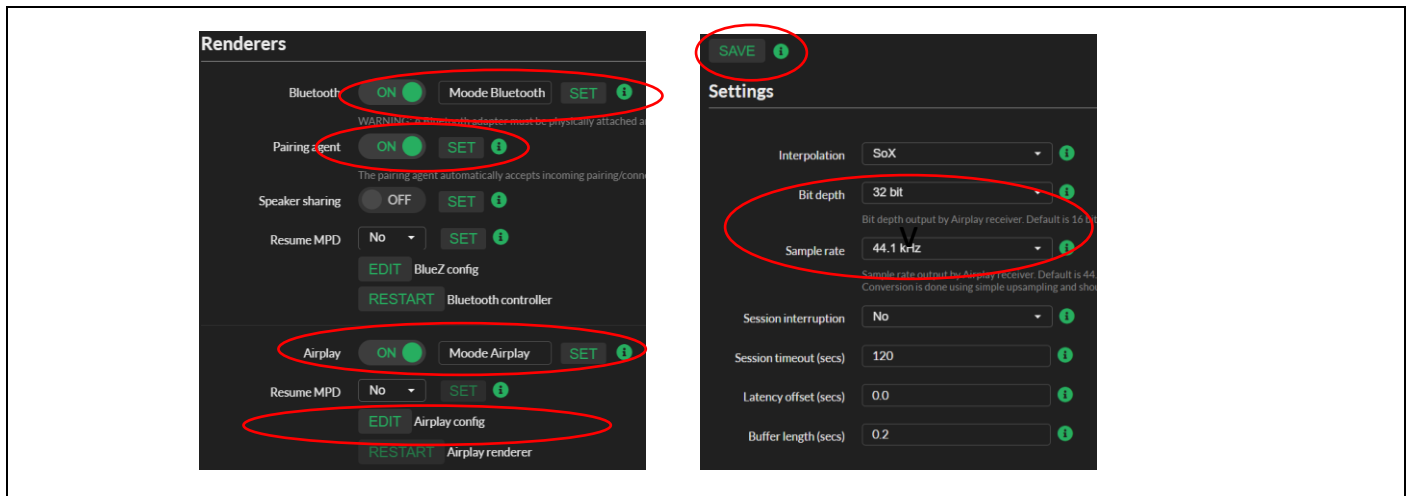


Figure 10 moOde audio player GUI. Bluetooth and Airplay configuration.

9. Select “Shutdown” from the menu and then turn on the Raspberry Pi again so the system is rebooted.

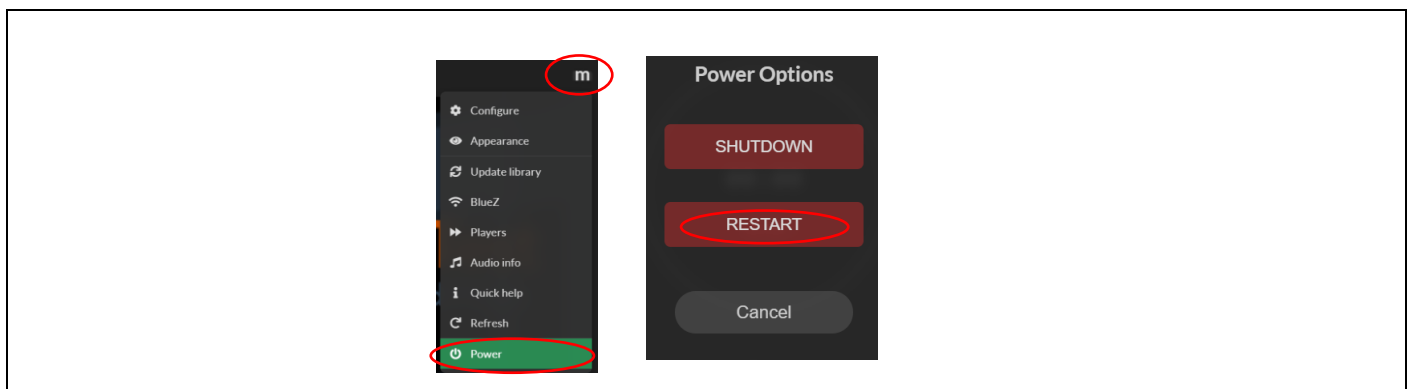


Figure 11 moOde audio player GUI. Power menu, restart.

10. Proceed to section 4.4 to configure the MA12070P amplifier settings

4.3 Volumio

4.3.1 Official Volumio method

The MERUS™ audio amp HAT software drivers already have support on the official Volumio distribution. To install the MERUS™ Raspberry Pi drivers for Volumio the following procedure should be applied on a Windows, macOS or Linux computer:

11. Download the Volumio image file from this [link](#).
12. Download balenaEtcher (or any other SD card image burner) from this [link](#) and open it.
13. Insert your SD card in the host machine and flash the downloaded Volumio image file to the card.
14. After the burning process, insert the SD card into the Raspberry Pi and turn it on.

Software setup

15. To configure the wireless network settings of Volumio, connect your host machine or mobile phone to the “Volumio” network and then type <http://volumio.local> into your browser.
16. Go to the settings section and follow the instructions in the Volumio GUI to finish your wireless configuration. The next time the Raspberry Pi is booted it will connect to the configured network automatically.
17. Finally, go to the settings section and select “Playback options” to configure the MERUS™ audio amp HAT as the system’s sound card. Turn the I²S option on and choose MERUS™ audio amp as the output device and DAC model.
18. Select “Shutdown” from the menu and then turn on the Raspberry Pi again so the system is rebooted.
19. For more information visit the [Volumio documentation site](#).
20. Turn on the Raspberry Pi (pre-configuration should have been applied according to the steps above).
21. Type “<your Raspberry Pi IP address>/DEV” or “volumio.local/DEV” on your host machine’s web browser and press “ENABLE” under the SSH section. There is no output warning or message after enabling the SSH option, so once the button has been pressed do not expect any messages. For details visit https://volumio.github.io/docs/User_Manual/SSH.html.
22. Next, in order to log in remotely to the Raspberry Pi from a Linux or macOS machine, type the following (including your IP address) in the terminal window:

```
ssh volumio@<ipadress>
```

23. If you are on a Windows machine use “volumio” as the user and the Raspberry Pi IP address in the host address/name of any terminal window application such as [Putty](#). The password is “volumio”.
24. Finally, once you have accessed the Raspberry Pi through SSH, type:

```
aplay -lL
```

to check the driver’s sound card and codec were loaded. If the process was successful the terminal should show the same output prompt as in [Figure 4](#).

It shows that the default sound card is “snd_rpi_merus_amp” with “ma120x0-amp-0” codec referring to the Infineon MA120x0P class D amplifier series.

4.4 AirPlay (shairport-sync)

Wireless audio streaming in Raspbian is also possible with shairport-sync, which brings AirPlay support to the Raspberry Pi. In order to install shairport-sync type the following command in the Raspberry Pi terminal window:

```
sudo apt-get install shairport-sync
```

Finally, open any AirPlay-compatible streaming application and find your Raspberry Pi host name as an AirPlay device.

Software setup

4.5 alsamixer and maximum volume/limiter settings

4.5.1 alsamixer controls

The MERUS™ audio amp sound card driver comes with its own set of controls implemented in the alsamixer, which provide direct access to the **MA12070P** multilevel amplifier registers and digital audio processor. It is strongly recommended to read section 4.3.2 in order to not exceed the maximum power ratings.

By typing the following command (for any Linux distribution distribution) in the Raspberry Pi terminal:

```
alsamixer
```

the following mixer will be shown:

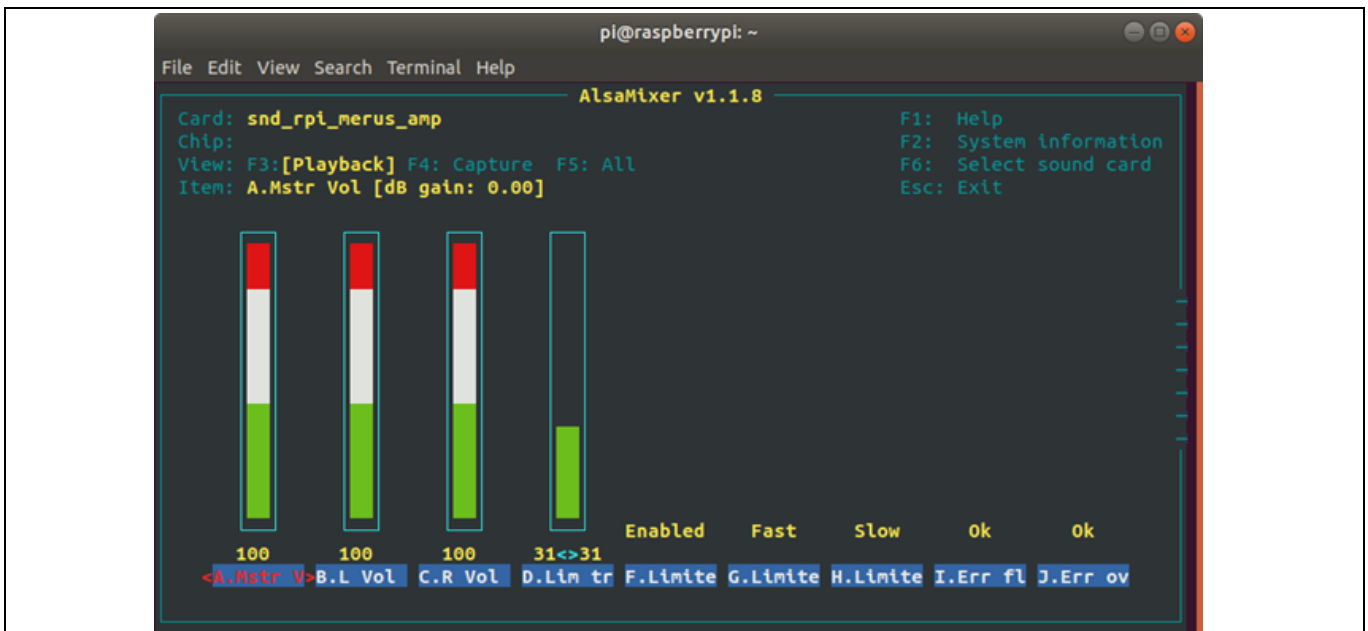


Figure 12 MERUS™ audio amp sound card driver mixer (first page)

By scrolling to the right, the last controls will be shown as the following picture:

Software setup

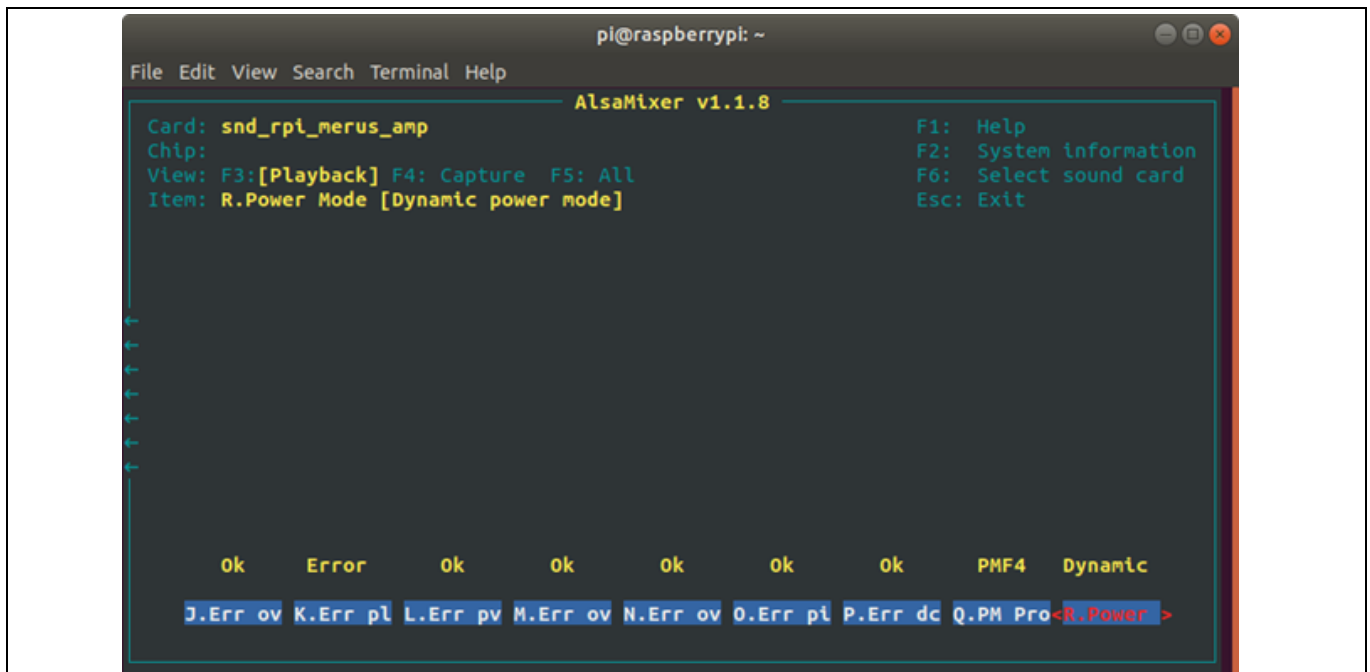


Figure 13 MERUS™ audio amp sound card driver mixer (second page)

It should be noted that all the mixer controls are ordered from left to right and from “A” to “R”. It is recommended to use the item description located at the top-left corner to have a more detailed description of each control and its current status. Increasing master volume and limiter thresholds controls from their default values should be done carefully. Exceeding the recommended settings may damage the devices permanently.

For detailed information about volume and limiter settings please refer to section 4.3.2.

Table 2 lists the available alsamixer controls of the **MA12070P** in the MERUS™ audio HAT. The register and access type is also specified.

Table 2 alsamixer controls and their registers

Item/Control	alsamixer name	MA12070P register	Access type
A	Mstr Volume	0x40	Read/Write
B	L Vol	0x42	Read/Write
C	R Vol	0x43	Read/Write
D	Lim thresh Volume	0x47 and 0x48	Read/Write
E	N/A	N/A	N/A
F	Limiter Enable	0x36	Read/Write
G	Limiter Attck	0x35	Read/Write
H	Limiter Rls	0x35	Read/Write
I	Err flycap	0x6D	Read only
J	Err overcurr	0x6D	Read only
K	Err pllerr	0x6D	Read only
L	Err pvddunder	0x6D	Read only
M	Err overtempw	0x6D	Read only
N	Err overtempe	0x6D	Read only

Software setup

O	Err pinlowimp	0x6D	Read only
P	Err dcprot	0x6D	Read only
Q	PM Prof	0x1D	Read/Write
R	Power Mode	0x00	Read/Write

Controls I to P show the error status of the **MA12070P**. If there are no errors an “OK” string should appear in each control. It should be noted that “Err pllerr” will show an error when the Raspberry Pi is booted. After any audio signal has been played the control should show no errors.

4.5.2 Volume and limiter settings

In order to not reach maximum output current limits of the booster and its inductor it is necessary to set the limiter values properly. In relation to this point, a protection mechanism has been implemented in the HAT, which will mute and disable the **MA12070P** amplifier when the maximum output current is reached. In order to set the correct limiter settings for a specific loudspeaker impedance, the following procedure should be applied:

1. Enter the alsamixer in Raspbian or Volumio.
2. Turn the limiter control “Lim thresh Volume” down to -40 dB.
3. Set the volume control “Mstr Volume” to 0 dB.
4. Turn up the volume of your audio source (phone, computer, etc.) to maximum.
5. Start playing music.
6. Start carefully increasing the limiter control in 1 dB steps while looking at the current limiter level. Here there are two possible results:
 - a. When the maximum output current has been reached, the device will mute and it will be disabled.
 - b. The Raspberry Pi has been rebooted automatically because of the voltage drop of the power supply being used.
7. Take note of the last limiter threshold value that was reached.
8. Reboot the Raspberry Pi and set the limiter value to 1 or 2 dB less than the last value reached before the reboot.
9. If no limiting at all is desired on the audio signal at full scale, set the volume to the same level as the limiter value found in step 8. However, this will reduce the loudness of the system. If maximum loudness is desired, maintain the volume at 0 dB.
10. If it is necessary or if the device is muted and disabled again, reboot the Raspberry Pi one more time and reduce the limiter threshold by 1 dB more.

Software setup

Table 3 shows suggested limiter threshold values according to the nominal speaker impedance and its approximate DC resistance value using the official Raspberry Pi power supply. It is worth mentioning that these values may vary, but they are a good starting point to know where the limiter threshold should be set.

Table 3 Suggested limiter threshold values vs. speaker impedance

Loudspeaker impedance	≈ DC resistance	Max. lim. threshold allowed
2 Ω	2 Ω	-16 dB
4 Ω	3.5 Ω	-13 dB
4 Ω	4 Ω	-11 dB
6 Ω	6 Ω	-9 dB
8 Ω	8 Ω	-7 dB

Optionally, if the audio source can't reach full level for any reason, the volume can be increased accordingly. However, in order to keep the booster output current below acceptable limits, the threshold should not be modified.

4.6 Setting the amplifier in parallel bridge-tied load (PBTl) mode

The easiest way to set the board into PBTl mode is by pulling down the Raspberry pi's GPIO 8, which is connected to the MESL0 pin of the MA12070P amplifier. To do this the following line should be added to the config.txt file located at the root partition of the sd card:

```
gpio=8=op,d1
```

For more information on this functionality refer to the [MA12070P datasheet](#).

5 References

- [1] EMC output filter recommendations for MA120XX(P) –
<https://www.infineon.com/cms/en/product/power/class-d-audio-amplifier-solutions/integrated-class-d-audio-amplifier-ics/ma12070p/>
- [2] Drivers and kernel building with MERUS™ audio amp HAT Z –
https://www.infineon.com/dgdl/Infineon-KIT_40W_AMP_HAT_ZW-ApplicationNotes-v01_00-EN.pdf?fileId=5546d4626eab8fbf016eef808ad46be9

6 Revision history

Document version	Date of release	Description of changes
V 1.0	20-08-2019	First release
V 1.1	03-02-2019	Update image file links
V 1.2	23-04-2020	Update schematics and pin table
V 1.3	09-07-2020	Add moOde audio and Raspberry Pi OS section
V 1.4	28-09-2020	Add Volumio official method and PBTl setting section.
V 1.5	06-05-2021	Correct version fields and update table of contents.
V 1.6	09-11-2021	Correct Raspberry pi OS link

Trademarks

All referenced product or service names and trademarks are the property of their respective owners.

Edition 2021-11-09

Published by

Infineon Technologies AG

81726 Munich, Germany

© 2021 Infineon Technologies AG.

All Rights Reserved.

Do you have a question about this document?

Email: erratum@infineon.com

Document reference

UM_1911_PL88_1912_152704

IMPORTANT NOTICE

The information contained in this application note is given as a hint for the implementation of the product only and shall in no event be regarded as a description or warranty of a certain functionality, condition or quality of the product. Before implementation of the product, the recipient of this application note must verify any function and other technical information given herein in the real application. Infineon Technologies hereby disclaims any and all warranties and liabilities of any kind (including without limitation warranties of non-infringement of intellectual property rights of any third party) with respect to any and all information given in this application note.

The data contained in this document is exclusively intended for technically trained staff. It is the responsibility of customer's technical departments to evaluate the suitability of the product for the intended application and the completeness of the product information given in this document with respect to such application.

For further information on the product, technology, delivery terms and conditions and prices please contact your nearest Infineon Technologies office (www.infineon.com).

WARNINGS

Due to technical requirements products may contain dangerous substances. For information on the types in question please contact your nearest Infineon Technologies office.

Except as otherwise explicitly approved by Infineon Technologies in a written document signed by authorized representatives of Infineon Technologies, Infineon Technologies' products may not be used in any applications where a failure of the product or any consequences of the use thereof can reasonably be expected to result in personal injury.