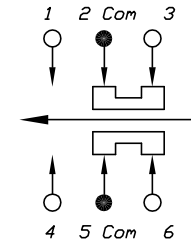
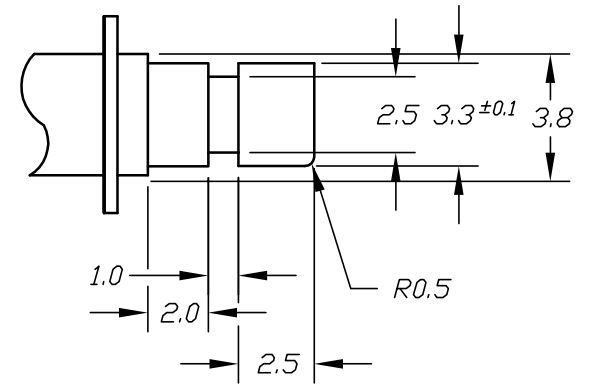
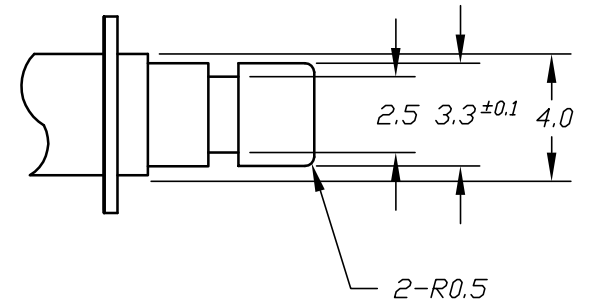
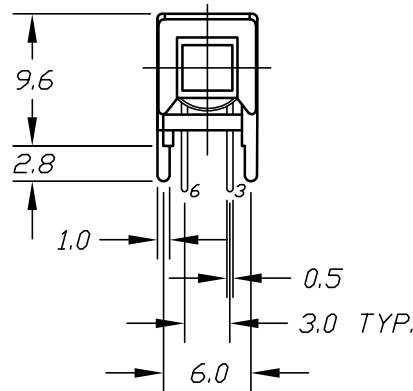
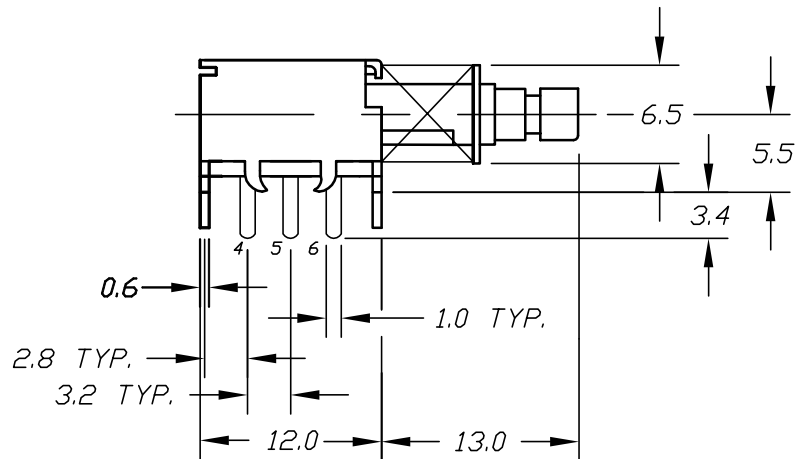


RECOMMEND P.C.B. HOLES



CIRCUIT: DPDT

CONTACT CONFIGURATION



(ACTUATOR DETAIL) SCALE 4:1

NOTES:

1. ALL DIMENSIONS IN MM
2. GENERAL TOLERANCE: X.X=±0.4
X.XX=±0.25
3. TERM. NOS. FOR REFERENCE ONLY.
4. RATING: DC 30V, 0.3A
5. OPERATING FORCE: 330±150GF
6. TRAVEL: FULL 3.5MM; LOCK 2.5MM
7. TIMING: SHORTING

E-SWITCH®

TITLE				
LC2255EESP				
SCALE	DATE	DR	DWG	REV
2:1	12/10/03	AR	P020103	A

THE INFORMATION CONTAINED IN THIS DOCUMENT IS PROPRIETARY TO E-SWITCH AND IS NOT TO BE COPIED OR TRANSFERRED

A	13647	RELEASED FOR PRODUCTION	12/10/03	AR
REV.	ECN No.	DESCRIPTION	DATE	CHKD