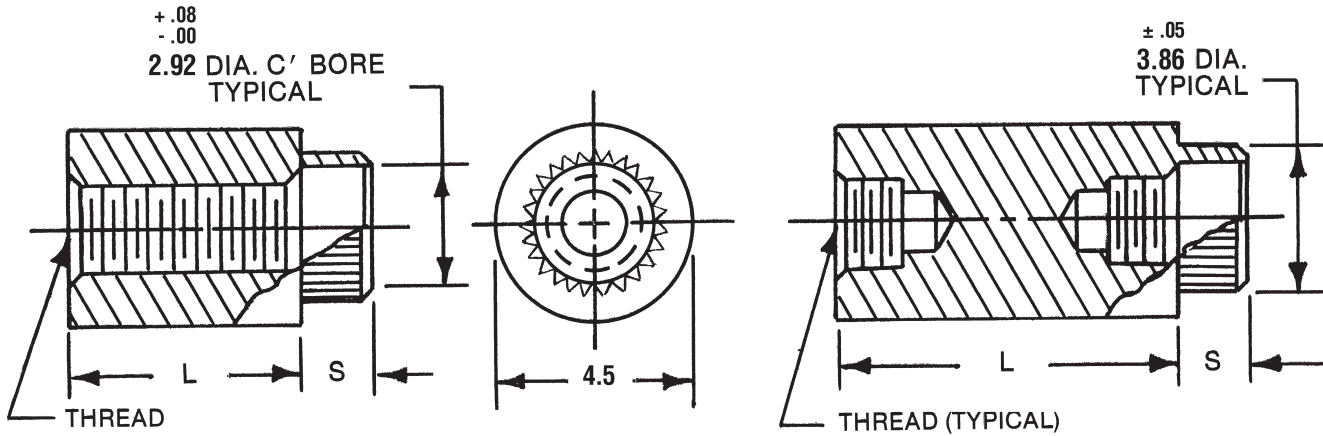




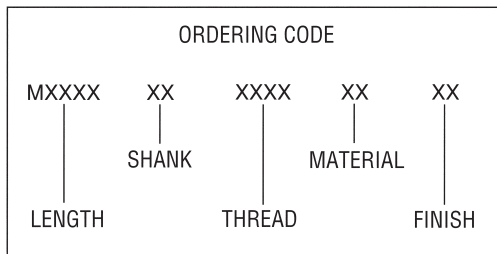
# 4.5mm ROUND FULL KNURLED SWAGE STANDOFFS



L = STANDOFF LENGTH  
 S = SHANK LENGTH  
 P = BOARD THICKNESS

See page iv for installation information

See page 7M for thread depth chart  
 See page 6M for finish codes  
 For non-standard parts contact Sales Office



| SWAGE/PANEL CODE |   |     |
|------------------|---|-----|
| ± .08            | S | P   |
| 1.9              | A | .8  |
| 2.7              | B | 1.6 |
| 3.4              | C | 2.4 |
| 4.2              | D | 3.2 |

| LENGTH | PART NO. |
|--------|----------|
| 3      | M1800    |
| 4      | M1801    |
| 5      | M1802    |
| 6      | M1803    |
| 7      | M1804    |
| 8      | M1805    |
| 9      | M1806    |
| 10     | M1807    |
| 11     | M1808    |
| 12     | M1809    |
| 13     | M1810    |
| 14     | M1811    |

| LENGTH | PART NO. |
|--------|----------|
| 15     | M1812    |
| 16     | M1813    |
| 17     | M1814    |
| 18     | M1815    |
| 19     | M1816    |
| 20     | M1817    |
| 21     | M1818    |
| 22     | M1819    |
| 23     | M1820    |
| 24     | M1821    |
| 25     | M1822    |

| THREAD    | CODE |
|-----------|------|
| M2.5x0.45 | 2545 |
| M3x0.5    | 3005 |

| MATERIAL        | CODE | RoHS |
|-----------------|------|------|
| Aluminum        | AL   | YES  |
| Brass           | B    | YES  |
| Stainless Steel | SS   | YES  |
| Steel           | S    | YES  |

