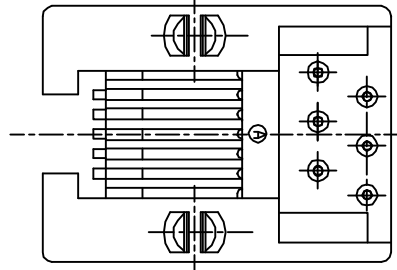
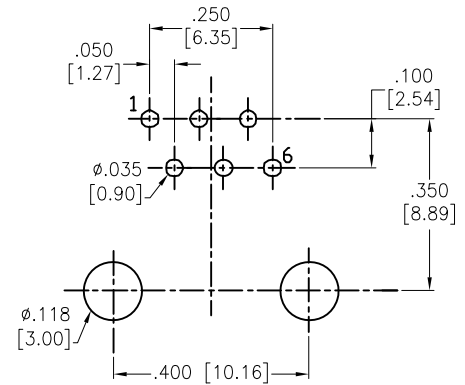
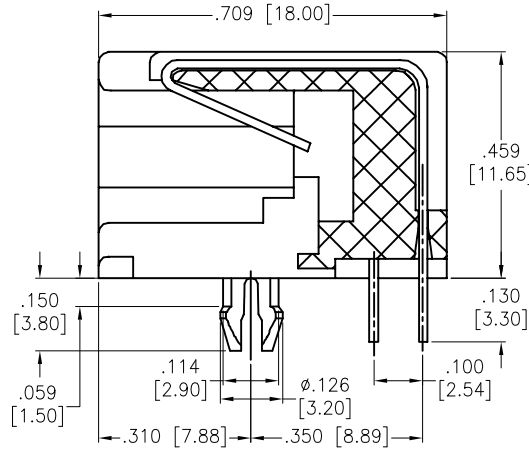
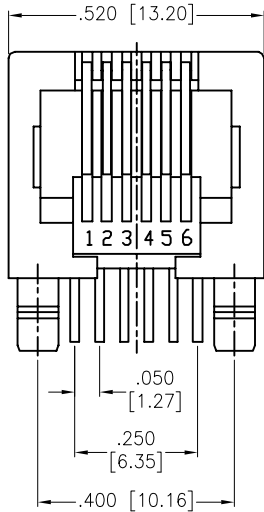


APPROVED: _____
 DATE: _____ TITLE: _____

Rev	AWO #	Description	Date	Appr
-		RELEASED	10/4/04	
A		REVISED DIM.	2/05/10	
B		REDRAWN	06/08/12	
C		UPDATED SPEC.	6/20/18	HR/TW
D		CORRECTED DIM ON PCB LAYOUT	11/30/22	SS



SPECIFICATIONS:

Material:
 Insulator: PBT, rated UL 94V-0
 Insulator color: Black
 Contacts: Phosphor Bronze
 Plating:
 Round contact
 Gold over Nickel underplate overall
 Flat contact
 Gold over Nickel underplate on contact area,
 Tin over Nickel underplate on solder tails

Electrical:
 Voltage rating: 125 VAC max
 Current rating: 1.5 Amps max
 Contact resistance: 35 mohms max
 Insulation resistance: 1,000 Mohms min @ 500 VDC
 Dielectric withstanding voltage: 1,000 VAC for 1 minute
 Temperature Rating:
 Operating temperature: -40°C to +85°C
 Environmental:
 Lead free, RoHS compliant.



UNLESS OTHERWISE SPECIFIED ALL DIMENSIONS ARE INCHES [MM] TOLERANCES: EXCEPT AS NOTED	
INCHES	HOLES
.X ± .10	ϕ .X ± .10
.XX ± .020	ϕ .XX ± .015
.XXX ± .015	ϕ .XXX ± .010
APPROVALS	
DRAWN	DATE
CHECKED	
APPROVED	

ADAM TECH INTERCONNECTS
 909 Rahway Avenue,
 Union, NJ 07083
 Phone: 908-687-5000
 Fax: 908-687-5710

TITLE MODULAR TELEPHONE JACK, 6P6C RIGHT ANGLE, PCB, COLOR BLACK	
SIZE X	PART NO. MTJ-665X1
REV. D	
REF: S00005C	SCALE: NTS
SHEET 1 OF 1	