

6

5

4

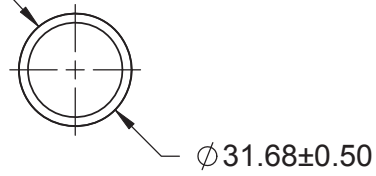
3

2

1

REVISIONS					
REV.	ECR#	ZONE	DESCRIPTION	CHANGED BY/DATE	APPROVED BY/DATE
AA			INITIAL RELEASE	K.S. 09-23-10	K.S. 09-23-10

VENTED CAP FOR INVERTED MOUNTING



D

D

C

C

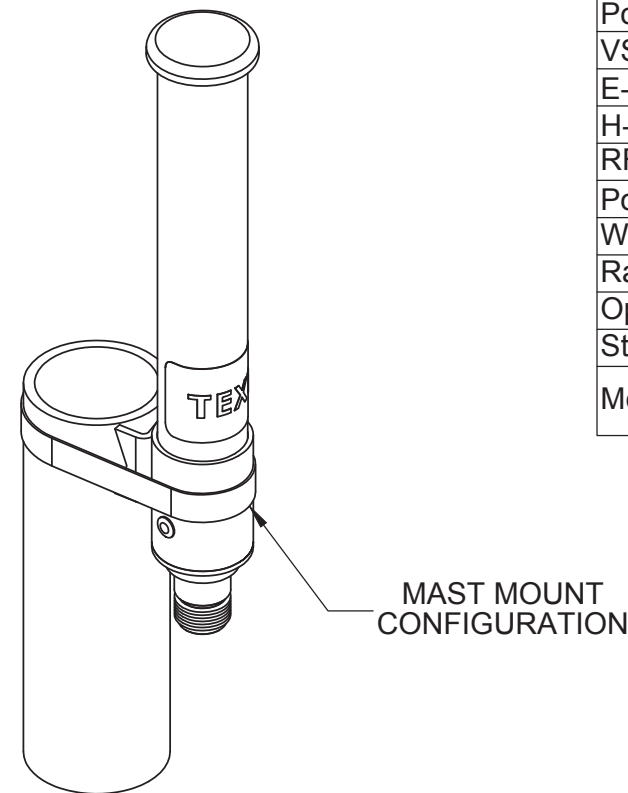
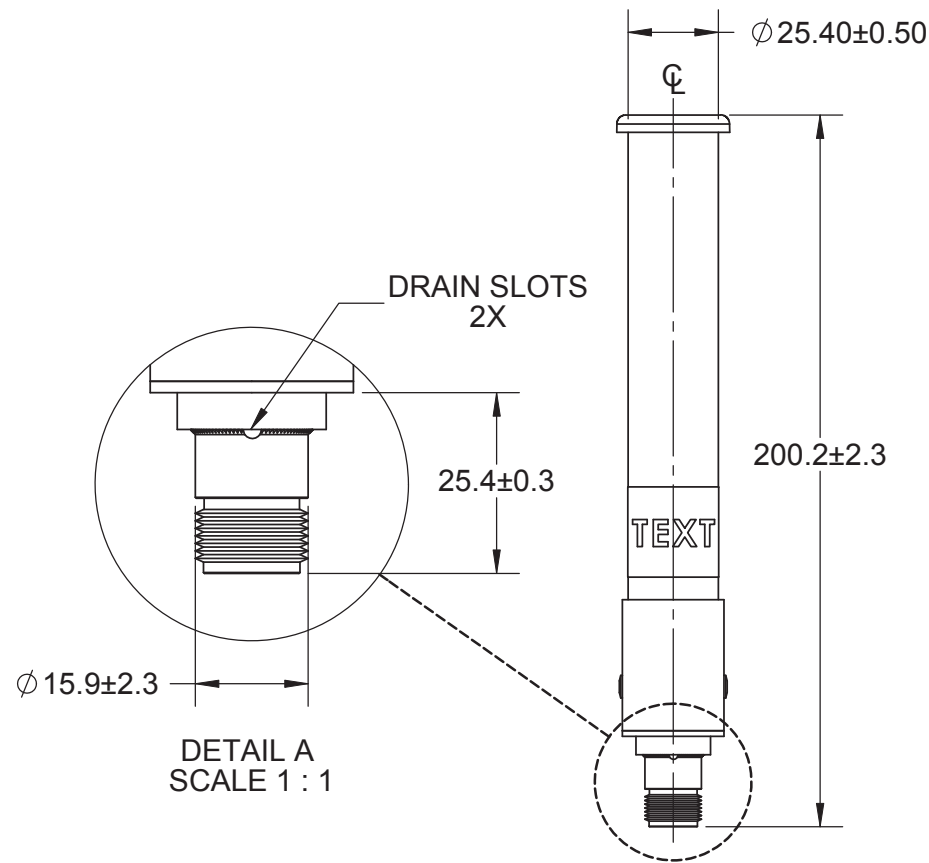
B

B

A

A

Parameter	Performance
Model Number	OC51505-FNF
Frequency	5150-5875MHz
Gain	5dBi
Polarization	Linear, Vertical
VSWR	2.0:1
E-Plane 3dB Beamwidth	29°
H-Plane 3dB Beamwidth	Omnidirectional
RF Connector	Type N, Female, Fixed, Tri-Metal
Power	10 Watts
Weight	0.18kg
Radome	Polycarbonate, UV, White
Operational Temperature	-30°C to +70°C
Storage Temperature	-40°C to +85°C
Mounting	Connector Fixed or Mast Mount Kit, Upright and Inverted Orientation



MATERIAL: N/A		THIRD ANGLE PROJECTION		
FINISH: N/A		DO NOT SCALE DRAWING		
APPROVALS		DATE	TITLE:  <b>OC51505-FNF</b>	
DRAWN BY	K. SEARL	08-04-10		
PROJ. ENG.	T. PETROPOULOS	11-29-10		
APPL. MECH.	S. JOHNSON	11-29-10		
MFG.	I. CHICKLIS	11-29-10	DIMENSIONS ARE IN MILLIMETERS  ANGLE: ±30° 0 PLACE DECIMAL: ±0.5 1 PLACE DECIMAL: ±0.25 2 PLACE DECIMAL: ±0.13 SURFACE ROUGHNESS 1.6/√	
THIS DRAWING IS UNPUBLISHED. RELEASED FOR PUBLICATION -,- © Copyright 2022 TE Connectivity Ltd. ALL RIGHTS RESERVED.		SIZE <b>A3</b>		DWG. NO. <b>OC51505-FNFMO</b>
		SCALE: 1:2	PREVIOUS#	SHEET 1 OF 1

6

5

4

3

2

1