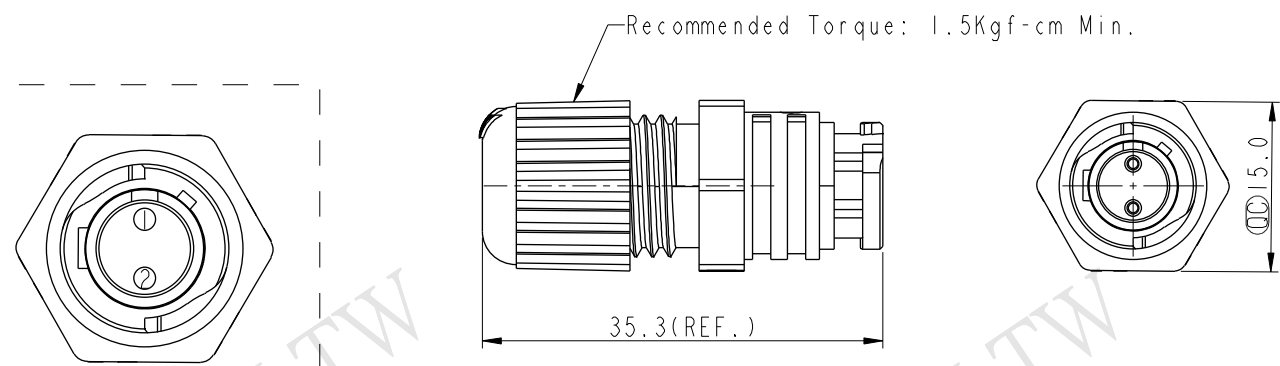
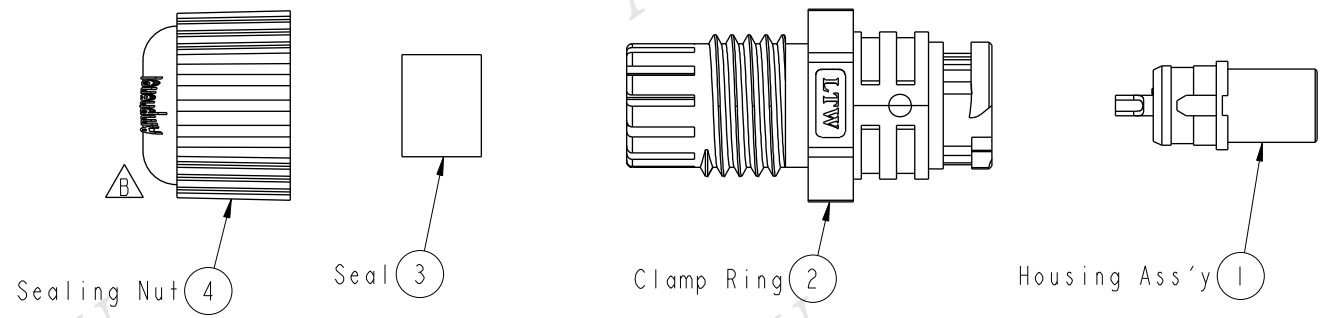


THIS DOCUMENT IS SUBJECT TO CHANGE WITHOUT NOTICE. IT IS CONFIDENTIAL AND A PROPERTY OF AMPHENOL LTW. DISCLOSURE TO THIRD PARTY HAS TO BE AUTHORIZED BY AMPHENOL LTW.

REV.	ECN NO.	DATE	SIGN	DESCRIPTION
A	Initial Release	2012/10/25	Ruru	PLD-02BMFA-QL7001 To PLD-02BMFA-QL7001
B	LEN1510150	2015/01/08	Vicky	Update Logo & Tolerance

ALTW
 CONFIDENTIAL
 2015-01-08
 R&D DEPT.

ALTW
 DCC. DEPT.
 CONFIDENTIAL
 2015.01.15
 ISSUED



- Note:
- * \varnothing Important Dimension To Check.
 - * Waterproof Rate: IP67.
 - * Female Pin: Copper Alloy, Gold Plated.
 - * Housing: Nylon, UL 94V-0, Black.
 - * Seal: Silicone, UL 94V-0, Gray.
 - * Clamp Ring: Nylon, UL 94V-2, Black.
 - * Sealing Nut: Nylon, UL 94V-2, Black.
 - * Seal for Cable OD: \varnothing 4.5mm~ \varnothing 6.5mm.
 - * Operating Voltage Max: AC 300 V Rms.
 - * Operating Current Max: 5A.
 - * One Set Unassembled In One Bag.

UNIT:mm TOLERANCE ± 0.5 mm		TITLE ASSY,PUSH LOCK,2PIN M CONN F PIN		<h1>Amphenol LTW</h1>		ITEM NO PLD-02BMFA-QL7001	DRAWN BY Vicky	DATE 2015-01-08	
		SCALE 3:2	SIZE A4	SHEET 1 OF 1	<h2>安費諾亮泰企業股份有限公司</h2>		DWG NO PLD-02BMFA-QL7001	CHECKED BY Sam	DATE 2015-01-08
		REV. B	WC-REV. A.2	\varnothing : Inspection item			CUSTOMER ALTW	APPROVED BY Rita	DATE 2015-01-08