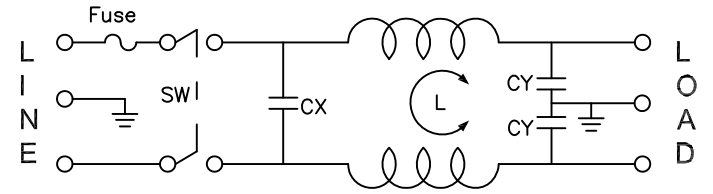
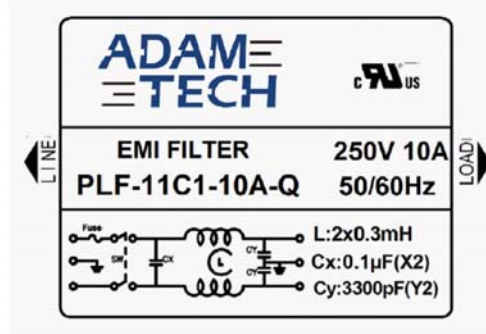
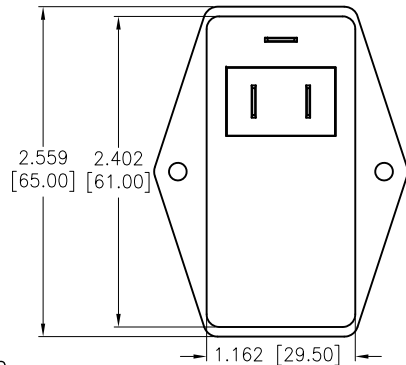
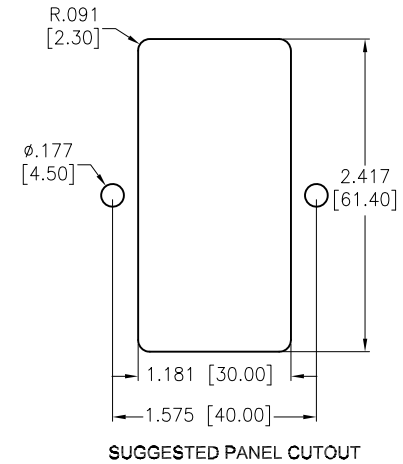
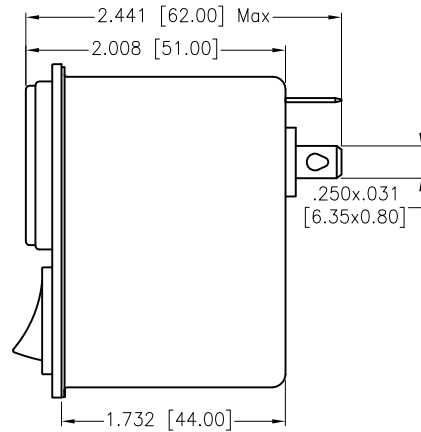
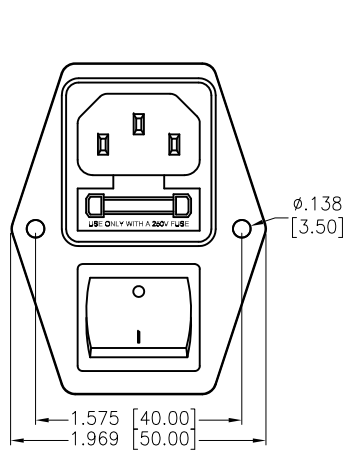


APPROVED: _____
 DATE: _____ TITLE: _____

Rev	AWO #	Description	Date	Appr
-		RELEASED	12/6/21	
A		UPDATE DIM	4/8/22	WX/RC
B		ADDED DRAWING	5/27/22	WX/RC



L: 2x0.3mH
 Cx: 0.1uF(X2)
 Cy: 3300pF(Y2)

SPECIFICATIONS:
 Electrical:

- Voltage rating: 115/250 VAC
- Current rating: 115/250 VAC: 10A RMS max
- Operating Frequency: 50/60Hz
- Leakage Current: Each Line To Ground
 - @115VAC/60HZ 0.4mA max
 - @250VAC/50HZ 0.8mA max
- Hipot Rating(For 1 Minute)
 - A. Line to Ground: 2,250 VDC
 - B. Line to Line: 1450 VDC
- IR: 50 Mohm @500 VDC Any Input or Output to Ground
- Temperature Rating: -25°C to +100°C

Environmental:
 Lead free, RoHS compliant

UNLESS OTHERWISE SPECIFIED ALL DIMENSIONS ARE INCHES [MM]. TOLERANCES: EXCEPT AS NOTED

INCHES		HOLES	
.X	± .10	ØX	± .10
.XX	± .020	ØXX	± .015
.XXX	± .015	ØXXX	± .010

DRAWN	JJ	12/6/21
CHECKED	RC	12/6/21
APPROVED		

THIS DRAWING CONTAINS INFORMATION THAT IS PROPRIETARY AND SHOULD NOT BE USED WITHOUT PRIOR WRITTEN PERMISSION FROM ADAM TECH

ADAM TECH

909 Rahway Avenue,
 Union, NJ 07083
 Phone: 908-687-5000
 Fax: 908-687-5710

TITLE	EMI/RF POWER FILTER FLANGED MODULE, W/FUSE AND SWITCH		
SIZE	PART NO.	REV.	
X	PLF-11C1-10A-Q	B	
REF: S00205C	SCALE: NTS	SHEET 1 OF 2	

6

5

4

3

2

1

APPROVED: _____

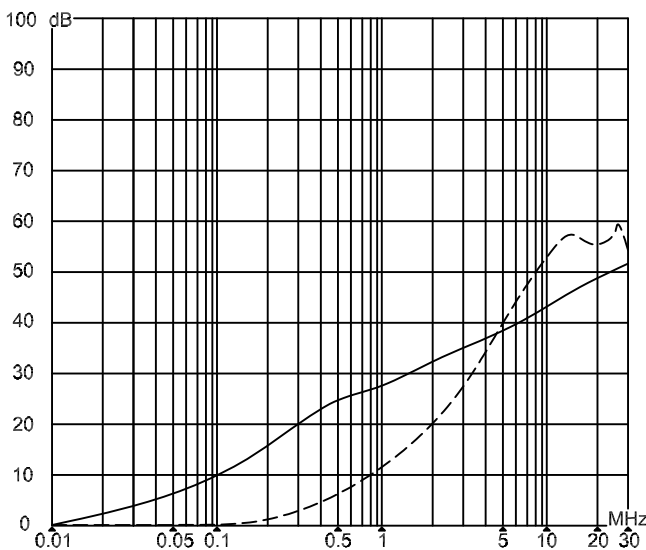
DATE: _____ TITLE: _____

Rev	AWO #	Description	Date	Appr
-----	-------	-------------	------	------

SEE SHT 1 OF 2 FOR REVISION

INSERTION LOSS(IN 50 ohm system according IEC/CISPR

————— (common mode)
 - - - - - (differential mode)



UNLESS OTHERWISE SPECIFIED ALL DIMENSIONS ARE INCHES [MM]. TOLERANCES: EXCEPT AS NOTED

INCHES	Holes
.X ± .10	ØX ± .10
.XX ± .020	ØXX ± .015
.XXX ± .015	ØXXX ± .010

DRAWN	JJ	12/6/21
CHECKED	RC	12/6/21
APPROVED		

THIS DRAWING CONTAINS INFORMATION THAT IS PROPRIETARY AND SHOULD NOT BE USED WITHOUT PRIOR WRITTEN PERMISSION FROM ADAM TECH

ADAM TECH 909 Rahway Avenue, Union, NJ 07083
 Phone: 908-687-5000 Fax: 908-687-5710

TITLE	EMI/RF POWER FILTER FLANGED MODULE, W/FUSE AND SWITCH	
SIZE	PART NO.	REV.
X	PLF-11C1-10A-Q	B
REF: S00205C	SCALE: NTS	SHEET 2 OF 2

6

5

4

3

2

1