

Rapid CPU Liquid Cooler

The Wakefield-Vette's RAPID Liquid CPU cooler is a device designed to draw heat away from the system CPU and other components in an enclosure. Using a Liquid CPU cooler to lower CPU temperatures improves efficiency and stability of the system more than a forced fan convection device.

Liquid cooling has become so reliable in motherboards that it has become the new way of higher performance cooling. With this Liquid CPU cooler is compact by combining the radiator and pump, for versatile application use. Fit both liquid and dual fans easily and snugly over the CPU, sending liquid and air to the motherboard's core and its surrounding components.

Features & Benefits:

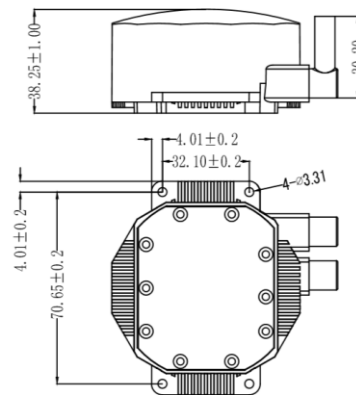
- Low-profile chamber pump design features a low vibration pump
- Low Noise Operation
- Mounting solution compatible with Intel® & AMD sockets
- Compatible with most chassis footprints

RAPID CPU COOLER™

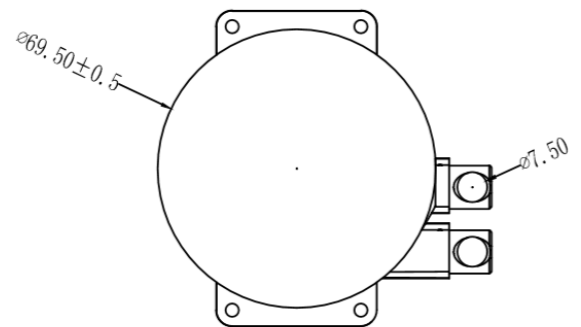


WKV Part Number	Description	Fan Size	Power Interface	Fan Voltage (V)	Fan Speed (rpm +/- 10%)	Dimensions	CPU Wattage (Watts)	Thermal Resistance (C/W)
RAPID-L120	120mm CPU Liquid Cooler	120 x 120 x 25mm	3 Pin	12	1000	154 x 154 x 27mm	130	0.15
RAPID-L240	240mm CPU Liquid Cooler	120 x 120 x 25mm	3 Pin	12	1000	154 x 240 x 27mm	180	0.11

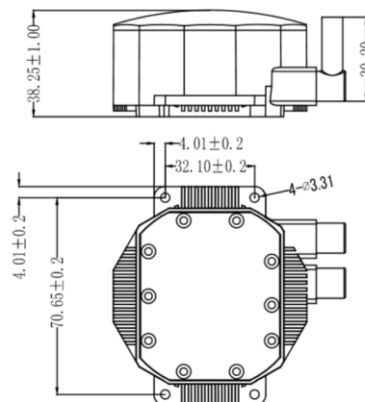
RAPID-L120



Pump Plate Dimensions



RAPID-L240



Pump Plate Dimensions

