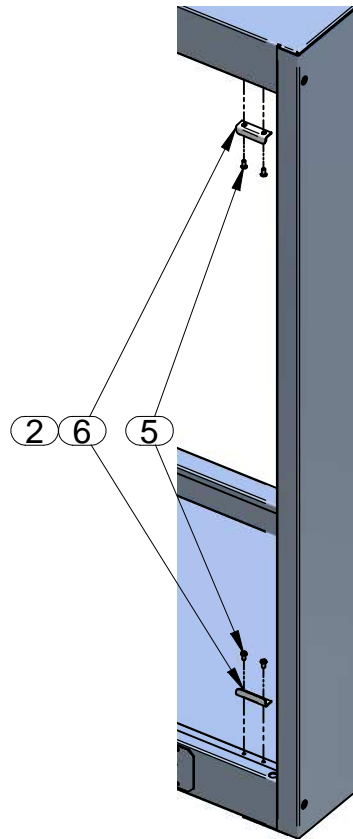


DOOR ASSEMBLY



DOOR STOP ASSEMBLY

ASSEMBLY INSTRUCTIONS:

- A) Louvered flush doors (item 1) are to be hinged on the right hand side only.
- B) Enclosure must be leveled prior to assembly of door.
- C) Install the bushing (item 3) in hinge side hole in the top of door opening and the bushing (item 3) in the hinge side hole in the bottom of door opening.
- D) Using 4 self-tapping screws (item 5) supplied locate the door stop (item 2) on the cowling in the holes provided opposite the hinge side top and bottom.
- E) Apply small strips of gasket (item 6) to the door stops acting as a cushion.
- F) Locate the door into the bushings by means of the spring loaded hinge pins. (Welded to the door top and bottom).

PARTS LIST

ITEM No.	DESCRIPTION	QTY
1	FLUSH DOOR	1
2	DOOR STOPS	2
3	BRASS BUSHING	2
4	SELF TAPPING SCREWS	4
5	GASKET STRIPS	2

TOOL BOX



#2 Phillips
Screw Driver



Hammer

