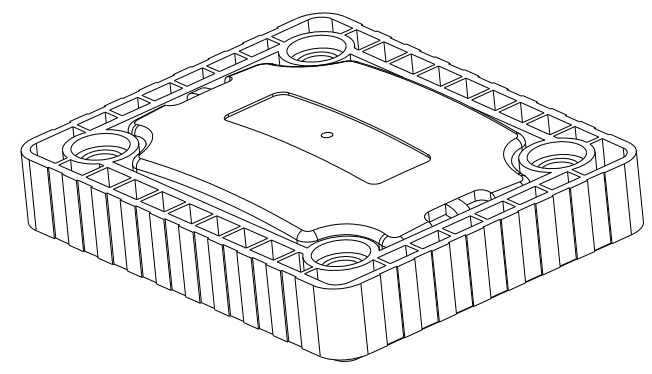
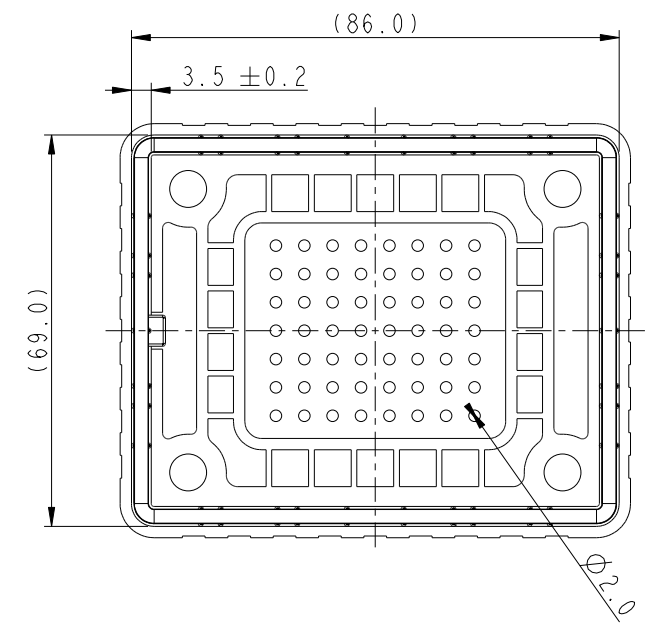
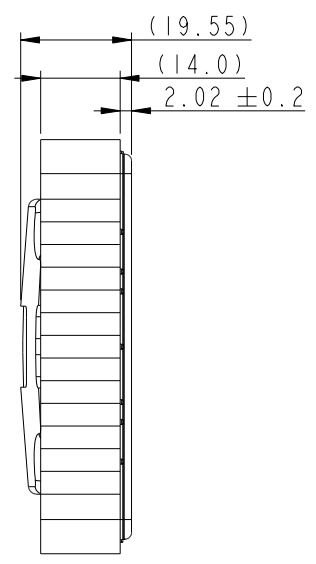
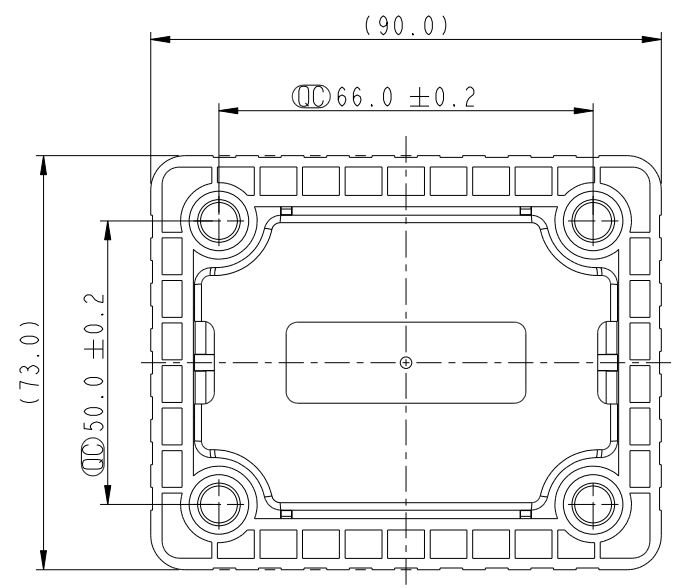


THIS DOCUMENT IS SUBJECT TO CHANGE WITHOUT NOTICE. IT IS CONFIDENTIAL AND A PROPERTY OF Amphenol LTW. DISCLOSURE TO THIRD PARTY HAS TO BE AUTHORIZED BY Amphenol LTW.

REV.	ECN NO.	DATE	SIGN	DESCRIPTION
A		2023-01-06	Kyle Huang	New Item



VENT-PRINBK-08001
 RI: Rectangular — BK: Black

- Note:
- * \varnothing Important Dimension.
 - * Waterproof Rate: IP68(2m/1h), IP69K
 - * Body: Thermal Plastic, Black, UL94V-0
 - * Membrane: ePTFE
 - * O-Ring: Silicone, UL94V-0
 - * Air Permeability: >10000ml/min@70mbar
 - * Opening Pressure: 30±5KPa
 - * Recommended Torque: 2.0~3.0 N.m
 - * Recommended use screw size: M6

UNIT: mm TOLERANCE .X ±0.25 .XX ±0.1 .XXX ±0.05 ANGLES ±1°		TITLE		Amphenol LTW 安費諾亮泰企業股份有限公司	ITEM NO.	DRAWN BY	DATE
		VENT, RECTANGULAR, PIERCING TYPE			VENT-PRINBK-08001	Kyle Huang	2023-01-06
		SCALE 3:4	SIZE A4		SHEET 1 OF 1	DWG NO. VENT-PRINBK-08001	CHECKED BY Fisher Wang
REV. A	WC-REV. .0	\varnothing : Inspection item	CUSTOMER	APPROVED BY Max Yang	DATE 2023-01-06	ALTW	