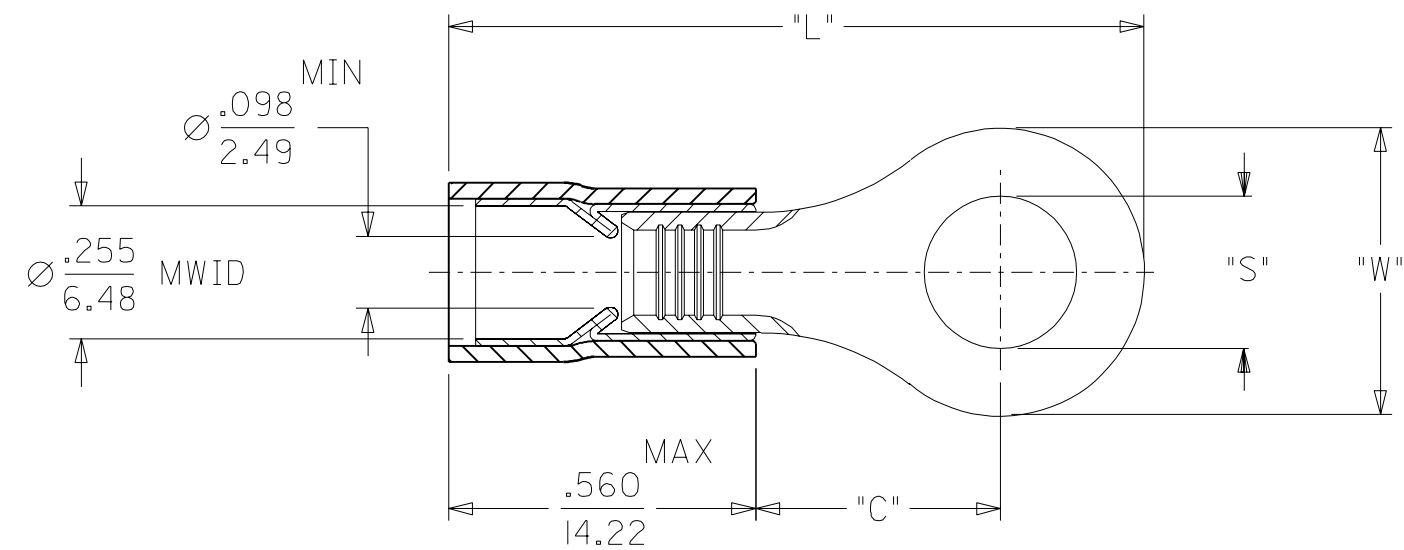
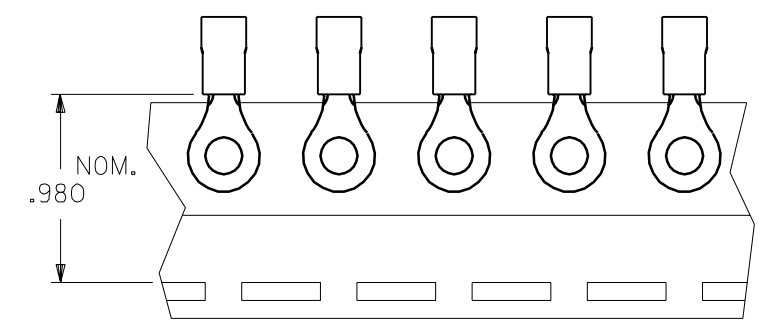


MATERIAL NUMBER	ALTERNATE NUMBER	STUD SIZE	"S"	"W" MAX	"C" MIN	"L" MAX	PACKAGING
190580061	B-830-10HDX	10	.198 (5.02)	.760 (19.30)	.316 (8.06)	1.248 (31.70)	LOOSE PIECE
190580069	B-830-14HDX	1/4	.265 (6.73)	.760 (19.30)	.316 (8.06)	1.248 (31.70)	
190580078	B-830-56HDX	5/16	.328 (8.33)	.760 (19.30)	.316 (8.06)	1.248 (31.70)	
190580071	B-830-38HDX	3/8	.390 (9.91)	.760 (19.30)	.316 (8.06)	1.248 (31.70)	
190580087	B-836-04HDX	4	.515 (13.08)	.292 (7.42)	.423 (10.74)	1.077 (27.36)	
190580091	B-836-06HDX	6	.123 (3.12)	.292 (7.42)	.423 (10.74)	1.077 (27.36)	
190580095	B-836-08HDX	8	.146 (3.70)	.292 (7.42)	.423 (10.74)	1.077 (27.36)	
190580062	B-830-10HDX T	10	.198 (5.02)	.760 (19.30)	.316 (8.06)	1.248 (31.70)	
190580070	B-830-14HDX T	1/4	.265 (6.73)	.760 (19.30)	.316 (8.06)	1.248 (31.70)	
190580079	B-830-56HDX T	5/16	.328 (8.33)	.760 (19.30)	.316 (8.06)	1.248 (31.70)	
190580088	B-836-04HDX T	4	.515 (13.08)	.292 (7.42)	.423 (10.74)	1.077 (27.36)	
190580092	B-836-06HDX T	6	.123 (3.12)	.292 (7.42)	.423 (10.74)	1.077 (27.36)	
190580096	B-836-08HDX T	8	.146 (3.70)	.292 (7.42)	.423 (10.74)	1.077 (27.36)	



- NOTES:
1. MATERIAL: COPPER
PLATING: ELECTROPLATE TIN
 2. FERRULE: TIN-PLATED BRASS
 3. INSULATION: BLUE NYLON
 4. MWID=MAXIMUM WIRE INSULATION DIA.
 5. ALL DIMENSIONS IN INCHES/(MM).

CUSTOMER DRAWING

DIMENSIONS SHOWN (METRIC) INCH		REVISE ONLY ON CAD SYSTEM																					
UNLESS OTHERWISE SPECIFIED TOLERANCES: ANGULAR $\pm 1/2^\circ$		TITLE AVIKRIMP EXPANDED RING TONGUE TERMINAL HEAVY DUTY 16-14 AWG																					
<table border="1"> <thead> <tr> <th></th> <th>INCH</th> <th>METRIC</th> </tr> </thead> <tbody> <tr> <td>3 PLACE</td> <td>$\pm .005$</td> <td>$\pm ---$</td> </tr> <tr> <td>2 PLACE</td> <td>$\pm .01$</td> <td>± 0.13</td> </tr> <tr> <td>1 PLACE</td> <td>$\pm ---$</td> <td>± 0.25</td> </tr> </tbody> </table>			INCH	METRIC	3 PLACE	$\pm .005$	$\pm ---$	2 PLACE	$\pm .01$	± 0.13	1 PLACE	$\pm ---$	± 0.25	<table border="1"> <tr> <td colspan="2">molex ETC INC. PINELLAS PARK, FLA. 33781 U.S.A.</td> <td>SHEET NO. 1 OF 1</td> <td>DATE 00/09/29</td> </tr> <tr> <td colspan="2">PART NO. SEE TABLE</td> <td colspan="2">DRWG. NO. SD-19058-003</td> </tr> </table>		molex ETC INC. PINELLAS PARK, FLA. 33781 U.S.A.		SHEET NO. 1 OF 1	DATE 00/09/29	PART NO. SEE TABLE		DRWG. NO. SD-19058-003	
	INCH	METRIC																					
3 PLACE	$\pm .005$	$\pm ---$																					
2 PLACE	$\pm .01$	± 0.13																					
1 PLACE	$\pm ---$	± 0.25																					
molex ETC INC. PINELLAS PARK, FLA. 33781 U.S.A.		SHEET NO. 1 OF 1	DATE 00/09/29																				
PART NO. SEE TABLE		DRWG. NO. SD-19058-003																					
DRAFT WHERE APPLICABLE MUST REMAIN WITHIN DIMENSIONS		THIS DRAWING CONTAINS INFORMATION THAT IS PROPRIETARY TO MOLEX-ETC INC. AND SHOULD NOT BE USED WITHOUT WRITTEN PERMISSION.																					
DRWG. BY EDB	CHK'D. BY RWD	FILE NAME SD19058003 DGN	DIV. SIZE ET B																				
APP'D. BY RWD	SCALE NO:NE																						

A	NEW CUST. DWG. ETC2001-0196 2000/11/17 EDB
LTR.	REVISIONS