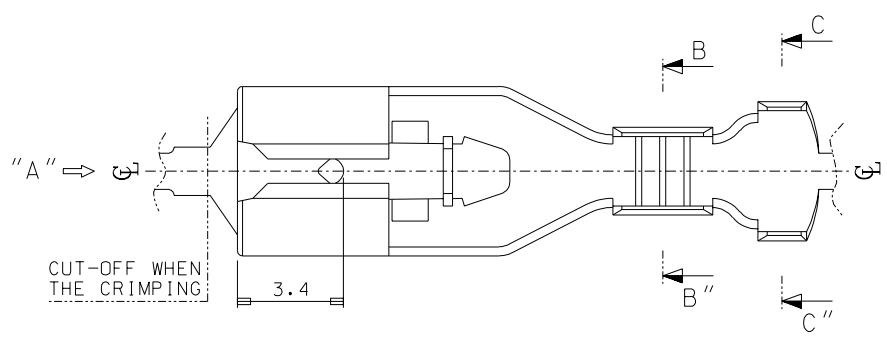


DO NOT SCALE DRAWING DIMENSION IN METRIC

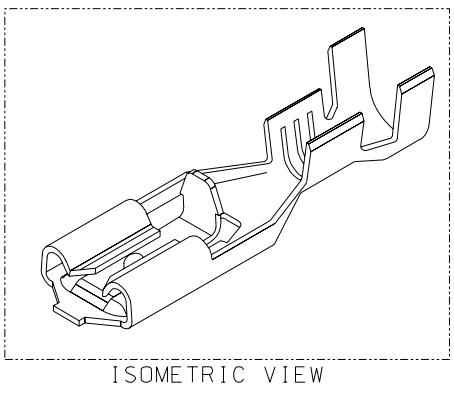
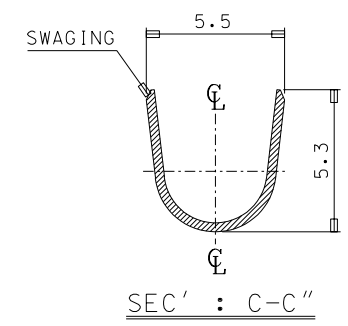
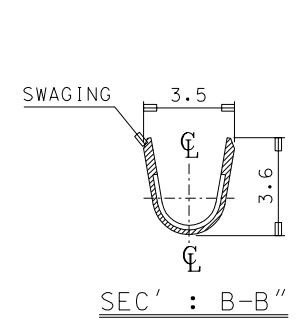
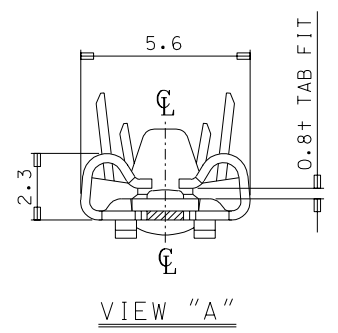
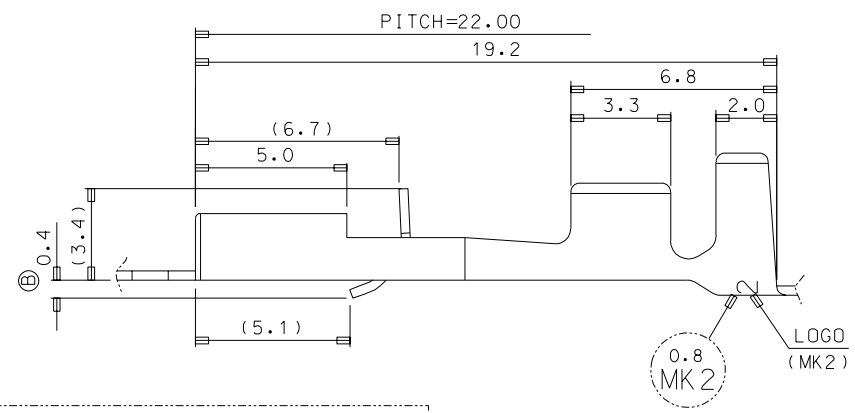
PROJECT NO. .187 P-LOCK CONN'

SIMILAR ITEM

DWG. NO. SD 35068-982



- NOTES
1. MATERIAL : BRASS . 0.30mm THICKNESS
  2. FINISH : PRE-PLATED TIN
  3. MATING TAB THICKNESS : 0.80 mm
  5. RECOMMENDED LENGTH OF WIRE STRIP IS 4.5-5.0mm.
  6. APPLICABLE WIRE : AWG #20-#16  
INSULATION DIA. :  $\varnothing$ 1.9-3.4mm



REVISED EC NO. KDR2003-0022 DRWN: C.-B. CHIN 02/07/18 CHK: W. Y. YANG APPR: C. W. LEE	MAJOR △=0 CRITICAL ▽=0	QUALITY SYMBOLS		GENERAL TOLERANCES: (UNLESS SPECIFIED)	SCALE 6/1	DESIGN UNITS <input checked="" type="checkbox"/> mm <input type="checkbox"/> INCH	THIRD ANGLE PROJECTION	DIMENSIONS: <input type="checkbox"/> mm <input type="checkbox"/> INCH <input checked="" type="checkbox"/> mm ONLY	SHT	REV
		4 PLACES	±0.	±.	DRAWN BY & DATE J. S. KANG 97/12/01	TITLE: .187 MP-LOCK TM'L(M) (0.8+ TAB FIT)				
B1	DESCRIPTION	3 PLACES	±0.	±.	CHECKED BY & DATE B. K. CHOI 97/12/01	MOLEX INCORPORATED				
		2 PLACES	±0.2	±.	APPROVED BY & DATE W. Y. YANG 97/12/01	CAD FILENAME s35068b.dgn	MATERIAL NO. 350689822	DRAWING NO. SD-35068-982	SHEET NO. 1 of 1	
	REV	ANGULAR: ± 1°		DRAFT WHERE APPLICABLE MUST REMAIN WITHIN DIMENSIONS		THIS DRAWING CONTAINS INFORMATION THAT IS PROPRIETARY TO MOLEX INCORPORATED AND SHOULD NOT BE USED WITHOUT WRITTEN PERMISSION.			SIZE B	