

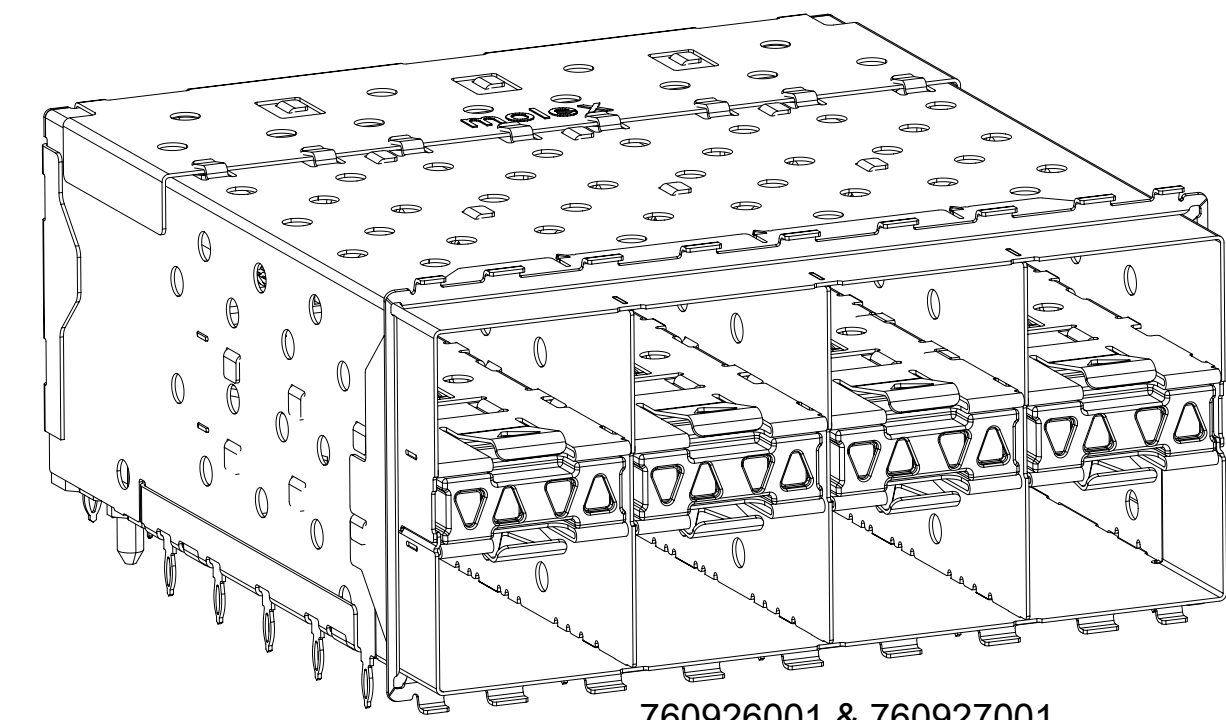
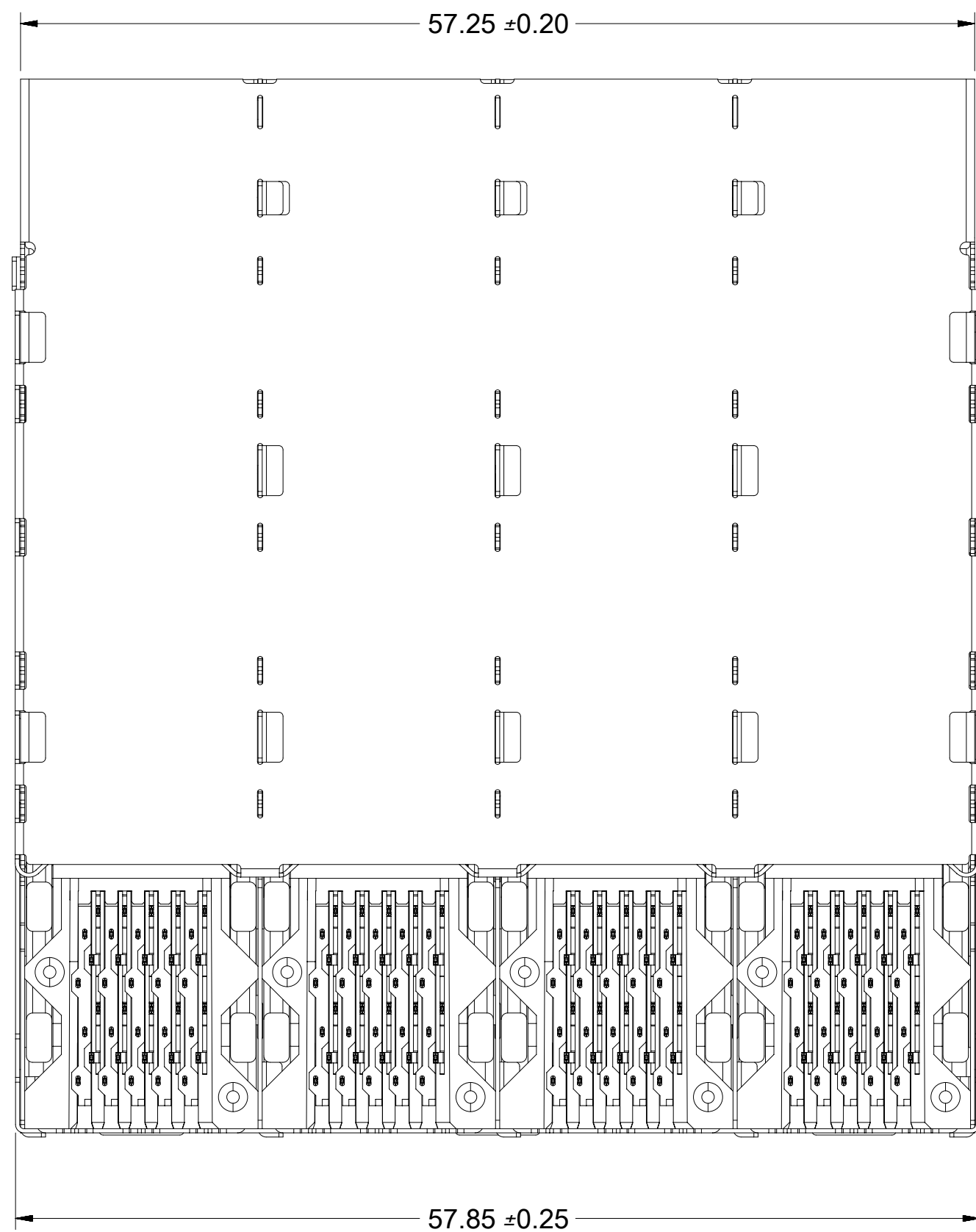
- NOTES:**
- MATERIAL:**
 - CAGE: NICKEL SILVER, THICKNESS: 0.25mm
 - CAGE FLANGE: STAINLESS STEEL
 - CONNECTOR HOUSING: GLASS FILLED LIQUID CRYSTAL POLYMER (LCP), UL 94V-0, COLOR: BLACK
 - OVERMOLD TERMINAL HOUSING: GLASS FILLED LIQUID CRYSTAL POLYMER (LCP), UL 94V-0, COLOR: BLACK
 - TERMINALS: TIN BRASS
 - EMI GASKET: CONDUCTIVE ELASTOMER
 - LIGHTPIPE HOUSING: ZINC
 - LIGHTPIPES: POLYCARBONATE, 94HB, COLOR: CLEAR (WEIGHT OF INDIVIDUAL LIGHTPIPE LESS THAN 1 GRAM) (PER TELCORDIA-GR-63-CORE-ISSUE3, SECTION 4.2.3.1; R4-43, DISCRETE STRUCTURAL COMPONENTS CONSTITUTING A FUEL LOAD OF 1 GRAM OR LESS ARE EXEMPT FROM THE REQUIREMENTS OF R4-43(91); UL 94V-0 RATING)

- FINISHES:**
 - TERMINALS: CONTACT AREA: 0.76 MICROMETER MINIMUM HARD GOLD OVER 1.27 MICROMETER MINIMUM NICKEL.
 - COMPLIANT TAIL - MATTE TIN/LEAD OPTION: 0.76 TO 1.52 MICROMETER 90/10 MATTE TIN - LEAD OVER 0.76 MICROMETER MINIMUM NICKEL.
 - COMPLIANT TAIL - MATTE TIN OPTION: 0.76 TO 1.52 MICROMETER MATTE TIN OVER 0.76 MICROMETER MINIMUM NICKEL.
 - LIGHTPIPE HOUSING: 80 MICROMETER MINIMUM NICKEL OVER COPPER
- REFER TO PS-75310-001 PRODUCT SPEC FOR ALL ELECTRICAL, MECHANICAL AND ENVIRONMENTAL SPECIFICATIONS.
- LIGHT PIPE PAD LAYOUT IS FOR 0805 LOW-PROFILE LED PACKAGE, FOR OTHER RECOMMENDED LAYOUTS REFER TO MOLEX'S REPORT TS-75310-001.
- REFER TO PK-75450-001 FOR ALL PACKAGING SPECIFICATIONS.
- ALL EXTERIOR SURFACES TO BE CLASS "B" SURFACE EXCEPT THE UNDERSIDE OF THE CAGE WHERE THE PCB WOULD BE LOCATED AND AS NOTED. THE SURFACES TO CONFORM TO THE MOLEX COSMETIC DOC PS-45499-002.
- REFER TO AS-76090-001 FOR HIGH SPEED ROUTING RECOMMENDATIONS.
- DATE CODE LOCATION IS SHOWN ABOVE.
 - DATE CODE FORMAT: DDDY MX A1
 - DDD = DAY OF THE YEAR
 - Y = YEAR
 - MX = MOLEX
 - A = ALPHA CHARACTER - INDICATES MANUFACTURING LINE
 - 1 = NUMERIC CHARACTER - INDICATES PRODUCTION SHIFT

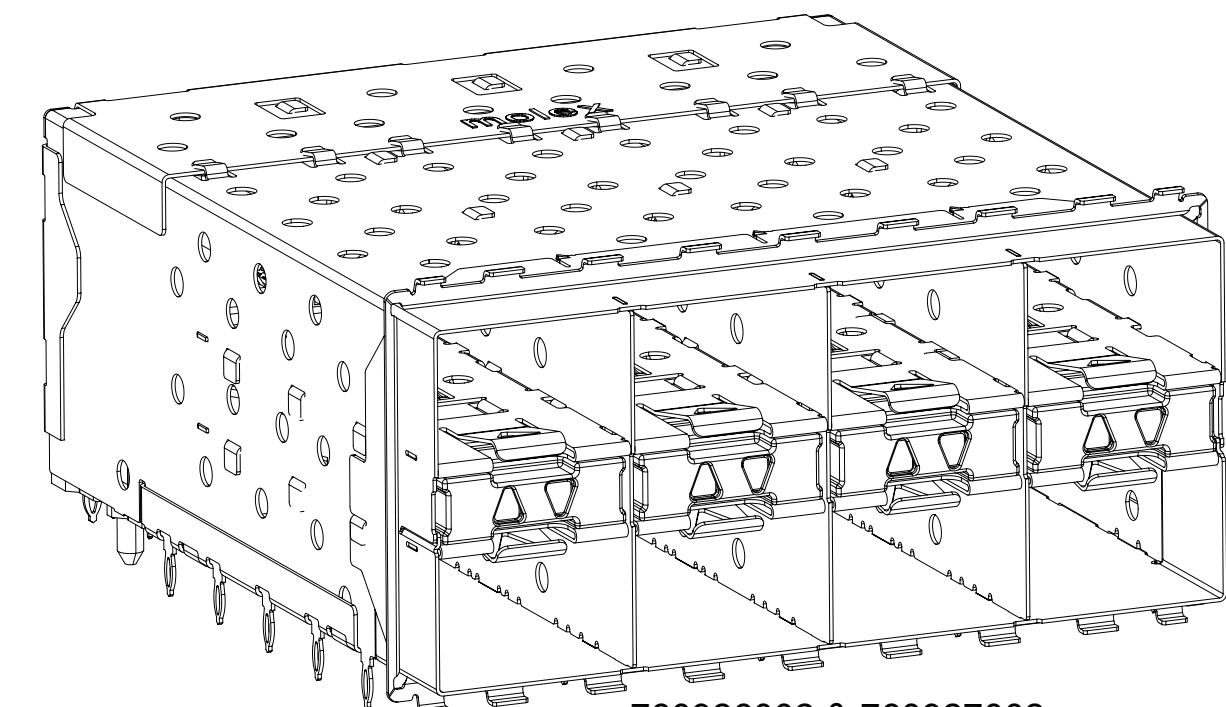
PART NUMBER	DESCRIPTION	VIEW	COMPLIANT TAIL PLATING	CAGE PLATING
760926001	4 LIGHT PORTS	SEE PG 2	MATTE TIN / LEAD	N/A
760926002	INNER 2 PORTS	SEE PG 2	MATTE TIN / LEAD	N/A
760926003	OUTER 2 PORTS	SEE PG 2	MATTE TIN / LEAD	N/A
760927001	4 LIGHT PORTS	SEE PG 2	MATTE TIN	N/A
760927002	INNER 2 PORTS	SEE PG 2	MATTE TIN	N/A
760927003	OUTER 2 PORTS	SEE PG 2	MATTE TIN	N/A

THIS DRAWING CONTAINS INFORMATION THAT IS PROPRIETARY TO MOLEX ELECTRONIC TECHNOLOGIES, LLC AND SHOULD NOT BE USED WITHOUT WRITTEN PERMISSION

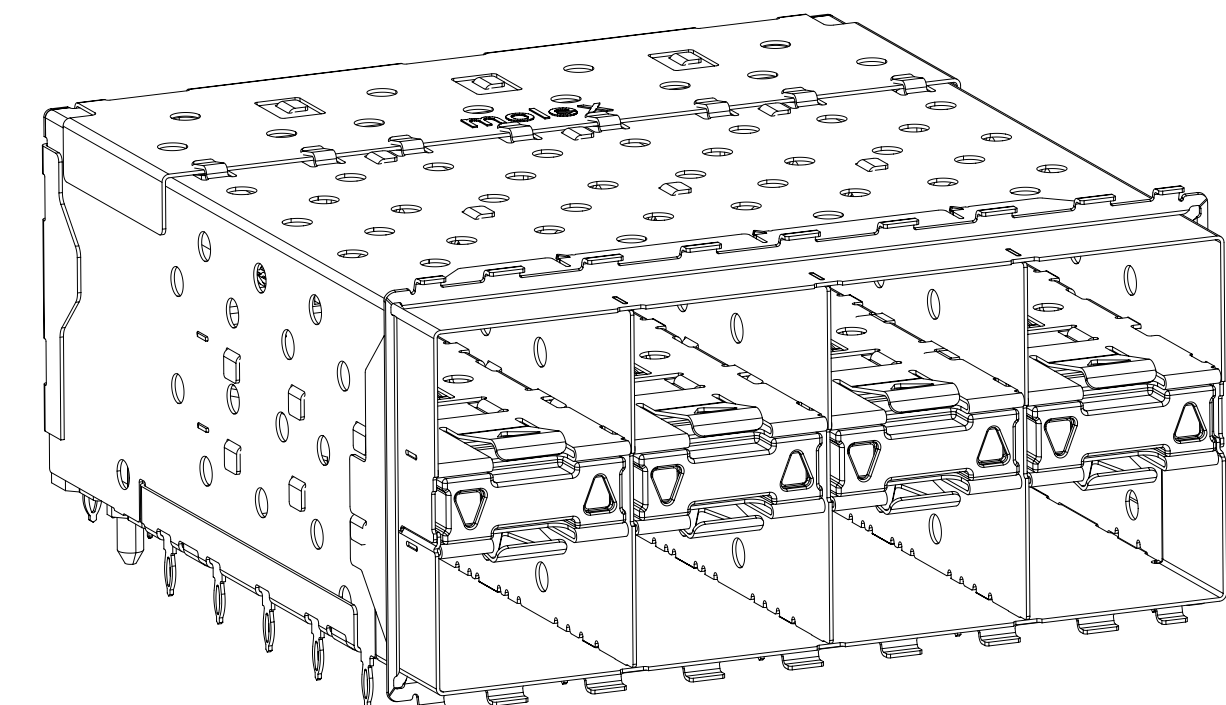
DIMENSION UNITS	SCALE	CURRENT REV DESC: REVISE DRAWING		molex			
mm	3:1						
GENERAL TOLERANCES (UNLESS SPECIFIED)		EC NO: 628957		STACKED SFP+ 2X4 ASSY WITH ELASTOMERIC GASKET LIGHTPIPES- IMPROVED EMI			
ANGULAR TOL	± 0.5°	DRWN: JWALLACE01	2019/02/12				
4 PLACES	±	CHK'D: JKACHLIC	2019/12/12	PRODUCT CUSTOMER DRAWING			
3 PLACES	±	APPR: JKACHLIC	2019/12/12				
2 PLACES	± 0.13	INITIAL REVISION:		DOCUMENT NUMBER			
1 PLACE	± 0.25	DRWN: JJANTELEZIO	2009/11/02				SD-76092-006
0 PLACES	±	APPR: MBANAKIS	2009/11/18	DOC TYPE	DOC PART	REVISION	
DRAFT WHERE APPLICABLE MUST REMAIN WITHIN DIMENSIONS		THIRD ANGLE PROJECTION	DRAWING	SERIES	MATERIAL NUMBER	CUSTOMER	SHEET NUMBER
			C-SIZE	76092	GENERAL MARKET		1 OF 4



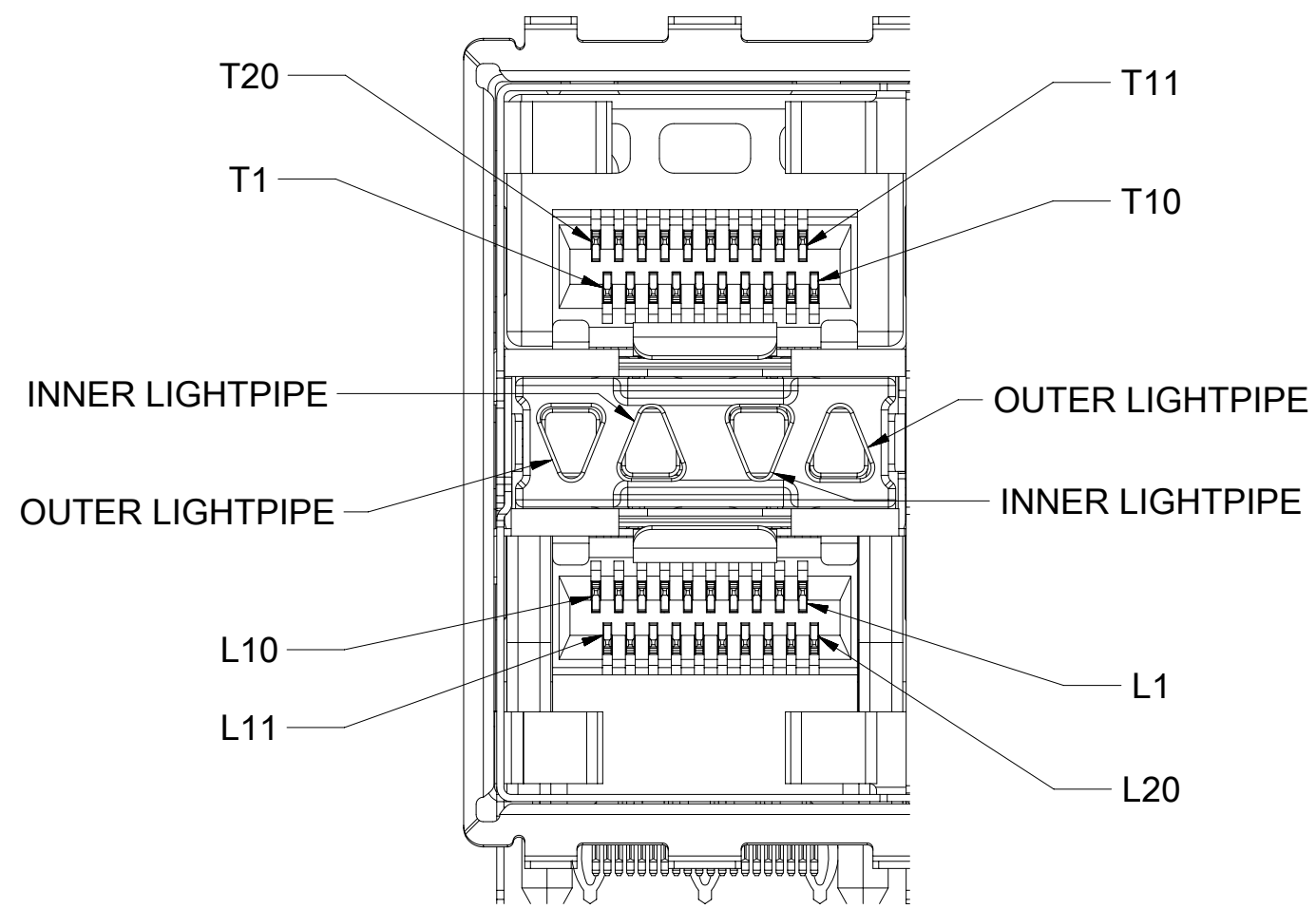
760926001 & 760927001
WITH INNER & OUTER LIGHT PIPE PORTS



760926002 & 760927002
WITH INNER LIGHT PIPE PORTS

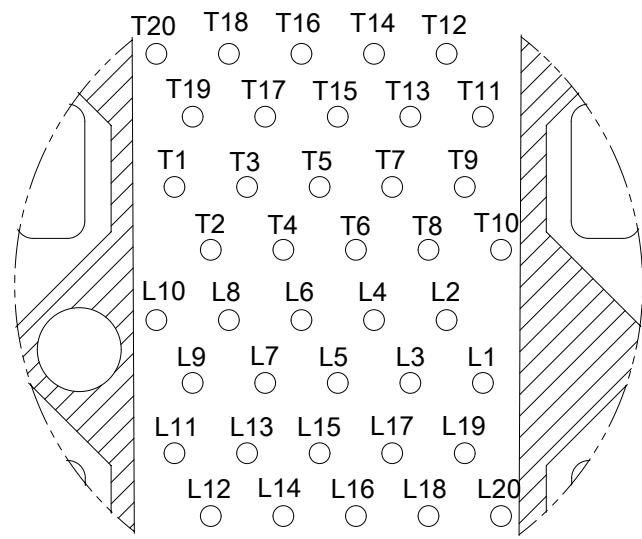


760926003 & 760927003
WITH OUTER LIGHT PIPE PORTS



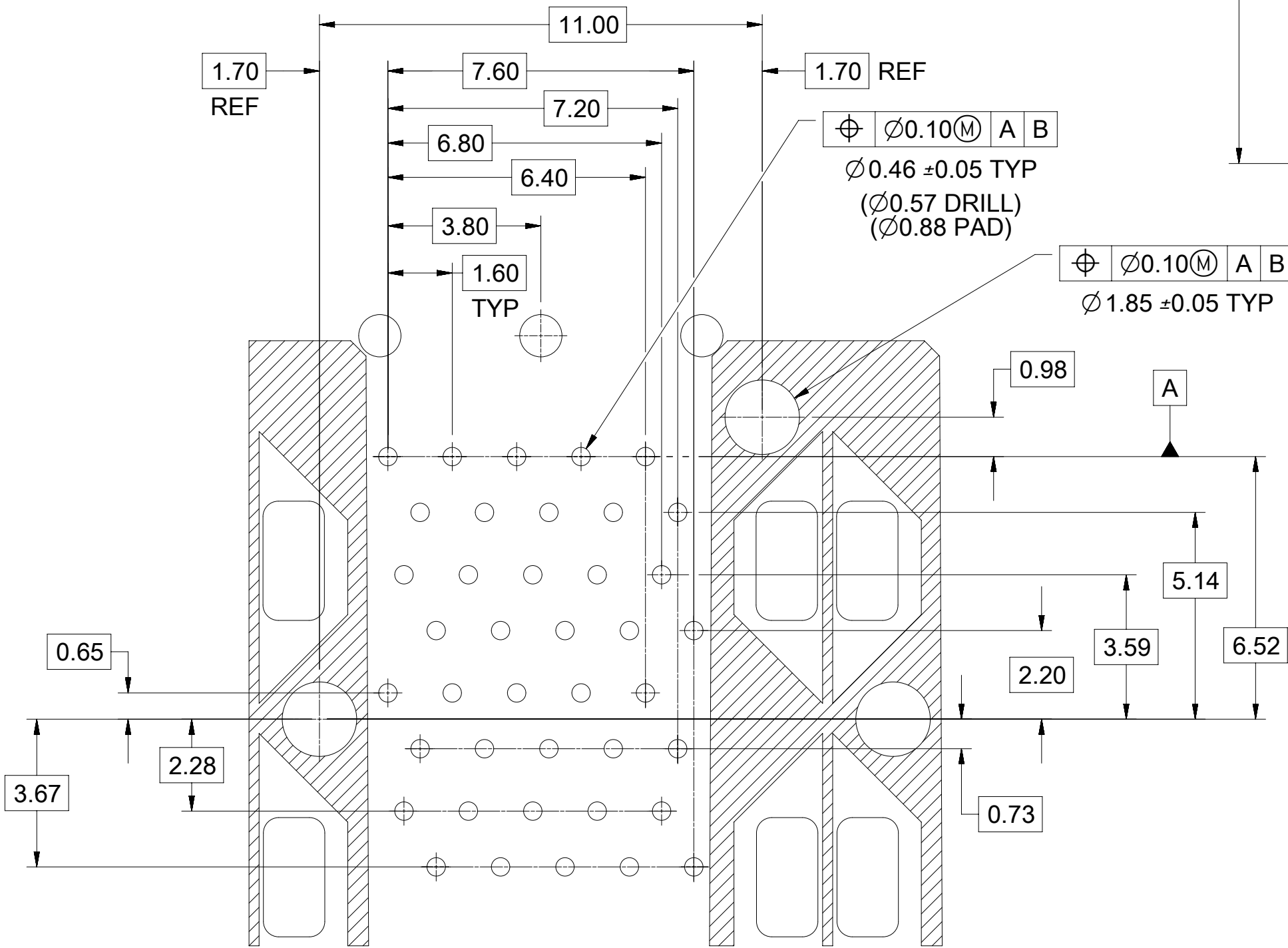
DETAIL B
SCALE 4:1
CIRCUIT NUMBERING
AND LIGHTPIPE
IDENTIFICATION

THIS DRAWING CONTAINS INFORMATION THAT IS PROPRIETARY TO MOLEX ELECTRONIC TECHNOLOGIES, LLC AND SHOULD NOT BE USED WITHOUT WRITTEN PERMISSION																	
DIMENSION UNITS		SCALE		CURRENT REV DESC: REVISE DRAWING													
mm		3:1		<p>molex</p> <p>STACKED SFP+ 2X4 ASSY WITH ELASTOMERIC GASKET LIGHTPIPES- IMPROVED EMI</p> <p>PRODUCT CUSTOMER DRAWING</p> <table border="1"> <tr> <td>DOCUMENT NUMBER</td> <td>DOC TYPE</td> <td>DOC PART</td> <td>REVISION</td> </tr> <tr> <td>SD-76092-006</td> <td>PSD</td> <td>001</td> <td>C1</td> </tr> </table>						DOCUMENT NUMBER	DOC TYPE	DOC PART	REVISION	SD-76092-006	PSD	001	C1
DOCUMENT NUMBER	DOC TYPE	DOC PART	REVISION														
SD-76092-006	PSD	001	C1														
GENERAL TOLERANCES (UNLESS SPECIFIED)																	
ANGULAR TOL ± 0.5°																	
4 PLACES ±																	
3 PLACES ±																	
2 PLACES ± 0.13																	
1 PLACE ± 0.25																	
0 PLACES ±																	
DRAFT WHERE APPLICABLE MUST REMAIN WITHIN DIMENSIONS		THIRD ANGLE PROJECTION		DRAWING		SERIES		MATERIAL NUMBER									
				C-SIZE		76092		GENERAL MARKET									
DOCUMENT STATUS		P1		RELEASE DATE		2019/12/12 07:39:57		SHEET NUMBER									
								2 OF 4									

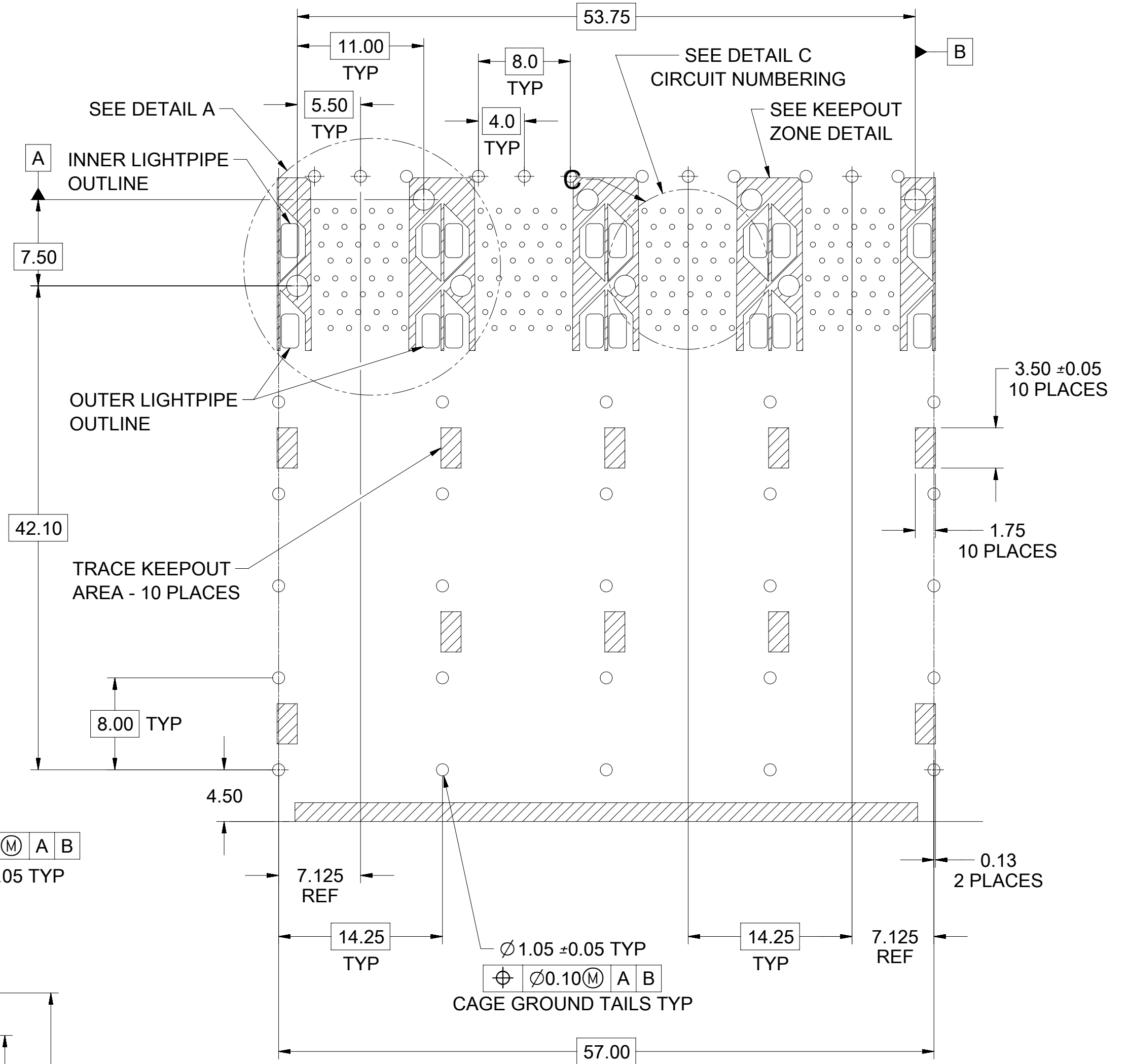


CIRCUIT NUMBERING
COMPONENT SIDE OF BOARD

DETAIL C
SCALE 6:1



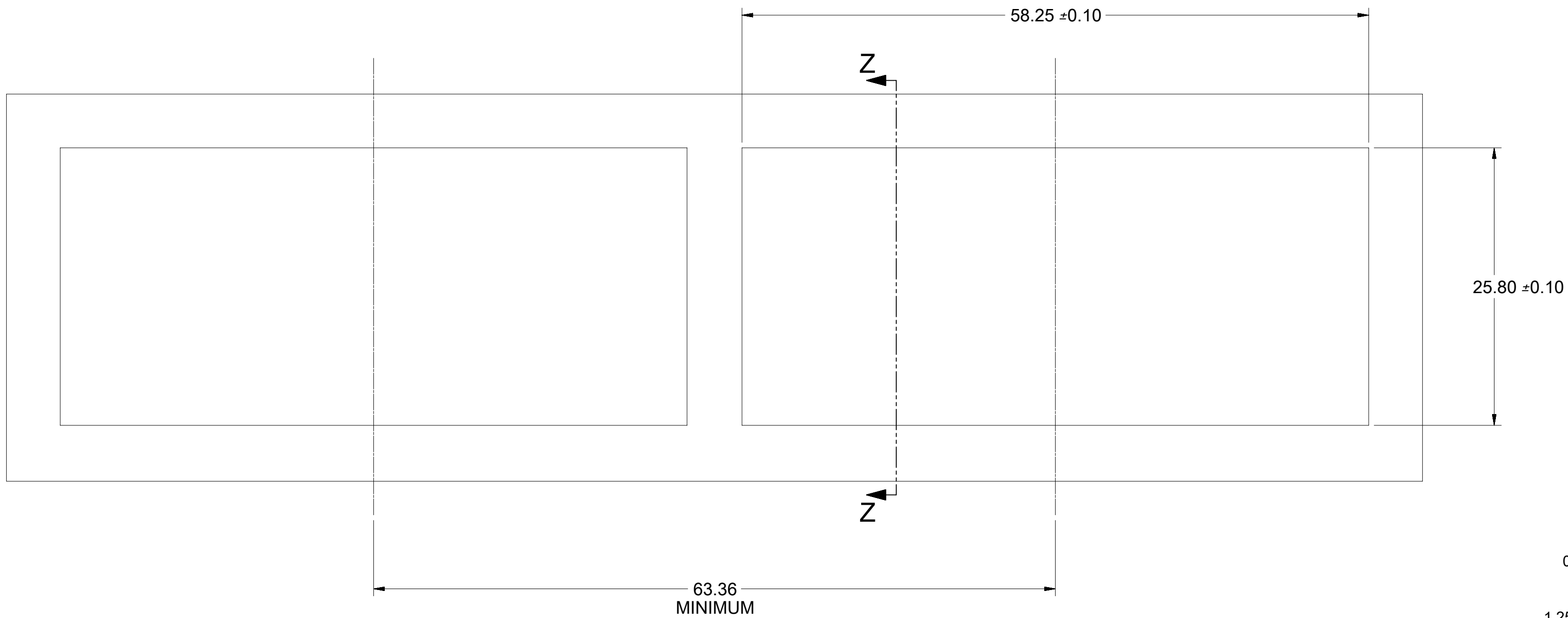
DETAIL A
SCALE 8:1



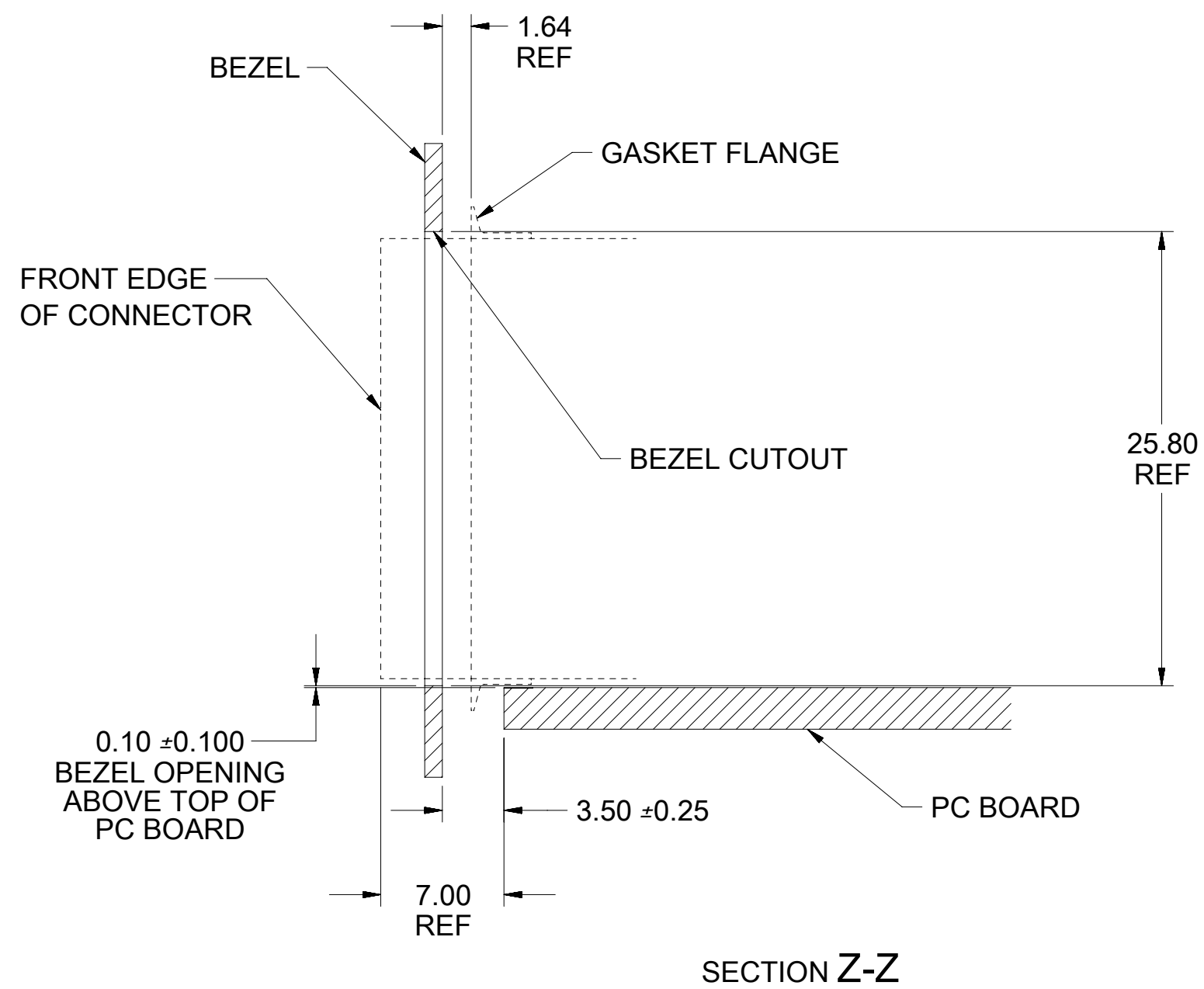
RECOMMENDED PCB LAYOUT - COMPONENT SIDE
MINIMUM PCB THICKNESS OF 1.57 mm
THE ENTIRE AREA OF THE CONNECTOR FOOTPRINT
TO BE CONSIDERED THE KEEP OUT AREA INDICATED
BY DASHED LINE

THIS DRAWING CONTAINS INFORMATION THAT IS PROPRIETARY TO MOLEX ELECTRONIC TECHNOLOGIES, LLC AND SHOULD NOT BE USED WITHOUT WRITTEN PERMISSION

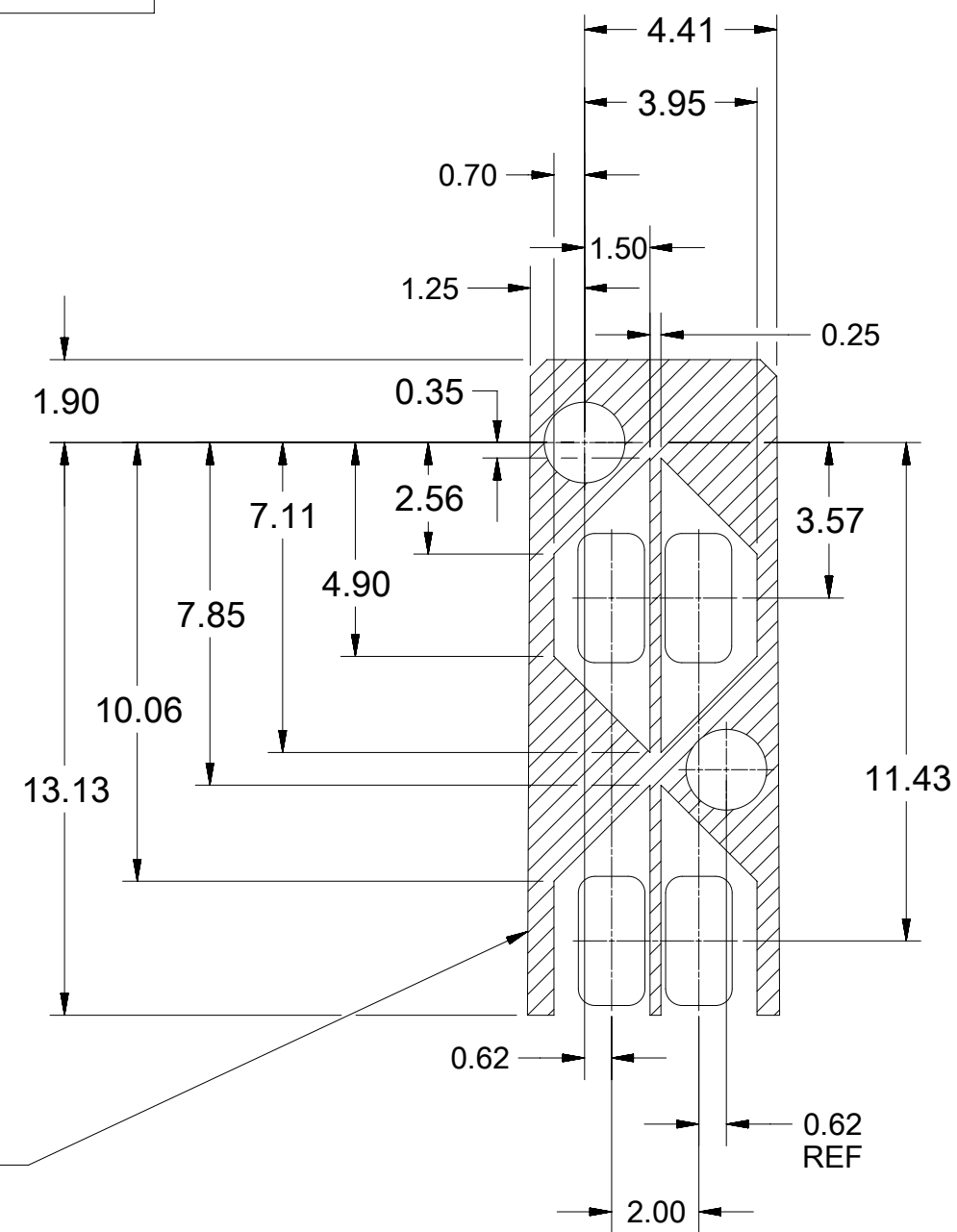
DIMENSION UNITS	SCALE	CURRENT REV DESC: REVISE DRAWING				
mm	3:1					
GENERAL TOLERANCES (UNLESS SPECIFIED)				STACKED SFP+ 2X4 ASSY WITH ELASTOMERIC GASKET LIGHTPIPES- IMPROVED EMI		
ANGULAR TOL	± 0.5°	EC NO:	628957	PRODUCT CUSTOMER DRAWING		
4 PLACES	±	DRWN:	JWALLACE01 2019/02/12	DOCUMENT NUMBER	DOC TYPE	DOC PART
3 PLACES	±	CHK'D:	JKACHLIC 2019/12/12	SD-76092-006	PSD	001
2 PLACES	± 0.13	APPR:	JKACHLIC 2019/12/12	MATERIAL NUMBER	CUSTOMER	SHEET NUMBER
1 PLACE	± 0.25	INITIAL REVISION:		GENERAL MARKET		3 OF 4
0 PLACES	±	DRWN:	JJANTELEZIO 2009/11/02			
DRAFT WHERE APPLICABLE MUST REMAIN WITHIN DIMENSIONS		APPR:	MBANAKIS 2009/11/18			
THIRD ANGLE PROJECTION		DRAWING	SERIES			
		C-SIZE	76092			



BEZEL CUTOUT CENTER SPACING DETAIL
BEZEL THICKNESS 0.8-2.6



THE HATCHED AREA IN THIS VIEW INDICATES ZONES THAT ARE OCCUPIED BY THE PLASTIC HOUSING THAT SEATS AGAINST THE PCB AND BY THE VERTICAL METAL CAGE WALL THAT STOPS JUST SHORT OF THE PCB



KEEPOUT ZONE DETAIL - LIGHTPIPE LOCATION AND OTHER ZONES
SCALE 6:1

THIS DRAWING CONTAINS INFORMATION THAT IS PROPRIETARY TO MOLEX ELECTRONIC TECHNOLOGIES, LLC AND SHOULD NOT BE USED WITHOUT WRITTEN PERMISSION									
DIMENSION UNITS		SCALE		CURRENT REV DESC: REVISE DRAWING					
mm		3:1		molex STACKED SFP+ 2X4 ASSY WITH ELASTOMERIC GASKET LIGHTPIPES- IMPROVED EMI PRODUCT CUSTOMER DRAWING					
GENERAL TOLERANCES (UNLESS SPECIFIED)									
ANGULAR TOL		± 0.5°							
4 PLACES		±							
3 PLACES		±							
2 PLACES		± 0.13		EC NO: 628957		2019/02/12		DRWN: JWALLACE01	
1 PLACE		± 0.25		CHK'D: JKACHLIC		2019/12/12		APPR: JKACHLIC	
0 PLACES		±		INITIAL REVISION:		2019/12/12		DRWN: JJANTELEZIO	
DRAFT WHERE APPLICABLE MUST REMAIN WITHIN DIMENSIONS		THIRD ANGLE PROJECTION		DRAWING		SERIES		MATERIAL NUMBER	
				C-SIZE		76092		SD-76092-006	
DOCUMENT STATUS		P1		RELEASE DATE		2019/12/12 07:39:57		DOC TYPE	
								PSD	
								DOC PART	
								001	
								REVISION	
								C1	
								CUSTOMER	
								GENERAL MARKET	
								SHEET NUMBER	
								4 OF 4	