

ENG. NO SDA-89415-****

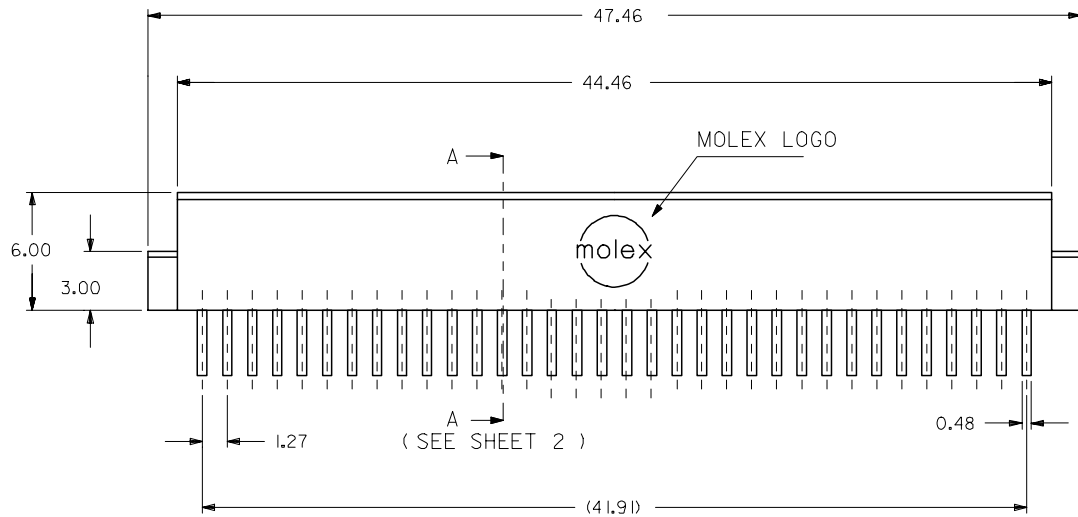
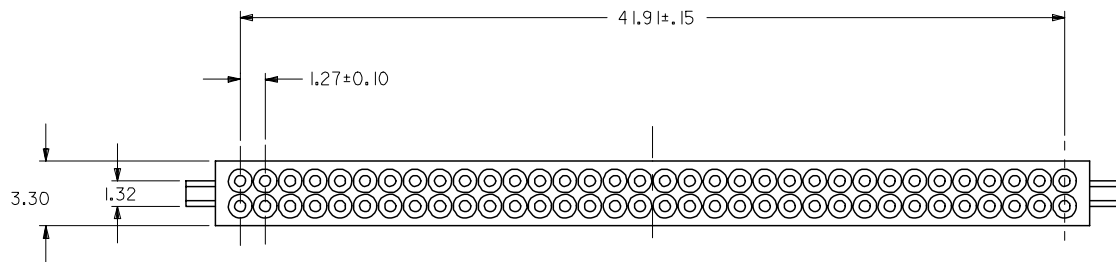
EDP NO.

SIMILAR ITEM

CAD FILE : S89041501

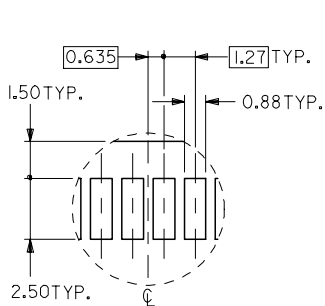
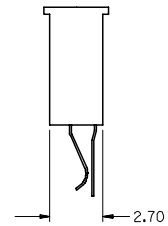
DO NOT SCALE DRAWING

8 7 6 5 4 3 2 1

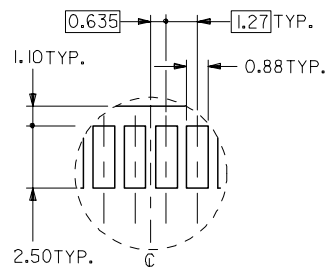


NOTES

1. MATERIAL
HOUSING : HIGH TEMP. PLASTIC
UL94V-0, COLOR: BLACK
TERMINAL: COPPER ALLOY
2. PLATING
CONTACT AREA : Au 0.1 μM MIN. OVER Pd-Ni(80/20)
SOLDER TAIL AREA : PURE TIN 5.0 μM MIN.
UNDERPLATING : Ni 0.5 μM MIN. OVERALL
3. PRODUCT SPEC. REFER TO PS-89415.
4. THE RECOMMENDED PCB THK=0.4MM 0.5MM,
WHEN THE TOTAL THK. OF PCB W/ SOLDER PAST
OVER 0.4MM WILL BE APPLIABLE ,T00.



RECOMMENDED PCB LAYOUT (5:1)



RECOMMENDED PCB LAYOUT (5:1)
(FOR 89415-682* ONLY)

P/N : 89415-68**

- 1: TUBE PACKAGE
- 2: TRAY PACKAGE
- OFFSET TYPE

M	MODIFICATION	SH2005-0223	ALEX SHEN	05/01/12
L	CHANGE 89415-680*	T899-063	THOMAS	981201
K	CHANGE 89415-684*	T99-081	THOMAS	980930
J	REVISE DIM.	T98-243	THOMAS	980608
I	ADD MOLEX LOGO	T98-119	THOMAS	971003
H	ADD TRAY PACKAGE	T98-004	THOMAS	970709
G	PER ECN T97-340		JULIA	970409
F	PER ECN T97-204		JULIA	970204
E	PER ECN T97-142		JULIA	961029
D	PER ECN T97-095		JULIA	961003
LTR	REVISION RECORD	ECN	DR	DATE

MATERIAL :	SEE NOTES	 MOLEX TAIWAN LTD. SHEET 1 OF 2
FINISH :		
WIRE RANGE :		GENERAL TOLERANCES ANGLE : ± 3° DIM : ± .25/-.010
INS. RANGE :		ENG. NO. : SDA-89415-****
DRAWN BY ALEX SHEN 2005/01/12	CHK'D BY Harvey Wang 2005/01/24	REV M
APPR'D BY Vincent 2005/01/24		TITLE : 68 CKT RECEPTACLE -PC CARD KIT (LEAD-FREE)

REVISE ONLY ON CAD SYSTEM

8 7 6 5 4 3 2 1

ENG. NO SDA-89415-****

EDP NO.

SIMILAR ITEM

CAD FILE : S8941502

DO NOT SCALE DRAWING

F

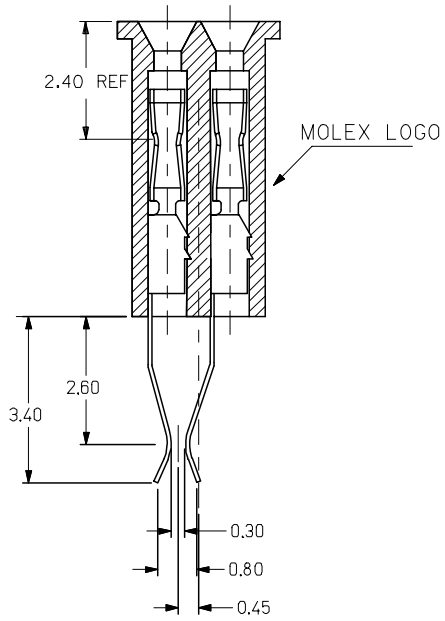
E

D

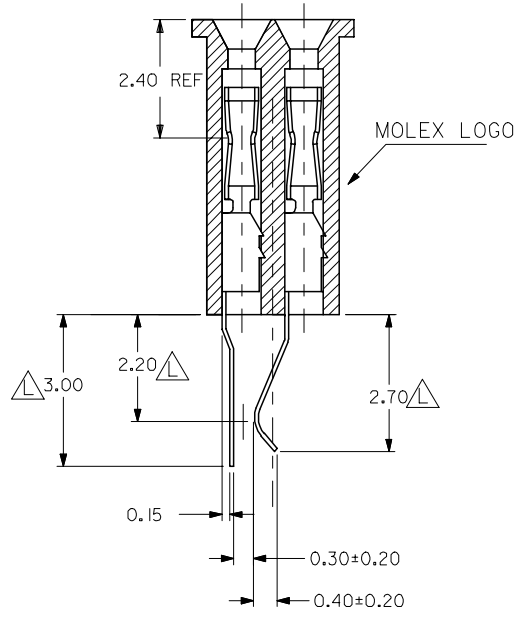
C

B

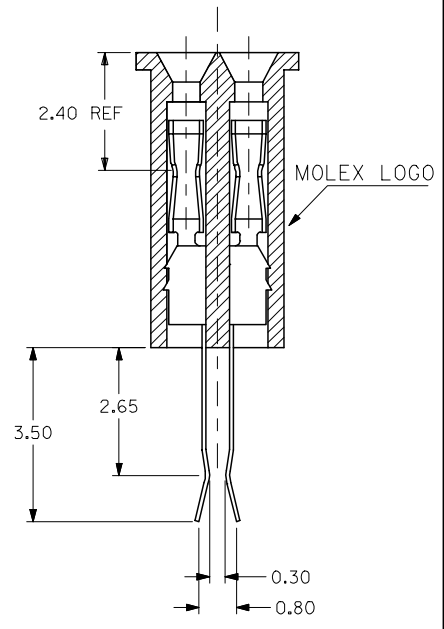
A




$\triangle L$ 89415-680*



$\triangle L$ 89415-682*



$\triangle K$ 89415-684*

M	MODIFICATION	SH2005-0223	ALEX SHEN	05/01/12	MATERIAL :	SEE NOTES	 MOLEX TAIWAN LTD. SHEET 2 OF 2
L	CHANGE	89415-680*	T899-063	THOMAS	981201		
K	CHANGE	89415-684*	T99-081	THOMAS	980930		
J	REVISE DIM.	T98-243	THOMAS	980608	FINISH :		
I	ADD MOLEX LOGO	T98-119	THOMAS	971003	WIRE RANGE :		GENERAL TOLERANCES ANGLE : ± 3° DIM : ± .25/.010
H	ADD TRAY PACKAGE	T98-004	THOMAS	970709	INS. RANGE :		ENG. NO. : SDA-89415-****
G	PER ECN	T97-340		Jul10	970409		REV M
F	PER ECN	T97-204		Jul10	970204		
E	PER ECN	T97-142		Jul10	9601029		
D	PER ECN	T97-095		Jul10	9601003		
LTR	REVISION RECORD	ECN	DR	DATE	DRAWN BY ALEX SHEN 2005/01/12	CHK'D BY Harvey Wang 2005/01/24	TITLE : 68 CKT RECEPTACLE -PC CARD KIT (LEAD-FREE)
REVISE ONLY ON CAD SYSTEM					APPR'D BY Vincent 2005/01/24	SCALE 10 : 1	