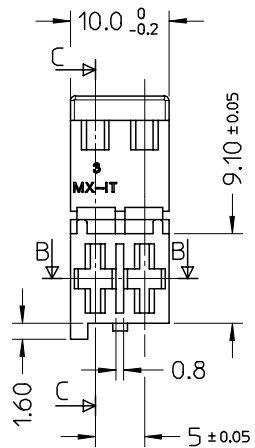
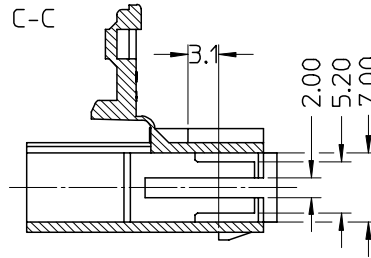


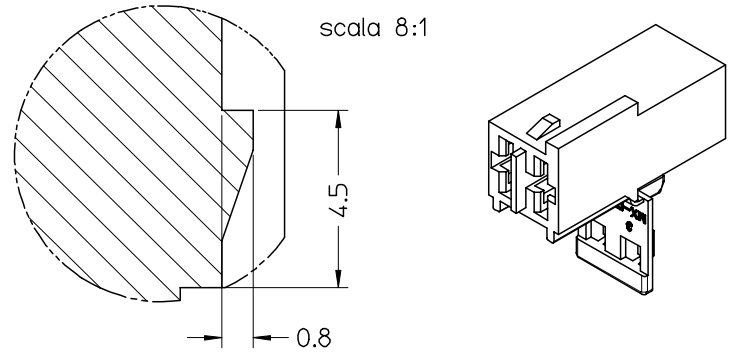
10 9 8 7 6 5 4 3 2 1



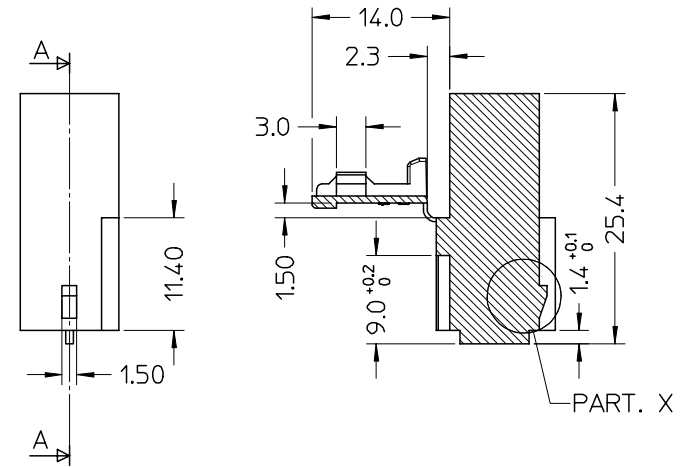
SEZ. C-C



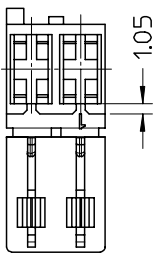
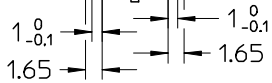
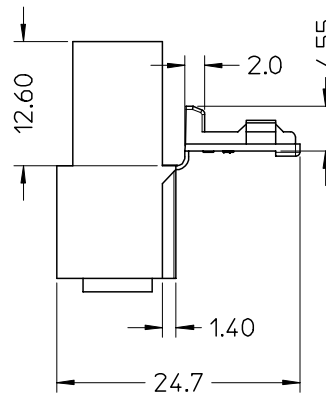
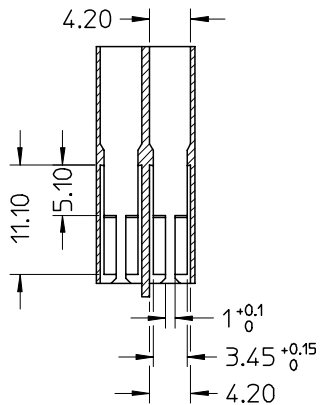
PART. X
scala 8:1



SEZ. A-A



SEZ. B-B



| P/N | MATERIAL/COLOR |
|------------|---|
| 94535-7002 | NYLON 6.6 V2 NATURAL |
| 94535-4002 | NYLON 6.6 GWT 750 °C secIEC 60335-1 TEST METHOD IEC 60695-2-11 NATURAL |

CONFEZIONE: BOX DA 4000 PZ.
PACKAGING: 4000 PCS IN CARTON BOX

SPQ = 4000 PZ.

Std. Descr.: 'FEM HOUSING W/SEC LOCK 2 CKT

| ENTER DESCRIPTION EC NO: Z2006-0187 DRWN:FGOTTARDO 2006/05/08 CHKD:RSANDANO 2006/05/09 APPR:GZUIN 2006/05/15 | QUALITY SYMBOLS ▽=0 ∇=0 | GENERAL TOLERANCES (UNLESS SPECIFIED) | | DIMENSION STYLE MM ONLY | | SCALE | DESIGN UNITS | FIRST ANGLE PROJECTION | |
|---|-------------------------------|---------------------------------------|-------|----------------------------|------------|---|--------------------|------------------------|-----------|
| | | mm | INCH | DRAWN BY | DATE | 4:1 | METRIC | TITLE | |
| DESCRIPTION REV | 4 PLACES | ± --- | ± --- | FGOTTARDO | 2002/06/27 | TITLE HSG 2 CKT WITH SEC.LOCK AND EXTERNAL LATCH | MOLEX INCORPORATED | SD-94535-009 | |
| | 3 PLACES | ± --- | ± --- | CHECKED BY | DATE | | | | |
| | 2 PLACES | ± 0.1 | ± --- | MTESTAGUZZA | 2002/06/27 | | | | |
| | 1 PLACE | ± 0.2 | ± --- | APPROVED BY | DATE | | | | |
| ANGULAR ± 2 ° | | | | GZUIN | 2002/06/27 | MATERIAL NO. | | DOCUMENT NO. | SHEET NO. |
| DRAFT WHERE APPLICABLE MUST REMAIN WITHIN DIMENSIONS | | | | VEDI TABELLA | | | | 1 OF 1 | |
| SIZE A3 THIS DRAWING CONTAINS INFORMATION THAT IS PROPRIETARY TO MOLEX INCORPORATED AND SHOULD NOT BE USED WITHOUT WRITTEN PERMISSION | | | | | | | | | |

9 8 7 6 5 4 3 2 1