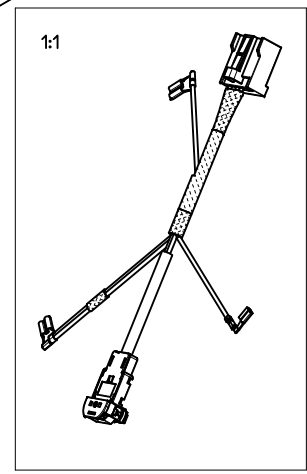
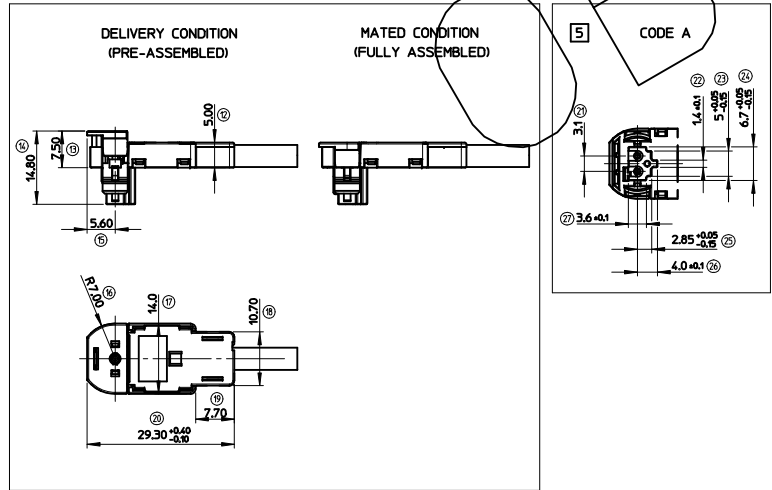


- NOTES:
- 1 - MATERIAL: SEE TABLE
 - 2 - FINISHES: SEE TABLE
 - 3 - MARKING: STAMPED, COLOR BLACK, AUTOLIV DRAWING NUMBER+INDEX+PROD. DATE
 - 4 - BEGINNING AND END: 2-3 LAYERS, WRAPPED ACC. SPEC. S89FG-14101-SA FLAG R17
 - 5 - CONNECTOR INTERFACE ACC. VDA-NORM, BHW-DRAWING 8377 216 REV.D
 - 6 - CONNECTOR ASSURANCE IN GASGENERATOR PRODUCED LIKE FORM 'L', ACC. BHW-DRAWING 8 377 216 REV.D
 - 7 - PACKAGING SPEC: PK-98393-001
 - 8 - WITHDRAWAL FORCE ACC. SDS REQUIREMENTS 110 N min.
 - 9 - WEIGHT OF HARNESS 13x2g
 - 10 - SIGNIFICANT DIMENSION: \dots /SC
 - 11 - CABLE LENGTH WITHOUT TOLERANCE SPECIFIED: ± 5 mm
 - 12 - LAST INSPECTION NUMBER: 27
- THE TOTAL LENGTH AS A SUM OF ITS NOMINAL SINGLE LENGTHS MUST NOT EXCEED A TOLERANCE OF ± 5 mm

WIRE ROUTING					
PLUG No	PIN No	WIRE No	WIRE COLOUR	PLUG No	PIN No
1	1	1	BU	TO	4
	2	2	BK		3
	3	3	VT/BK		2
	4	4	VT		1
2	1	4	VT	1	4
	2	3	VT/BK		3
3	-	2	BK	2	5
	-	5	BK		1
4	-	1	BU	1	1
	-	5	BK		3



98393-3110	8	1	CABLE: FLRY-A, 0.50sqmm, COLOR BLUE.
	7	1	CABLE: FLRY-A, 0.50sqmm, COLOR BLACK.
	6	1	ADHESIVE TAPE: COLOR BLACK.
	5	6	REC TERMINAL: GET-0, COPPER ALLOY, GOLD PLATED.
	4	1	REC TERMINAL: FASTON-FLAG, BRASS, UNPLATED.
	3	2	REC TERMINAL: MP-LOCK-FLAG, UNPLATED.
	2	1	HARNESS SUB-ASSY BLACK: CONNECTOR HOUSING: CODE A, PBT, GLASS FILLED, COLOR: BLACK. CONNECTOR COVER, PBT, GLASS FILLED, COLOR: BLACK. CONNECTOR CPA, PBT, GLASS FILLED, COLOR: RED. REC TERMINAL 10: COPPER ALLOY, GOLD PLATED, THICKNESS=0.3 MICROMETER MINIMUM. FERRITE: CIRCUIT=2, 65 Ohm AT 100 MHz. JACKET CABLE: FLRY-A, 2x0.50sqmm, COLOR YELLOW, SINGLE WIRE COLOR: VIOLET/VIOLET-BLACK.
1	1	REC CONNECTOR: CIRCUIT=6, COLOR YELLOW.	
HARNESS MAT. No (PART No)	ITEM No	QTY (PCS)	DESCRIPTION

EC NO: USY2011-1009 DRWN: JREEVES 2011/06/28 CHKD: APPR: KMONROE 2011/07/01	QUALITY SYMBOLS	GENERAL TOLERANCES (UNLESS SPECIFIED)	SCALE 2:1	DESIGN UNITS METRIC	FIRST ANGLE PROJECTION	REVISE ON CAD ONLY
	0 0	4 PLACES \pm --- \pm --- 3 PLACES \pm --- \pm --- 2 PLACES ± 0.15 \pm --- 1 PLACE ± 5.0 \pm --- ANGULAR $\pm 1/2^\circ$	DIMENSION STYLE MM ONLY	DRAWN BY DATE FINDORAK 2004/10/05	TITLE SQUIB VDA HRNS W/FERRITE SINGLE STAGE	
			DRAFT WHERE APPLICABLE MUST REMAIN WITHIN DIMENSIONS	CHECKED BY DATE NMESTER 2004/10/05	MOLEX MOLEX INCORPORATED	
	APPROVED BY DATE JHOYER 2004/10/05	MATERIAL NO. DOCUMENT NO. SEE TABLE SD-98393-311	SHEET NO. 1 OF 1	THIS DRAWING CONTAINS INFORMATION THAT IS PROPRIETARY TO MOLEX INCORPORATED AND SHOULD NOT BE USED WITHOUT WRITTEN PERMISSION		