

4

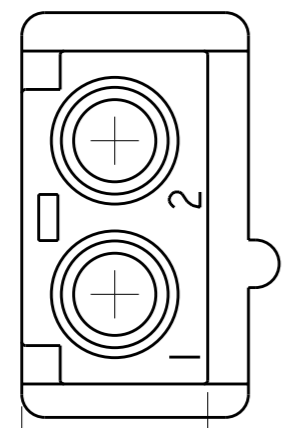
3

2

1

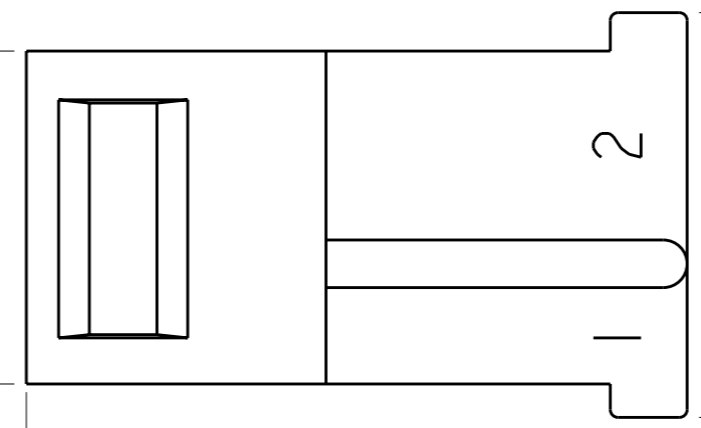
THIS DRAWING IS UNPUBLISHED. RELEASED FOR PUBLICATION 20
 © COPYRIGHT 20 BY TYCO ELECTRONICS CORPORATION. ALL RIGHTS RESERVED.

LOC	DIST	REVISIONS			
P	LTR	DESCRIPTION	DATE	DWN	APVD
CM	00	D1	REVISED PER ECR 12-000628	11JAN12	JR TM



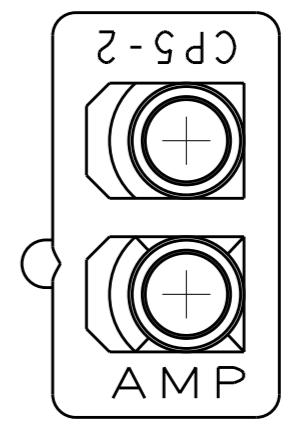
10.97-11.08
[.432-.437]

6.10-6.22
[.240-.245]

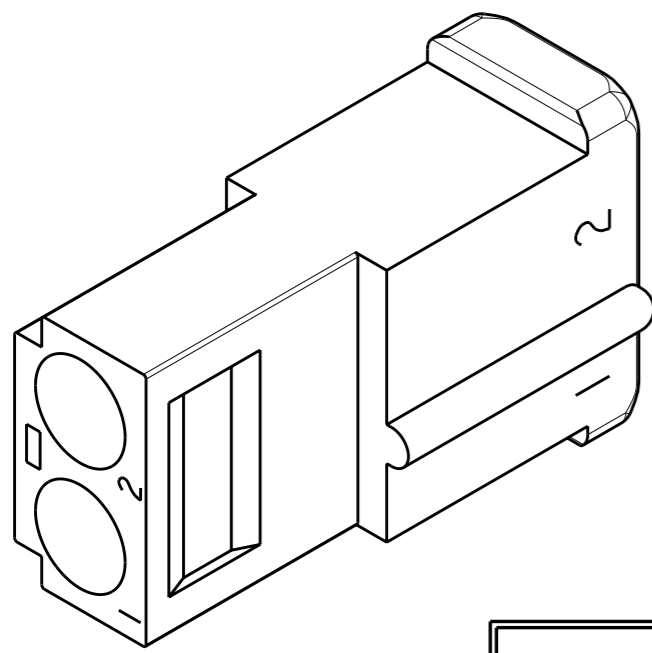


21.84
[.860]

13.39
[.527]



7.49
[.295]



METRIC

1-480393-1
PART NO

<small>THIS DRAWING IS A CONTROLLED DOCUMENT FOR TYCO ELECTRONICS CORPORATION IT IS SUBJECT TO CHANGE AND THE CONTROLLING ENGINEERING ORGANIZATION SHOULD BE CONTACTED FOR THE LATEST REVISION.</small>		DWN K. WHITAKER 16-APR-2003 CHK D. COLEY 16-APR-2003 APVD D. COLEY 16-APR-2003	tyco Electronics Tyco Electronics Harrisburg, PA 17105-3608
DIMENSIONS: mm [INCHES]	TOLERANCES UNLESS OTHERWISE SPECIFIED:	PRODUCT SPEC APPLICATION SPEC WEIGHT	NAME PLUG, 2 CIRCUIT, COMMERCIAL MATE-N-LOK™
	0 PLC ±- 1 PLC ±- 2 PLC ±0.13 [.005] 3 PLC ±- 4 PLC ±- ANGLES ±0° 30'	FINISH -	SIZE A3 CAGE CODE 00779 DRAWING NO C-480393 RESTRICTED TO -
MATERIAL NYLON, UL94V-2, BLACK WEATHER RESISTANT	CUSTOMER DRAWING		SCALE 4:1 SHEET 1 OF 1 REV D1